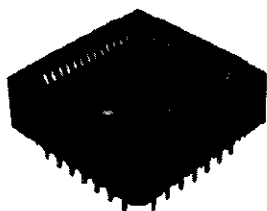
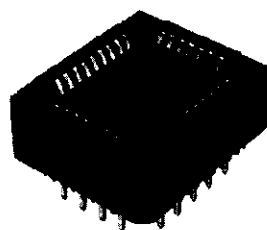


High Pressure Tin (HPT) with Solder Tails (Continued)



Square



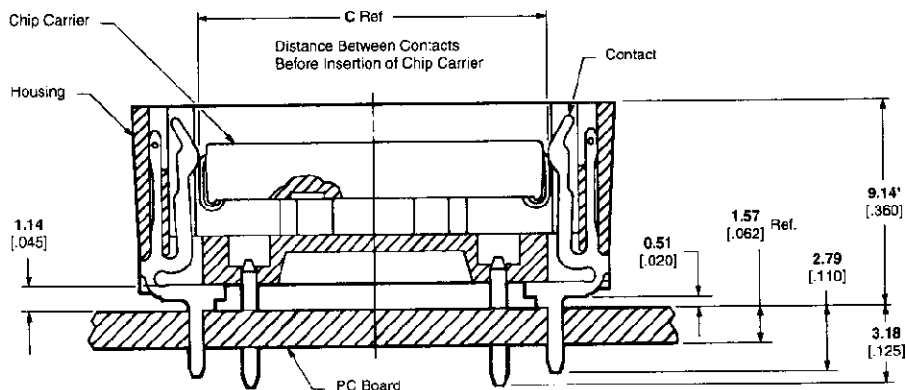
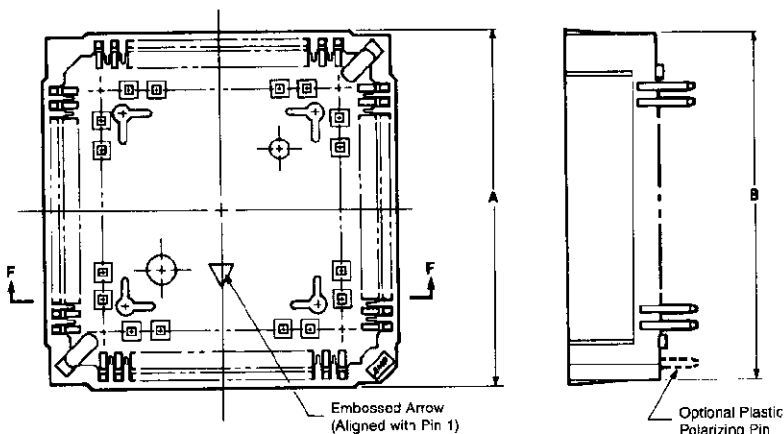
Rectangular

Materials and Finish

Housing Material — PPS or PCT, UL 94V-0 rated

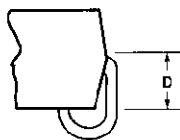
Contacts — Phosphor bronze

Plating — 0.00381 [.000150] min. tin-lead (93-7) over 0.00102 [.000040] min. nickel



Cross-Section F - F

No. of Pos.	Package Configuration	Dimensions			PLCC Dim. D	
		A	B	C	1.40 - 1.91' [.055 - .075]	1.78 - 2.29' [.070 - .090]
20	Square	14.86 .585	14.48 .570	8.99 .354	821815-1	—
28	Square	17.40 .685	17.02 .670	11.53 .454	821581-1	821581-3
32	Rectangular*	See Below			821665-1	—
44	Square	22.48 .885	22.10 .870	16.61 .654	821575-1	821575-3
52	Square	25.02 .985	24.64 .970	19.15 .754	821551-1	821739-3
68	Square	30.10 1.185	29.72 1.170	24.23 .954	821574-1	821574-3
84	Square	35.18 1.385	34.80 1.370	29.31 1.154	821573-1	821573-3



*Packaged in trays.

*Packaged in tubes.

***32 Position Rectangular Dimensions**

A		B		C	
Long Side	Short Side	Long Side	Short Side	Long Side	Short Side
19.94	17.40	19.56	17.02	14.07	11.53
.785	.685	.770	.670	.554	.454

*8.38 [.330] for 32-position rectangular socket.