



## GO 6 WF schwarz/black

Industrial Connectors:Rectangular connectors G-series:Cable socket

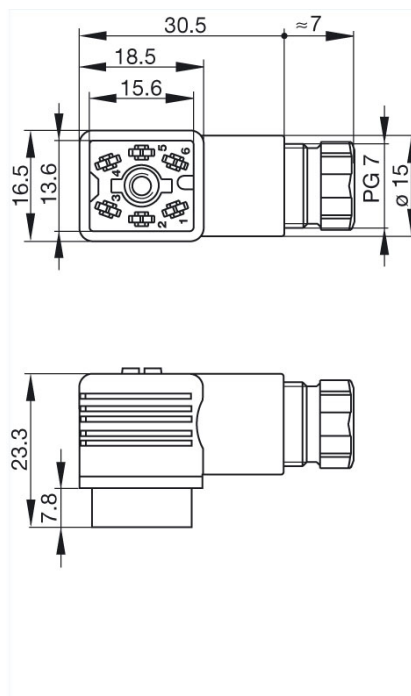
### Delivery informations

Availability	available
Document created at	18.06.2008

### Product description

Description	Cable socket with PG 7 cable gland and solder contacts
Type	GO 6 WF schwarz/black
Order No.	932 447-100
Type of contact	forked spring
Number of contacts	6
Cable gland	PG 7
Conductor size	0.14 - 0.5 mm <sup>2</sup>
Standard	DIN VDE 0627 / IEC 61984
Housing Color	black

### Drawing



### Technical data

Rated voltage	AC/DC 50 V
Rated current	6 A
Contact resistance	$\leq 4$ mOhm
Type of termination	solder
Suitable cables	4 mm to 7.5 mm

### Material

Contact surface material	Sn
Contact bearer material	PA
Housing material	PA
<b>Environmental conditions</b>	
Protection class (IEC 60529)	IP 65
Pollution severity	3
Temperature range	-40 °C to +90 °C
<b>Inflammability class</b>	
Housing	94 V-1
Contact bearer	94 V-1
<b>Packing unit</b>	
Packaging unit	100 pieces
<b>Scope of delivery and accessories</b>	
Scope of delivery	1 cable socket with PG 7 cable gland, 1 central screw M 3 x 20, 1 gasket, not assembled, in polythene bag
Accessories to order separately	can be plugged into GO 6 UM, GO 6 FAV M