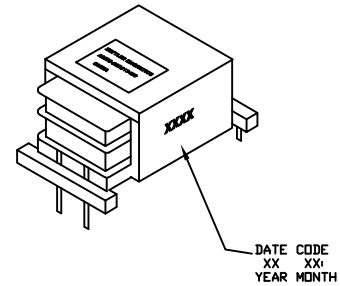


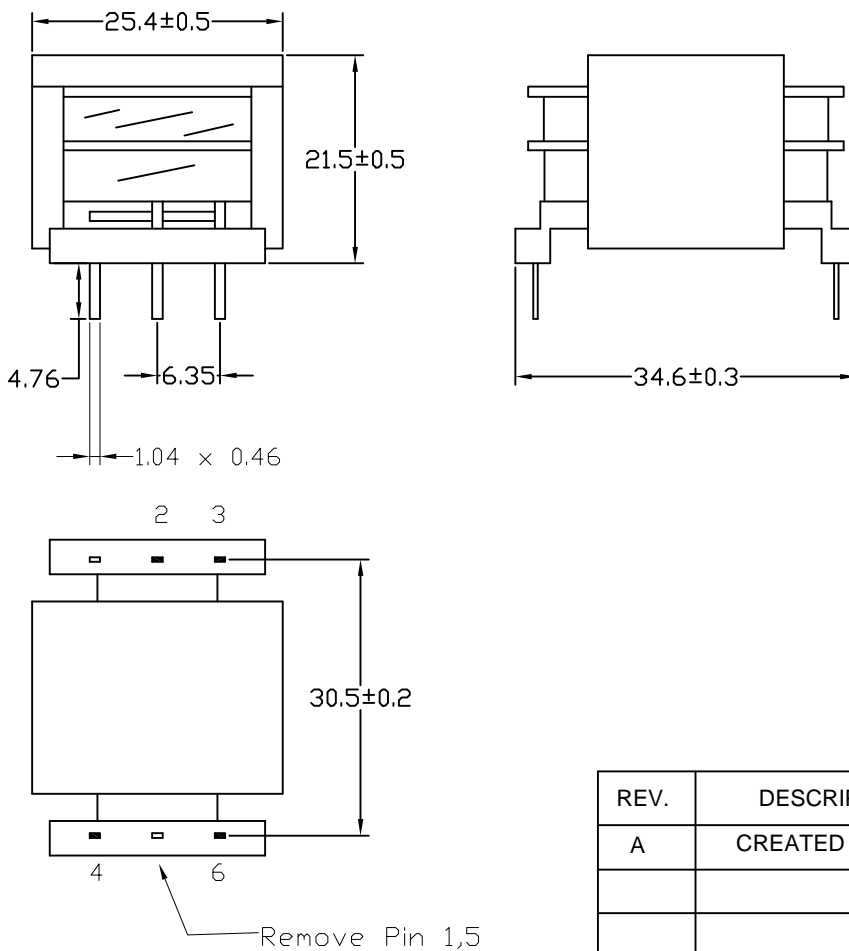
TRANSFORMER,POWER,PCB 1.0VA  
SINGLE 115V PRIMARY AND SINGLE SECONDARY

1. ELECTRICAL SPECIFICATIONS:

- A. Maximum Power: 1.0VA
- B. Input Voltage and Frequency: 120V±10% @ 60Hz
- C. Secondary Voltage: See Electrical Table
- D. Temperature Rise: 45°C MAX allowed
- E. Excitation Current: 25 mA MAX
- F. Hi-Pot: 2500Vrms 1 minute @ Pri. to Sec.  
1500Vrms 1 minute @ Pri. to Core  
1500Vrms 1 minute @ Sec. to Core
- G. MATERIAL: Meets Class B Insulation System ,130°C



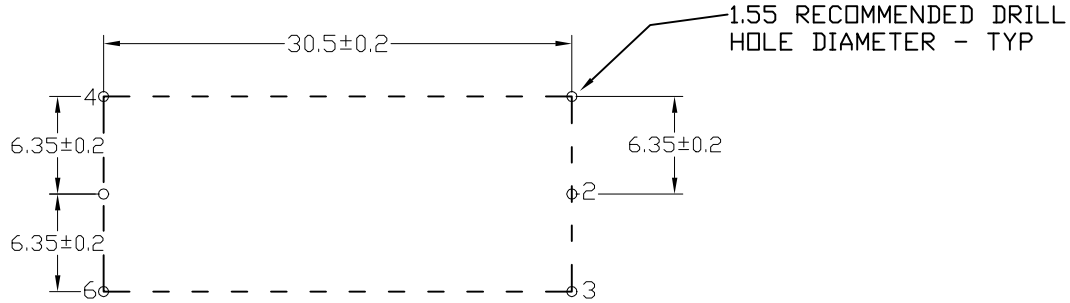
2. MECHANICAL SPECIFICATIONS:



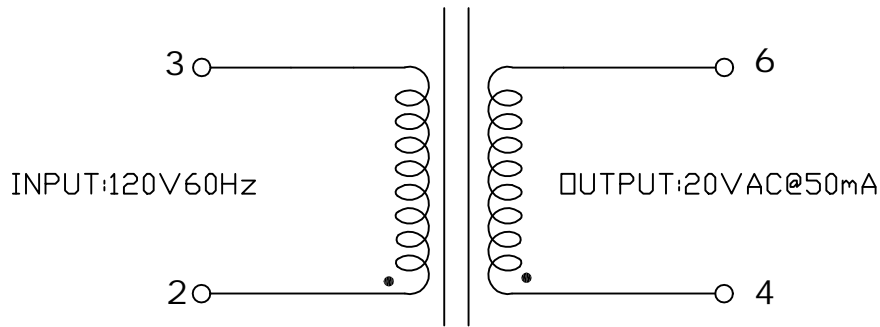
REV.	DESCRIPTION	DRAWN	DATE(M/D/Y)
A	CREATED DRAWING	ZHENG	July 2,2002

TOLERANCE	SCALE NOT 1:1	UNIT mm	DATE (M/D/Y)	MODEL DESCRIPTION	
X	±0.3	DRAWN	ZHENG	July 2, 2002	XIAMEN ZETTLER MATERIAL Class B 130°C MODEL: AMXC-237 PCD SHEET: 1 OF 2
X.X	±0.2	CHECKED	YUZHUY	July 2, 2002	
X.XX	±0.1	QC	LIUZHQ	July 2, 2002	
THICKNESS	/	APPROVED	Roger Ding	July 2, 2002	TITLE AMXC-237 PCD
REV.	A	E:\ACAD\AMXC\AMXC-237PCD			

3. MOUNTING FOOTPRINT:



4. SCHEMATIC DIAGRAM:



5. ELECTRICAL TABLE:

Input	Exciting Current	No load	Load	Current
120V	25mA Max	23.5±3%	20±0.3V	52mA

REV.	DESCRIPTION	DRAWN	DATE(M/D/Y)
A	CREATED DRAWING	ZHENG	July 2,2002

TOLERANCE		SCALE NOT 1:1	UNIT mm	DATE (M/D/Y)	MODEL DESCRIPTION	
X	±0.3	DRAWN	ZHENG	July 2,2002	XIAMEN ZETTLER	MATERIAL Class B 130°C
X.X	±0.2	CHECKED	YUZHUY	July 2,2002		MODEL:
X.XX	±0.1	QC	LIUZHQ	July 2,2002	TITLE AMXC-237 PCD	AMXC-237 PCD
THICKNESS	/	APPROVED	Roger Ding	July 2,2002		SHEET: 2 OF 2
REV.	A	E:\ACAD\AMXC-237\AMXC-237PCD				