

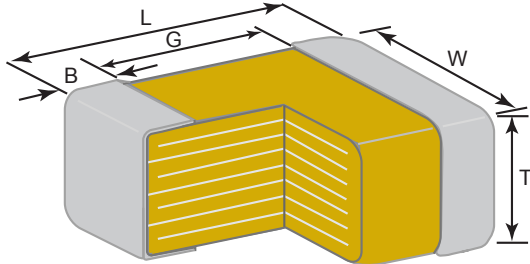
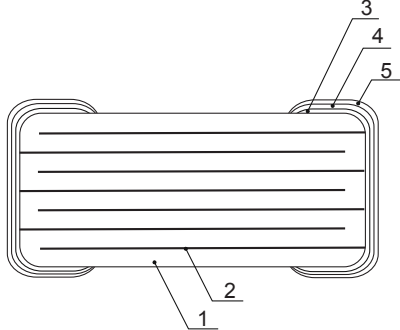
TDK MLCC Datasheet¹

TDK P/N **C3216** **X7R** **1C** **106** **M** **T** **XXXX**

1) 2) 3) 4) 5) 6) 7)

No.	Segment	Detail	Comments
1	Case Size	3.2 x 1.6 mm	See below for dimensions.
2	Temperature Characteristics	-55+125°C ± 15%	Class II ; Conforms to EIA 198
3	Rated Voltage	16V	DC
4	Capacitance	10000000 pF	1.0 ± 0.2 Vrms , 1kHz ± 10%
5	Capacitance Tolerance	± 20%	Conforms to IEC 384-9
6	Packaging Style	Tape and Reel	EIA 481 Format
7	TDK internal Code	XXXX	(Internal TDK use only)
-	Dissipation Factor (DF)	0.05 max.	1.0 ± 0.2 Vrms , 1kHz ± 10%
-	Insulation Resistance	10 MΩ min.	apply rated voltage for 60s

Condition for life : Apply rated voltage at maximum operating temperature +/-2C for 1,000+48, 0h.

Physical Dimensions		Material System							
									
Symbol	Dimensions (mm)	No.	Name	Material					
L	3.2± 0.2			Class I		Class II			
W	1.6 ± 0.2			Pd	TME	Pd	TME		
T	1.6 ± 0.2			TiO2	CaZrO3	BaTiO3			
B	0.2 min.			2	Electrode	Pd	Ni	Pd	Ni
G	1.0 min.			3	Termination	Ag or Ag/Pd	Cu	Ag or Ag/Pd	Cu
		4	Ni						
		5	Sn						

¹ This datasheet gives a basic overview of the multilayer ceramic capacitor as defined in the above TDK part number. A full specification (including part number construction, available capacitance ranges, packaging and caution notes) is available upon request. The information above is subject to change by TDK without any notice.