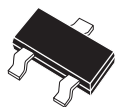


CMPH-3
 CMPH-3A
 CMPH-3C
 CMPH-3S

SURFACE MOUNT
 SILICON SCHOTTKY DIODES



SOT-23 CASE

CentralTM
Semiconductor Corp.

DESCRIPTION:

The Central Semiconductor CMPH-3 series types are Silicon Schottky diodes designed for surface mount fast switching applications requiring a low forward voltage drop.

The following configurations are available:

CMPH-3 SINGLE
 CMPH-3A DUAL, COMMON ANODE
 CMPH-3C DUAL, COMMON CATHODE
 CMPH-3S DUAL, IN SERIES

MARKING CODE: D95
MARKING CODE: DB1
MARKING CODE: DB2
MARKING CODE: DA5

MAXIMUM RATINGS: (T_A=25°C)

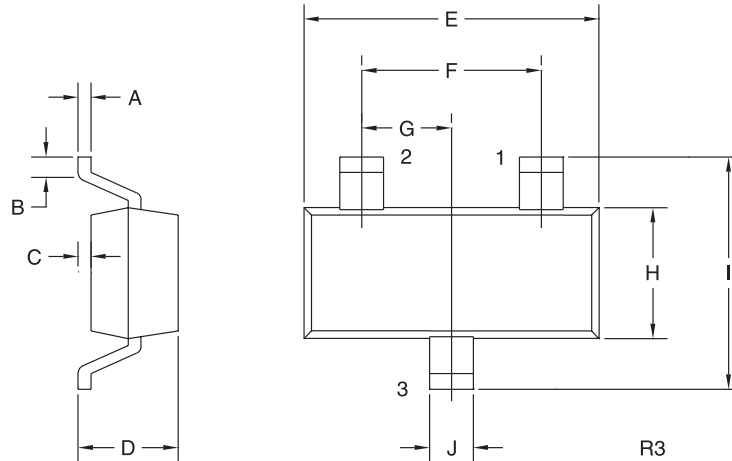
	SYMBOL		UNITS
Peak Repetitive Reverse Voltage	V _{RRM}	30	V
Continuous Forward Current	I _F	100	mA
Peak Repetitive Forward Current	I _{FRM}	350	mA
Forward Surge Current, tp=10 ms	I _{FSM}	750	mA
Power Dissipation	P _D	350	mW
Operating and Storage			
Junction Temperature	T _J , T _{stg}	-65 to +150	°C
Thermal Resistance	θ _{JA}	357	°C/W

ELECTRICAL CHARACTERISTICS PER DIODE: (T_A=25°C unless otherwise noted)

SYMBOL	TEST CONDITIONS	MIN	TYP	MAX	UNITS
BV _R	I _R =100μA	30			V
V _F	I _F =2.0mA		0.29	0.33	V
V _F	I _F =15mA		0.40	0.45	V
V _F	I _F =100mA		0.74	1.00	V
I _R	V _R =25V		90	500	nA
I _R	V _R =25V, T _A =100°C		25	100	μA
C _T	V _R =1.0V, f=1.0 MHz		7.0		pF
t _{rr}	I _F =I _R =10mA, I _{rr} =1.0mA, R _L =100Ω			5.0	ns

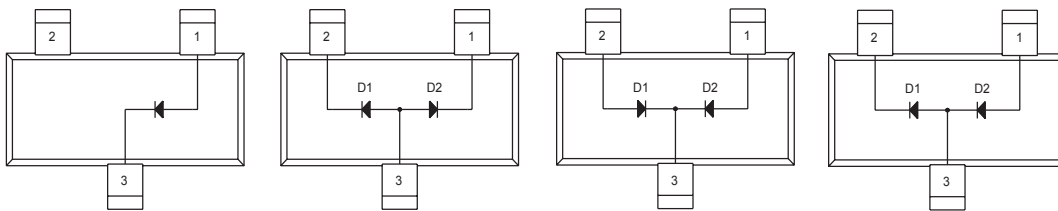
**SURFACE MOUNT
SILICON SCHOTTKY DIODES**

SOT-23 CASE - MECHANICAL OUTLINE



SYMBOL	INCHES		MILLIMETERS	
	MIN	MAX	MIN	MAX
A	0.003	0.007	0.08	0.18
B	0.006	-	0.15	-
C	-	0.005	-	0.13
D	0.035	0.043	0.89	1.09
E	0.110	0.120	2.80	3.05
F	0.075		1.90	
G	0.037		0.95	
H	0.047	0.055	1.19	1.40
I	0.083	0.098	2.10	2.49
J	0.014	0.020	0.35	0.50

SOT-23 (REV: R3)



CMP SH-3

Lead Code:
1) Anode
2) N.C.
3) Cathode

CMP SH-3A

Lead Code:
1) Cathode D2
2) Cathode D1
3) Anode D1, D2

CMP SH-3C

Lead Code:
1) Anode D2
2) Anode D1
3) Cathode D1, D2

CMP SH-3S

Lead Code:
1) Anode D2
2) Cathode D1
3) Anode D1, Cathode D2

R5 (16-June 2003)