

APPLICABLE STANDARD		microSD Memory Card Specifications Ver 1.10			
RATING	OPERATING TEMPERATURE RANGE	-25 °C TO +85 °C (NOTE1)	STORAGE TEMPERATURE RANGE	-40 °C TO +85 °C	
	VOLTAGE	AC 125V	OPERATING HUMIDITY RANGE	95%MAXIMUM (NON-CONDENSING)	
	CURRENT	0.5A			
SPECIFICATIONS					
ITEM	TEST METHOD		REQUIREMENTS	QT	AT
CONSTRUCTION					
GENERAL EXAMINATION	VISUALLY AND BY MEASURING INSTRUMENT.		ACCORDING TO DRAWING.	X	X
MARKING	CONFIRMED VISUALLY.			X	X
ELECTRIC CHARACTERISTICS					
CONTACT RESISTANCE MILLIVOLT LEVEL METHOD IEC60512-2-2a	OPEN VOLTAGE 20 mV AC MAX, TEST CURRENT 1mA.		INITIALLY 100 mΩ MAXIMUM (NOTE 2).	X	-
VOLTAGE PROOF IEC60512-2-4a	500 Vrms AC IS APPLIED FOR 1 MINUTE.		①NO FLASHOVER OR BREAKDOWN. ②CURRENT LEAKAGE 1mA MAXIMUM.	X	X
INSULATION RESISTANCE IEC60512-2-3a	MEASURE WITHIN 1 MINUTE AFTER APPLYING 500 V DC.		INITIALLY 1000 MΩ MINIMUM.	X	-
MECHANICAL CHARACTERISTICS					
CARD INSERTION FORCE	MEASURED BY APPLICABLE CORD AT 25mm/min.		THE INITIAL STAGE:10 N MAX.	X	-
CARD EJECTION FORCE					
MECHANICAL OPERATION [OFFICE ENVIRONMENT] EIA364B class1.1	5,000 TIMES INSERTIONS AND WITH DRAWAL SHALL BE MADE AT THE CYCLE RATE LESS THAN 10 CYCLES PER 1 MINUTE.		① CONTACT RESISTANCE: AFTER TEST 40 mΩ MAXIMUM CHANGE. (CONTACT RESISTANCE REVERSION BY INSERTION AND EXTRACTION IS AVAILABLE) ② NO MECHANICAL DAMAGE SHALL OCCUR ON THE PARTS.	X	-
VIBRATION AND HIGH FREQUENCY IEC60512-4-6d	FREQUENCY 10 TO 55 TO 10 Hz/min, SINGLE AMPLITUDE 0.75 mm FOR 4 h IN 3 DIRECTIONS, TOTAL 12 h.		① NO ELECTRICAL DISCONTINUITY OF 100 ns. ② NO MECHANICAL DAMAGE SHALL OCCUR ON THE PARTS.	X	-
SHOCK IEC60512-4-6c	ACCELERATION 490m/s ² STANDARD HOLDING TIME 11 ms, SEMI-SINE WAVE FOR 3TIMES IN 3 DIRECTIONS, TOTAL 18 TIMES.			X	-
COUNT	DESCRIPTION OF REVISIONS	DESIGNED	CHECKED	DATE	
REMARK	NOTE1:INCLUDE THE TEMPERATURE RISE BY CURRENT. NOTE 2:CONTACT RESISTANCE INCLUDES CONDUCTOR RESISTANCE.UNLESS OTHERWISE SPECIFIED, THE TEST SHOULD BE DONE UNDER TEMP. 15 TO 35°C, AIR PRESSURE 86 TO 106kPa, RELATIVE HUMIDITY 25 TO 85%.		APPROVED	KI. AKIYAMA	07.04.25
			CHECKED	OM. MIYAMOTO	07.04.25
			DESIGNED	KJ. NISHIWAKI	07.03.27
			DRAWN	KJ. NISHIWAKI	07.03.27
Note	QT:Qualification Test AT:Assurance Test X:Applicable Test	DRAWING NO.	ELC4-156814-00		
HRS	SPECIFICATION SHEET	PART NO.	DM3D-SF		
	HIROSE ELECTRIC CO., LTD.	CODE NO.	CL609-0025-8-00	△	1/2

SPECIFICATIONS

ITEM	TEST METHOD	REQUIREMENTS	QT	AT
ENVIRONMENTAL CHARACTERISTICS				
DAMP HEAT, CYCLIC IEC60512-6-11m	10 CYCLES (1 CYCLE=24 HOURS) WITH CONNECTORS ENGAGED. 	① CONTACT RESISTANCE: AFTER TEST 40 mΩ MAXIMUM CHANGE. ② INSULATION RESISTANCE: AFTER TEST 100 MΩ MINIMUM. ③ NO MECHANICAL DAMAGE OR HEAVY CORROSION SHALL OCCUR ON THE PARTS.	X	-
RAMP CHANGE OF TEMPERATURE IEC60512-6-11d	5 CYCLES (1 CYCLE=1 HOUR) WITH CONNECTORS ENGAGED. TEMPERATURE:-55 TO +85°C		X	-
DAMP HEAT IEC60512-6-11i	EXPOSED AT 85 °C FOR 96 HOURS WITH CONNECTORS ENGAGED.		X	-
COND IEC60512-6-11j	EXPOSED AT -25 °C FOR 96 HOURS WITH CONNECTORS ENGAGED.		X	-
DAMP HEAT, STADY STATE IEC60512-6-11c	EXPOSED AT 40 °C, 90 TO 95 % RH, 96 HOURS WITH CONNECTORS ENGAGED.		X	-
HYDROGEN SULFIDE JEIDA 38	EXPOSED IN 3 PPM HYDROGEN SULFIDE, APPROX. 40°C, 80% RH, 96 HOURS, WITH CONNECTORS ENGAGED.		X	-

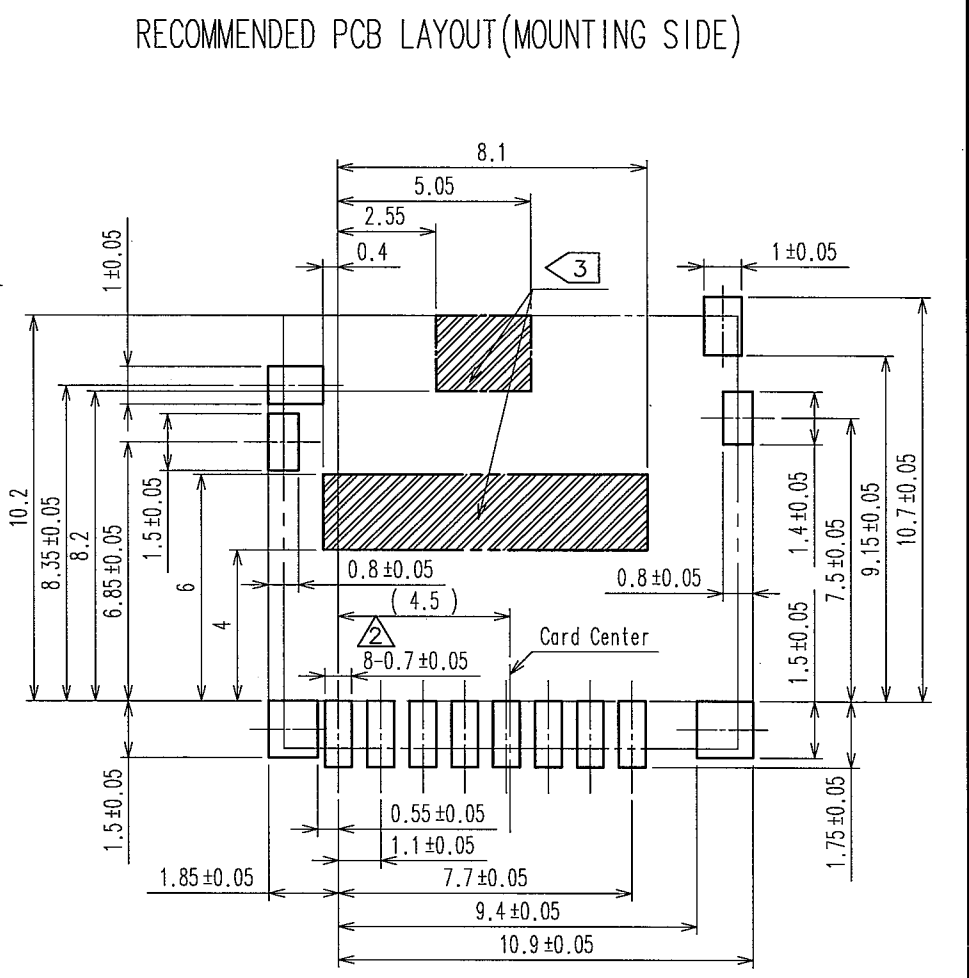
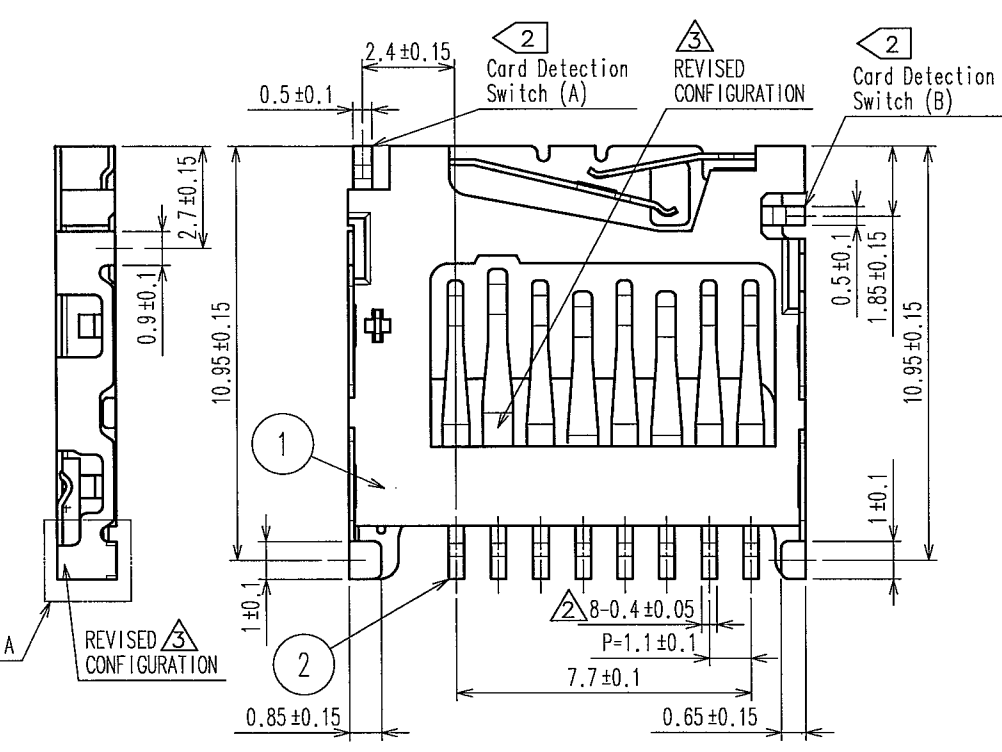
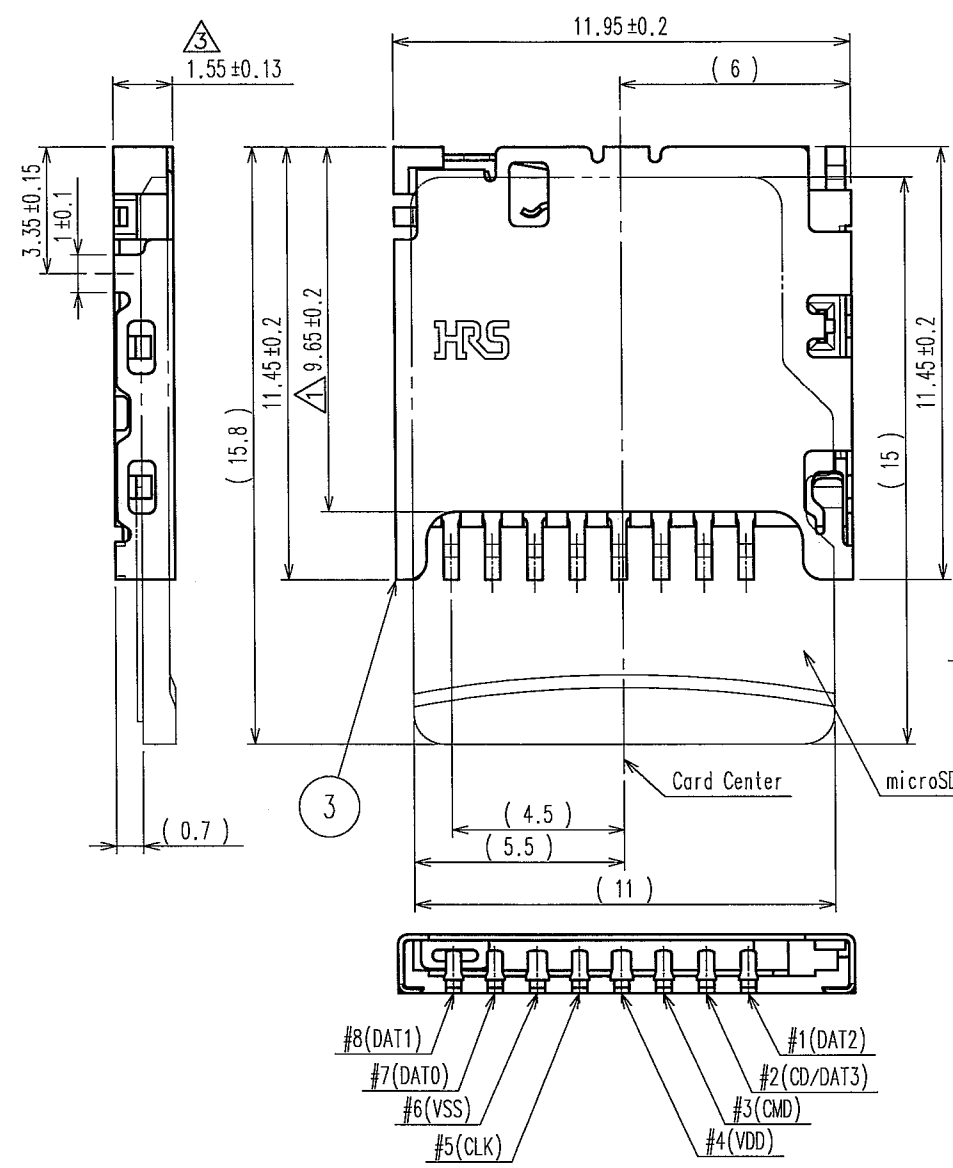
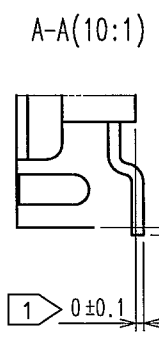
 2008/01/16 08:31:59
 DRAWING FOR REFERENCE: This is subject to change without notice

Note QT:Qualification Test AT:Assurance Test X:Applicable Test		DRAWING NO. ELC4-156814-00	
	SPECIFICATION SHEET		PART NO. DM3D-SF
	HIROSE ELECTRIC CO., LTD.		CODE NO CL609-0025-8-00

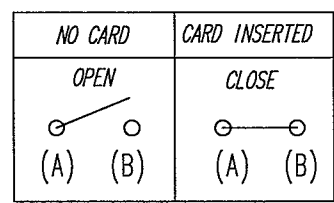
2008/01/16 08:32:00 HK. HORINO

DRAWING FOR REFERENCE: This is subject to change without notice

COUNT	DESCRIPTION OF REVISIONS	BY	CHKD	DATE	COUNT	DESCRIPTION OF REVISIONS	BY	CHKD	DATE
④	DIS-F-001757	K.N	O.M	'07.04.25					
②	DIS-F-002088	K.N	O.M	'07.06.15					
③	DIS-F-002241	K.N	O.M	'07.08.27					



NOTE. ① CO-PLANARITY SHALL BE 0.1mm MAX.
② CARD DETECTION SWITCH



③ : NO PATTERNS ARE PERMITTED IN THIS OBLIQUE-HATCHED AREA.

NO.	MATERIAL	FINISH, REMARKS	NO.	MATERIAL	FINISH, REMARKS
3	STAINLESS STEEL	MOUNTING AREA Ni0.5μm+Sn2μm	2	PHOSPHOR BRONZE	CONTACT AREA Ni2μm+Au0.1μm MOUNTING AREA Ni1μm+Au0.03μm
1	LCP	BLACK UL94V-0			

CODE NO. (OLD)	DRAWN	DESIGNED	CHECKED	APPROVED	RELEASED
	K.NISHIWAKI 07.03.27	K.NISHIWAKI 07.03.27	O.MIYAMOTO 07.03.27	K.AKIYAMA 07.03.28	

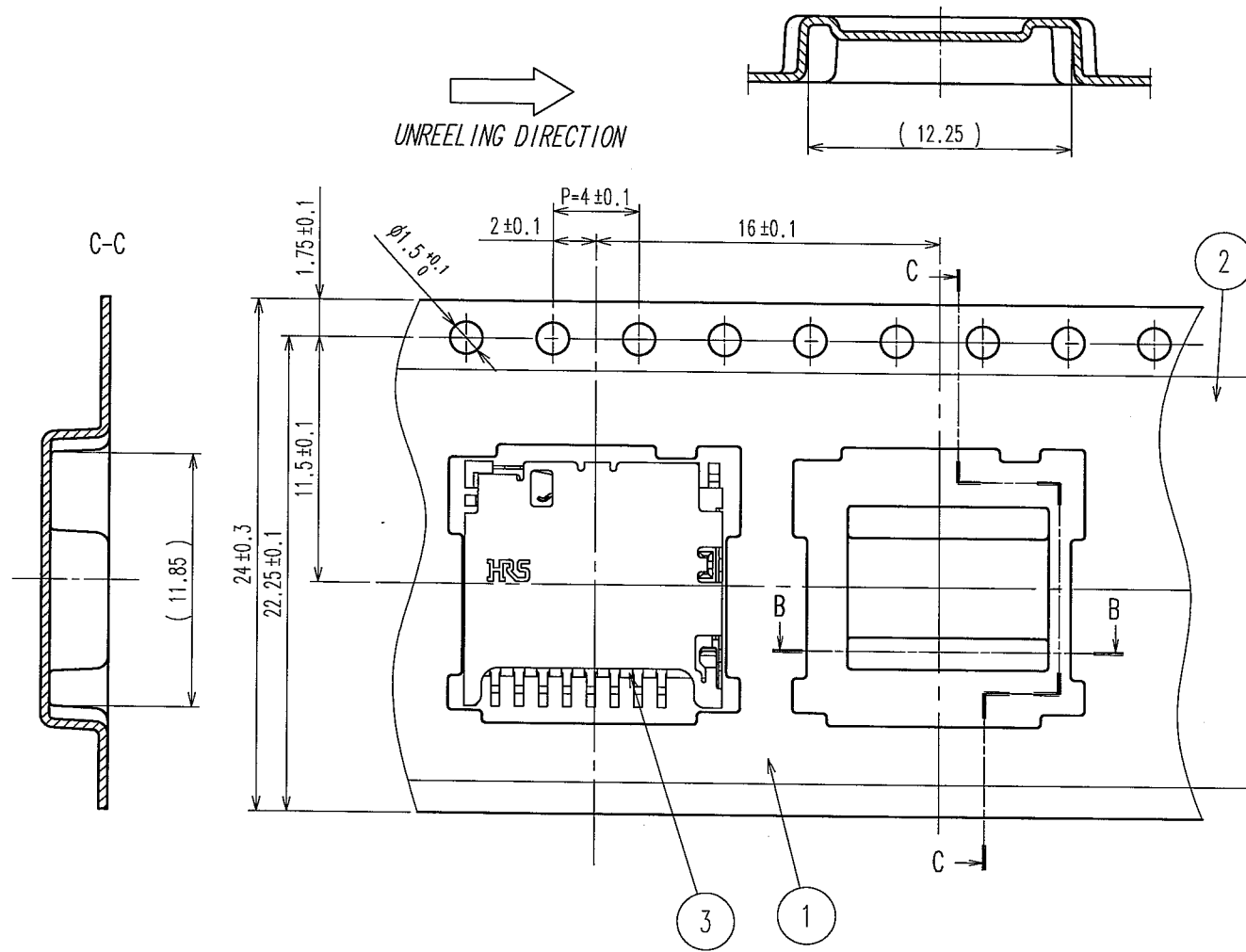
SCALE	DRAWING NO.	PART NO.
FREE	EDC3-156814	DM3D-SF

UNITS	CODE NO.	
mm	CL609-0025-8	1/2

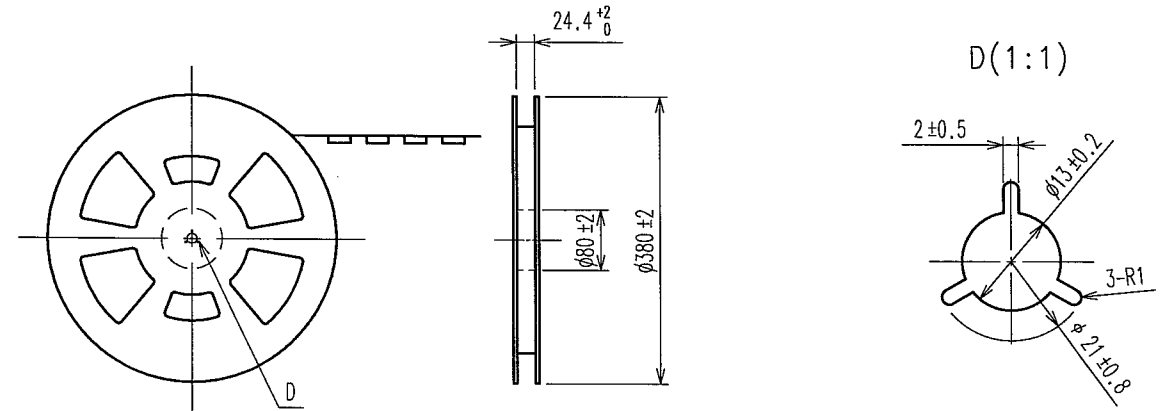
④ DRAWING FOR PACKING

B-B

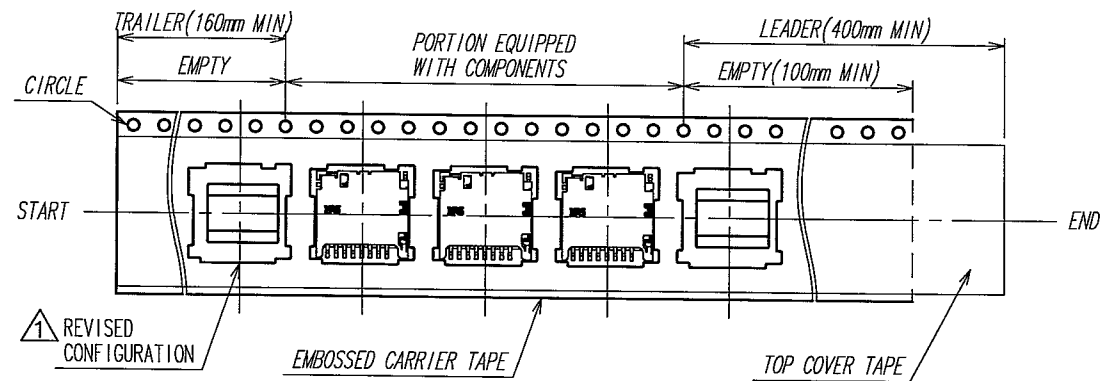
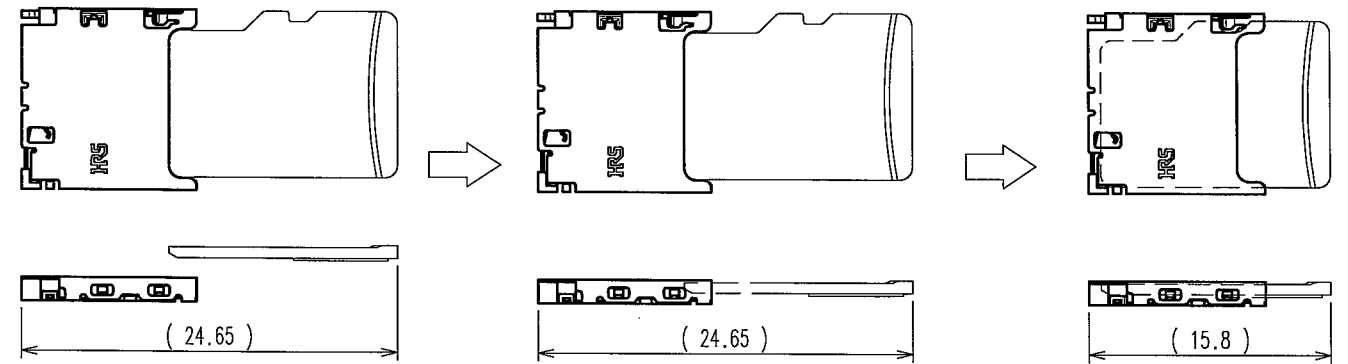
UNREELING DIRECTION



DETAIL OF REEL (1:10)



△ CARD INSERTION METHOD



3	(CONNECTORS)	
2	POLYESTER	
1	PS	

NO.	MATERIAL	FINISH, REMARKS	NO.	MATERIAL	FINISH, REMARKS		
CODE NO. (OLD)			DRAWN	DESIGNED	CHECKED	APPROVED	RELEASED
			K. NISHIWAKI 07.03.27	K. NISHIWAKI 07.03.27	O. MIYAMOTO 07.03.27	K. AKIYAMA 07.03.28	
DRAWING NO. EDC3-156814		PART NO. DM3D-SF					
SCALE 2:1		CODE NO. CL609-0025-8					
UNITS mm		HRS HIROSE ELECTRIC CO., LTD					

NOTE. ④ PACKING TYPE: TAPE AND REEL. 2000PCS PER REEL.
 5. PLEASE REFER TO TECHNICAL SPECIFICATION : ETAD-F0353
 "DM3D SERIES PRODUCT INFORMATION AND HANDLING INSTRUCTIONS"
 FOR THE HANDLING OF THE PRODUCT.

COUNT	DESCRIPTION OF REVISIONS	BY	CHKD	DATE	COUNT	DESCRIPTION OF REVISIONS	BY	CHKD	DATE
△					△				
△					△				
△					△				

TO