

REV.	DESCRIPTION	DRW.	CHK.	APP.	DATE
A	RELEASE				

SPECIFICATIONS

Current Rating:
3 Amp

Voltage Rating:
230V

Insulator resistance:
5000 Megohms Min.

Contact Resistance:
20 m ohms Max.

Dielectric withstanding:
AC 1000V/minute

Operating Temperature:
-40° ~ +105°C

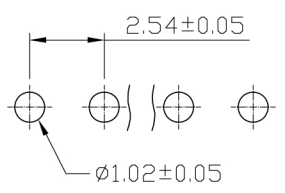
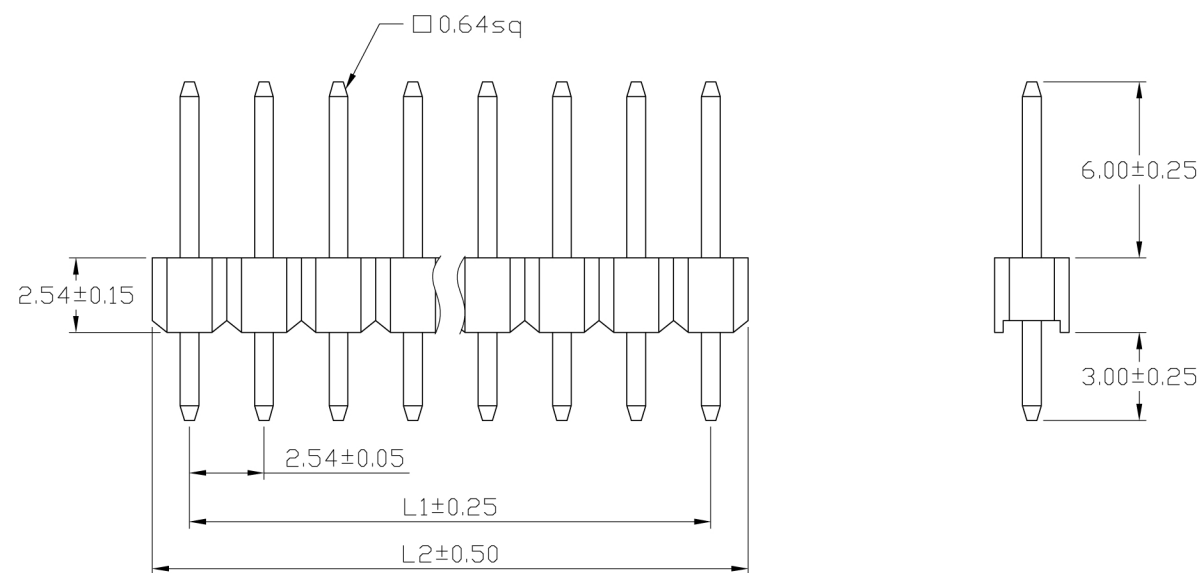
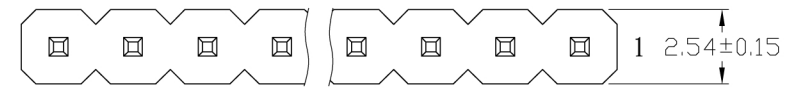
Contact Material:
Brass

Insulator Material:
Polyester UL94V-0

Standard Color:
Black

Finish:
Gold, Tin or Duplex plated
Duplex plated:
Gold plated on contact area
Tin on solder area

RoHS Compliant



RECOMMENDED P. C. B. LAYOUT

Cir-cuits	Dimension mm	
	L1	L2
2	2.54	5.08
3	5.08	7.62
4	7.62	10.16
5	10.16	12.70
6	12.70	15.24
7	15.24	17.78
8	17.78	20.32
9	20.32	22.86
10	22.86	25.40
11	25.40	27.94
12	27.94	30.48
13	30.48	33.02
14	33.02	35.56
15	35.56	38.10
16	38.10	40.64
17	40.64	43.18
18	43.18	45.72
19	45.72	48.26
20	48.26	50.80
21	50.80	53.34
22	53.34	55.88
23	55.88	58.42
24	58.42	60.96
25	60.96	63.50
26	63.50	66.04
27	66.04	68.58
28	68.58	71.12
29	71.12	73.66
30	73.66	76.20
31	76.20	78.74
32	78.74	81.28
33	81.28	83.82
34	83.82	86.36
35	86.36	88.90
36	88.90	91.44
37	91.44	93.98
38	93.98	96.52
39	96.52	99.06
40	99.06	101.60

成品規格圖			APP.	ANGLES	±3°	SIZE	A4
TITLE	2.54mm Pin Header Straight Type		CHK.	LINEAR	0.0 ±0.38	SCALE	4:1
PART NO	H1-XXG06R				0.00±0.25	SHEET	2/2
DRW NO	125640003		DR.	康濟寶			
UNIT	mm(INCH)	PROJECT		94.05.18			

