

Wirewound, Surface Mount Molded Inductors



STANDARD ELECTRICAL SPECIFICATIONS						
IND. (μH)	TOL.	TEST FREQ. (MHz)	Q MIN.	SRF MIN. (MHz)	DCR MAX. (Ω)	RATED DC CURRENT ⁽¹⁾ (mA)
		L & Q				
0.010	20%	50	30	1000	0.13	734
0.012	20%	50	30	1000	0.14	707
0.015	20%	50	30	1000	0.16	661
0.018	20%	50	30	1000	0.18	624
0.022	20%	50	30	1000	0.20	592
0.027	20%	50	30	1000	0.22	564
0.033	20%	50	30	1000	0.24	540
0.039	20%	50	30	1000	0.27	530
0.047	20%	50	30	1000	0.30	483
0.056	20%	50	30	1000	0.33	470
0.068	20%	50	30	1000	0.36	450
0.082	20%	50	30	900	0.40	450
0.10	20%	50	30	700	0.44	450
0.12	20%	25.2	30	500	0.22	584
0.15	20%	25.2	30	450	0.25	548
0.18	20%	25.2	30	400	0.28	518
0.22	20%	25.2	30	350	0.32	484
0.27	20%	25.2	30	320	0.36	456
0.33	20%	25.2	30	300	0.40	453
0.39	20%	25.2	30	250	0.45	450
0.47	20%	25.2	30	220	0.50	450
0.56	20%	25.2	30	180	0.55	450
0.68	20%	25.2	30	160	0.60	450
0.82	20%	25.2	30	140	0.67	450
1.0	10%	7.96	30	120	0.70	400
1.2	10%	7.96	30	100	0.75	390
1.5	10%	7.96	30	85	0.85	370
1.8	10%	7.96	30	80	0.90	350
2.2	10%	7.96	30	75	1.0	320
2.7	10%	7.96	30	70	1.1	290
3.3	10%	7.96	30	60	1.2	260
3.9	10%	7.96	30	55	1.3	250
4.7	10%	7.96	30	50	1.5	224
5.6	10%	7.96	30	45	1.6	217
6.8	10%	7.96	30	40	1.8	204
8.2	10%	7.96	30	38	2.0	194
10	10%	2.52	30	33	2.1	189
12	10%	2.52	30	30	2.5	173
15	10%	2.52	30	21	2.8	164
18	10%	2.52	30	20	3.3	151
22	10%	2.52	30	19	3.7	145
27	10%	2.52	30	18	5.0	122
33	10%	2.52	30	16	6.0	112
39	10%	2.52	30	15	7.0	104
47	10%	2.52	30	14	9.0	91
56	10%	2.52	30	12	10.0	87
68	10%	2.52	30	11	11.0	83
82	10%	2.52	30	10	12.0	79
100	10%	0.796	20	9	14.0	73
120	10%	0.796	15	8	11.0	70
150	10%	0.796	15	6.5	15.0	65
180	10%	0.796	15	6	17.0	60
220	10%	0.796	15	6	21.0	50

Note

⁽¹⁾ Rated DC current based on the maximum temperature rise, not to exceed 40 °C at + 85 °C ambient

FEATURES

- Printed marking
- Molded construction provides superior strength and moisture resistance
- Compatible with vapor phase and infrared reflow soldering
- Tape and reel packaging for automatic handling, 2000/reel, EIA-481
- Compliant to RoHS directive 2002/95/EC


RoHS
COMPLIANT

ELECTRICAL SPECIFICATIONS
Inductance Range: 0.01 μH to 220 μH

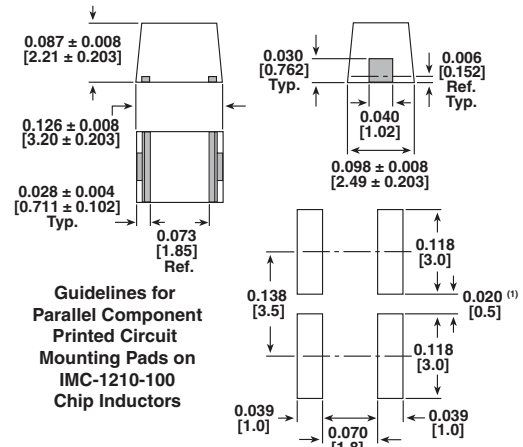
Inductance and Tolerance: ± 20 % for 0.01 μH to 0.82 μH, ± 10 % for 1.0 μH to 220 μH standard. Special tolerances available.

Operating Temperature: - 55 °C to + 125 °C

Coilform Material: Non-magnetic from 0.01 μH to 0.10 μH
Powdered iron from 0.12 μH to 100 μH
Ferrite from 120 μH to 220 μH

TEST EQUIPMENT

- HP4342A Q meter with Vishay Dale test fixture or equivalent
- HP4191A RF impedance analyzer (for SRF measurements)
- Wheatstone bridge

DIMENSIONS in inches [millimeters]


Note

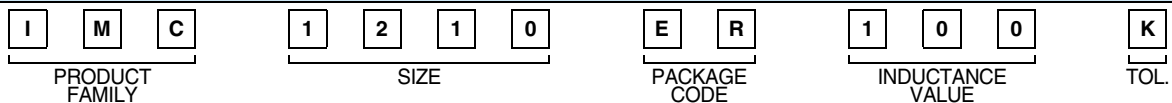
⁽¹⁾ Recommended spacing between components

PART MARKING

- Vishay Dale
- Inductance value
- Date code

DESCRIPTION

IMC-1210	10 μH	± 10 %	ER	e3
MODEL	INDUCTANCE VALUE	INDUCTANCE TOLERANCE	PACKAGE CODE	JEDEC LEAD (Pb)-FREE STANDARD

GLOBAL PART NUMBER




Disclaimer

All product specifications and data are subject to change without notice.

Vishay Intertechnology, Inc., its affiliates, agents, and employees, and all persons acting on its or their behalf (collectively, "Vishay"), disclaim any and all liability for any errors, inaccuracies or incompleteness contained herein or in any other disclosure relating to any product.

Vishay disclaims any and all liability arising out of the use or application of any product described herein or of any information provided herein to the maximum extent permitted by law. The product specifications do not expand or otherwise modify Vishay's terms and conditions of purchase, including but not limited to the warranty expressed therein, which apply to these products.

No license, express or implied, by estoppel or otherwise, to any intellectual property rights is granted by this document or by any conduct of Vishay.

The products shown herein are not designed for use in medical, life-saving, or life-sustaining applications unless otherwise expressly indicated. Customers using or selling Vishay products not expressly indicated for use in such applications do so entirely at their own risk and agree to fully indemnify Vishay for any damages arising or resulting from such use or sale. Please contact authorized Vishay personnel to obtain written terms and conditions regarding products designed for such applications.

Product names and markings noted herein may be trademarks of their respective owners.