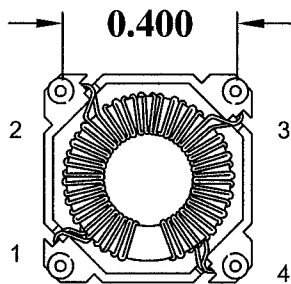
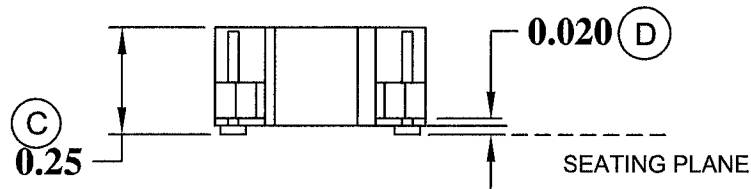
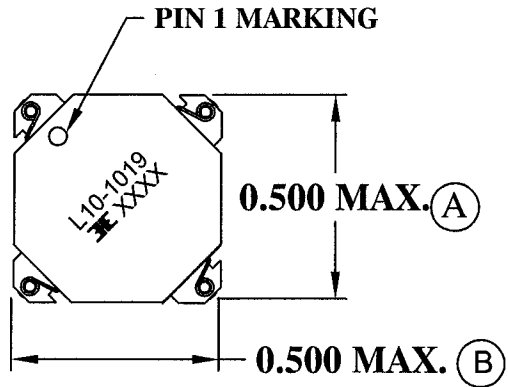
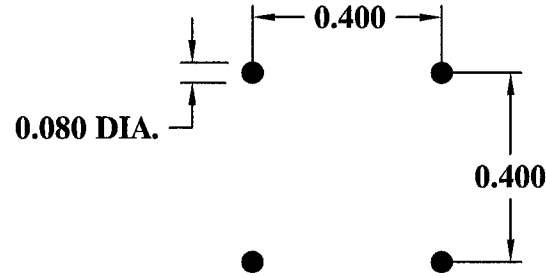


MECHANICAL

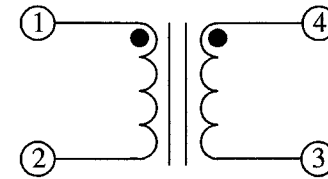


COPLANARITY 0.004"

RECOMMENDED PC BOARD LAYOUT



SCHEMATIC



ELECTRICAL SPECIFICATIONS

URNS RATIO: 1:1


OPEN CIRCUIT INDUCTANCE: 14.60-21.90μH @ 0 ADC
(1, 4 - 2, 3) 10 KHz 100mV

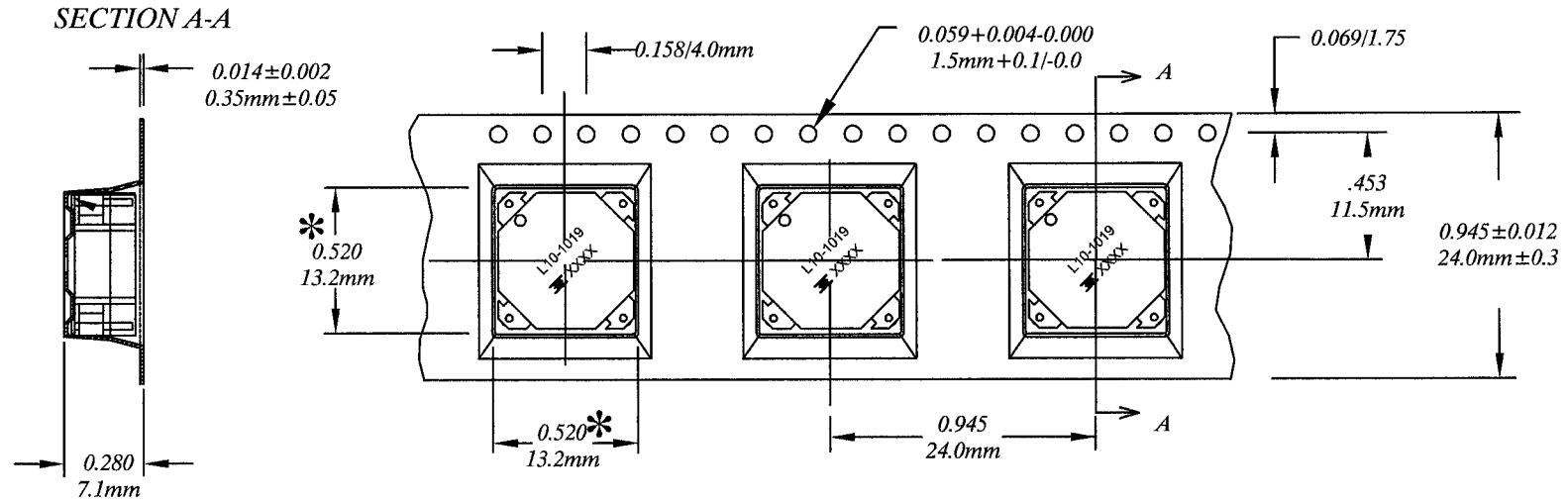
DC BIAS: 14.60μH TYP. @ 3.24 ADC
(1, 4 - 2, 3) 10 KHz 100mV

DC RESISTANCE: 0.0748 OHMS NOM. (1-2)
0.0748 OHMS NOM. (4-3)


IR: 100 VDC (1-4) 1K MEGOHMS MIN.

RoHS Compliant

				DESIGN PER: BH CATALOG	 BH ELECTRONICS, INC. BURNSVILLE & MARSHALL, MN © 1998 BH Electronics
				<input type="checkbox"/> CUSTOM NON-PROPRIETARY <input checked="" type="checkbox"/>	
				DRAWN: K. LOFTUS	TITLE: QTR PAK™ (Switching Regulator)
				ENGR: J. DECRAMER	
B	7-10-06	UPDATE TO NEW FORMAT	<i>Jow</i>	UNLESS OTHERWISE SPECIFIED: DIMENSIONS IN INCHES, TOLERANCES NON-CUMULATIVE .XX±.01 .XXX±.005 PAGE 1 OF 2	PART NO. L10-1019
A	2-18-98	CUSTOMER PRINT	JDC		
ISSUE	DATE	REVISION	BY		



CARRIER TAPE 811-0137

				DESIGN PER:	BH CATALOG	 BH ELECTRONICS, INC. BURNSVILLE & MARSHALL, MN © 1998 BH Electronics
				<input type="checkbox"/> CUSTOM	<input checked="" type="checkbox"/> NON-PROPRIETARY	
				DRAWN:	K. LOFTUS	TITLE: QTR PAK™ (Switching Regulator)
				ENGR:	J. DECRAMER	
B	7-10-06	UPDATE TO NEW FORMAT		UNLESS OTHERWISE SPECIFIED: DIMENSIONS IN INCHES, TOLERANCES NON-CUMULATIVE .XX±.01 .XXX±.005		PART NO. L10-1019
A	2-18-98	CUSTOMER PRINT	JDC			
ISSUE	DATE	REVISION	BY	PAGE 2 OF 2		