

EVALUATION KIT
AVAILABLE**MAXIM**

1 μ A, 4-Bump UCSP/SOT23, Precision Current-Sense Amplifier

MAX9938

General Description

The MAX9938 high-side current-sense amplifier offers precision accuracy specifications of V_{OS} less than 500 μ V (max) and gain error less than 0.5% (max). Quiescent supply current is an ultra-low 1 μ A. The MAX9938 fits in a tiny, 1mm x 1mm UCSP™ package size or a 5-pin SOT23 package, making the part ideal for applications in notebook computers, cell phones, PDAs, and all battery-operated portable devices where accuracy, low quiescent current, and small size are critical.

The MAX9938 features an input common-mode voltage range from 1.6V to 28V. These current-sense amplifiers have a voltage output and are offered in four gain versions: 25V/V (MAX9938T), 50V/V (MAX9938F), 100V/V (MAX9938H), and 200V/V (MAX9938W).

The four gain selections offer flexibility in the choice of the external current-sense resistor. The very low 500 μ V (max) input offset voltage allows small 25mV to 50mV full-scale V_{SENSE} voltage for very low voltage drop at full-current measurement.

The MAX9938 is offered in tiny 4-bump, UCSP (1mm x 1mm x 0.6mm footprint), 5-pin SOT23, and 6-pin μ DFN (2mm x 2mm x 0.8mm) packages specified for operation over the -40°C to +85°C extended temperature range.

Applications

Cell Phones
PDAs
Power Management Systems
Portable/Battery-Powered Systems
Notebook Computers

Features

- ◆ Ultra-Low Supply Current of 1 μ A (max)
- ◆ Low 500 μ V (max) Input Offset Voltage
- ◆ Low < 0.5% (max) Gain Error
- ◆ Input Common Mode: +1.6V to +28V
- ◆ Voltage Output
- ◆ Four Gain Versions Available
 - 25V/V (MAX9938T)
 - 50V/V (MAX9938F)
 - 100V/V (MAX9938H)
 - 200V/V (MAX9938W)
- ◆ Tiny 1mm x 1mm x 0.6mm, 4-Bump UCSP, 5-Pin SOT23, or 2mm x 2mm x 0.8mm, 6-Pin μ DFN Packages

Ordering Information

| PART | PIN-PACKAGE | GAIN (V/V) | TOP MARK |
|-----------------|-------------|------------|----------|
| MAX9938TEBS+G45 | 4 UCSP | 25 | +AGD |
| MAX9938FEBS+G45 | 4 UCSP | 50 | +AGE |
| MAX9938HEBS+G45 | 4 UCSP | 100 | +AGF |
| MAX9938WEBS+G45 | 4 UCSP | 200 | +AGI |
| MAX9938TEUK+ | 5 SOT23 | 25 | +AFFB |
| MAX9938FEUK+ | 5 SOT23 | 50 | +AFFC |
| MAX9938HEUK+ | 5 SOT23 | 100 | +AFFD |
| MAX9938WEUK+ | 5 SOT23 | 200 | +AFGZ |
| MAX9938FELT+ | 6 μ DFN | 50 | +ACM |

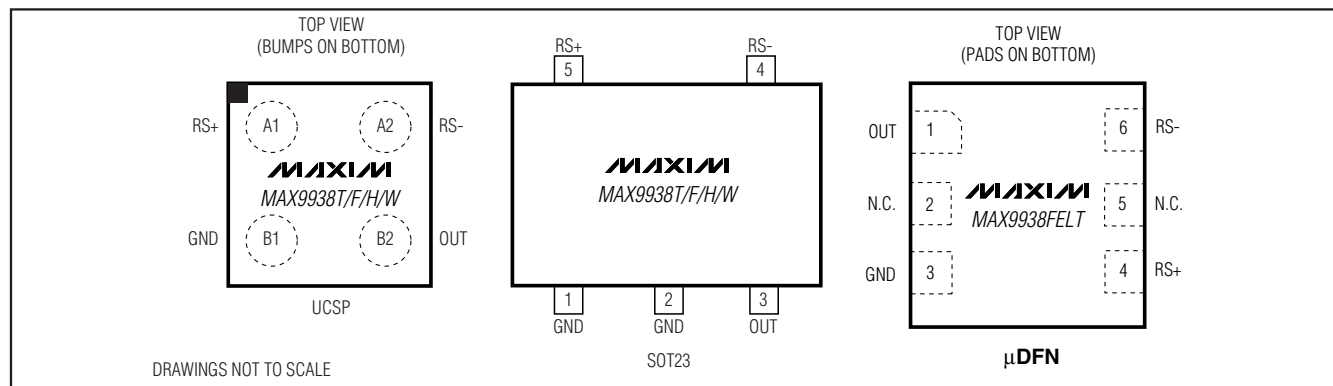
+Denotes a lead(Pb)-free/RoHS-compliant package.

G45 indicates protective die coating.

Note: All devices are specified over the -40°C to +85°C extended temperature range.

UCSP is a trademark of Maxim Integrated Products, Inc.

Pin Configurations

**MAXIM**

Maxim Integrated Products 1

For pricing, delivery, and ordering information, please contact Maxim Direct at 1-888-629-4642, or visit Maxim's website at www.maxim-ic.com.

1 μ A, 4-Bump UCSP/SOT23, Precision Current-Sense Amplifier

ABSOLUTE MAXIMUM RATINGS

| | |
|---|---------------|
| RS+, RS- to GND | -0.3V to +30V |
| OUT to GND | -0.3V to +6V |
| RS+ to RS- | \pm 30V |
| Short-Circuit Duration: OUT to GND | Continuous |
| Continuous Input Current (Any Pin) | \pm 20mA |
| Continuous Power Dissipation (T _A = +70°C) | |
| 4-Bump UCSP (derate 3.0mW/°C above +70°C) | 238mW |
| 5-Pin SOT23 (derate 3.9mW/°C above +70°C) | 312mW |
| 6-Pin μ DFN (derate 4.5mW/°C above +70°C) | 358mW |

| | |
|-------------------------------------|-----------------|
| Operating Temperature Range | -40°C to +85°C |
| Junction Temperature | +150°C |
| Storage Temperature Range | -65°C to +150°C |
| Bump Temperature (soldering) Reflow | +260°C |
| Lead Temperature (soldering, 10s) | +300°C |
| Soldering Temperature (reflow) | +260°C |

Stresses beyond those listed under "Absolute Maximum Ratings" may cause permanent damage to the device. These are stress ratings only, and functional operation of the device at these or any other conditions beyond those indicated in the operational sections of the specifications is not implied. Exposure to absolute maximum rating conditions for extended periods may affect device reliability.

ELECTRICAL CHARACTERISTICS

(V_{RS+} = V_{RS-} = 3.6V, V_{SENSE} = (V_{RS+} - V_{RS-}) = 0V, T_A = -40°C to +85°C, unless otherwise noted. Typical values are at T_A = +25°C.) (Note 1)

| PARAMETER | SYMBOL | CONDITIONS | MIN | TYP | MAX | UNITS | |
|---------------------------------|------------------|--|--------------------------------|-----------|-----------|---------|------------|
| Supply Current (Note 2) | I _{CC} | V _{RS+} = 5V, T _A = +25°C | | 0.5 | 0.85 | μ A | |
| | | V _{RS+} = 5V, -40°C < T _A < +85°C | | | 1.1 | | |
| | | V _{RS+} = 28V, T _A = +25°C | | 1.1 | 1.8 | | |
| | | V _{RS+} = 28V, -40°C < T _A < +85°C | | | 2.5 | | |
| Common-Mode Input Range | V _{CM} | Guaranteed by CMRR, -40°C < T _A < +85°C | 1.6 | | 28 | V | |
| Common-Mode Rejection Ratio | CMRR | 1.6V < V _{RS+} < 28V, -40°C < T _A < +85°C | 94 | 130 | | dB | |
| Input Offset Voltage (Note 3) | V _{OS} | T _A = +25°C | | \pm 100 | \pm 500 | μ V | |
| | | -40°C < T _A < +85°C | | | \pm 600 | | |
| Gain | G | MAX9938T | | 25 | | V/V | |
| | | MAX9938F | | 50 | | | |
| | | MAX9938H | | 100 | | | |
| | | MAX9938W | | 200 | | | |
| Gain Error (Note 4) | GE | MAX9938T/MAX9938F/ MAX9938H | T _A = +25°C | \pm 0.1 | \pm 0.5 | % | |
| | | | -40°C < T _A < +85°C | | \pm 0.6 | | |
| | | MAX9938W | T _A = +25°C | \pm 0.1 | \pm 0.7 | | |
| | | | -40°C < T _A < +85°C | | \pm 0.8 | | |
| Output Resistance | R _{OUT} | (Note 5) | MAX9938T/F/H | 7.0 | 10 | 13.2 | k Ω |
| | | | MAX9938W | 14.0 | 20 | 26.4 | |
| OUT Low Voltage | V _{OL} | Gain = 25 | | 1.5 | 15 | mV | |
| | | Gain = 50 | | 3 | 30 | | |
| | | Gain = 100 | | 6 | 60 | | |
| | | Gain = 200 | | 12 | 120 | | |
| OUT High Voltage | V _{OH} | V _{OH} = V _{RS-} - V _{OUT} (Note 6) | | 0.1 | 0.2 | V | |
| Small-Signal Bandwidth (Note 5) | BW | V _{SENSE} = 50mV, gain = 25 | | 125 | | kHz | |
| | | V _{SENSE} = 50mV, gain = 50 | | 60 | | | |
| | | V _{SENSE} = 50mV, gain = 100 | | 30 | | | |
| | | V _{SENSE} = 50mV, gain = 200 | | 15 | | | |
| Output Settling Time | t _S | 1% final value, V _{SENSE} = 50mV | | 100 | | μ s | |
| Power-Up Time | t _{ON} | 1% final value, V _{SENSE} = 50mV | | 200 | | μ s | |

1 μ A, 4-Bump UCSP/SOT23, Precision Current-Sense Amplifier

MAX9938

ELECTRICAL CHARACTERISTICS (continued)

($V_{RS+} = V_{RS-} = 3.6V$, $V_{SENSE} = (V_{RS+} - V_{RS-}) = 0V$, $T_A = -40^{\circ}C$ to $+85^{\circ}C$, unless otherwise noted. Typical values are at $T_A = +25^{\circ}C$.) (Note 1)

Note 1: All devices are 100% production tested at $T_A = +25^{\circ}C$. All temperature limits are guaranteed by design.

Note 2: $V_{OUT} = 0$. I_{CC} is the total current into $RS+$ plus $RS-$ pins.

Note 1: All devices are 100% production tested at $T_A = +25^{\circ}C$. All temperature limits are guaranteed by design.

Note 2: $V_{OUT} = 0$. I_{CC} is the total current into $RS+$ plus $RS-$ pins.

Note 3: V_{OS} is extrapolated from measurements for the gain-error test.

Note 4: Gain error is calculated by applying two values of V_{SENSE} and calculating the error of the slope vs. the ideal:

Gain = 25, V_{SENSE} is 20mV and 120mV.

Gain = 50, V_{SENSE} is 10mV and 60mV.

Gain = 100, V_{SENSE} is 5mV and 30mV.

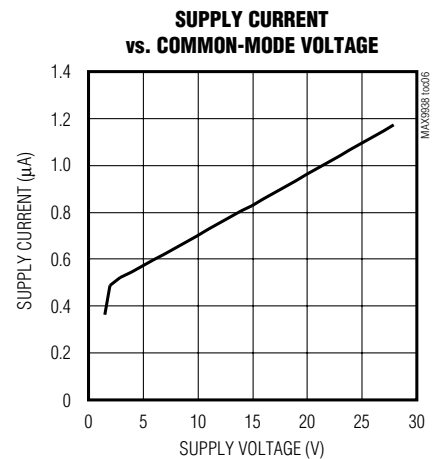
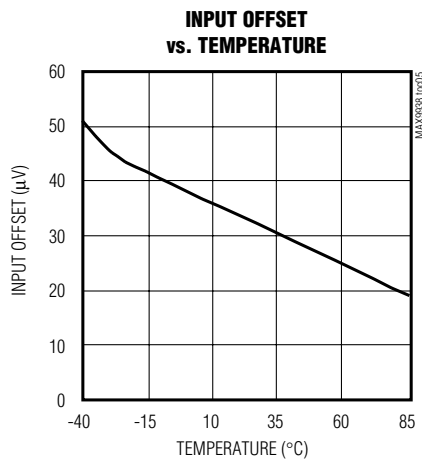
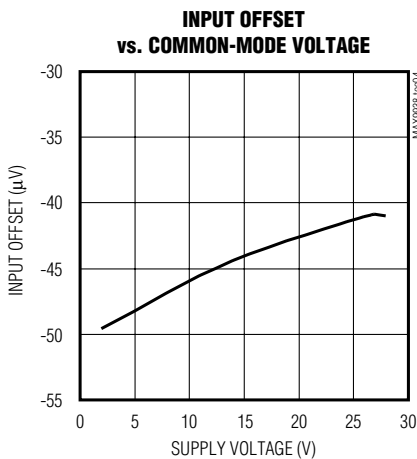
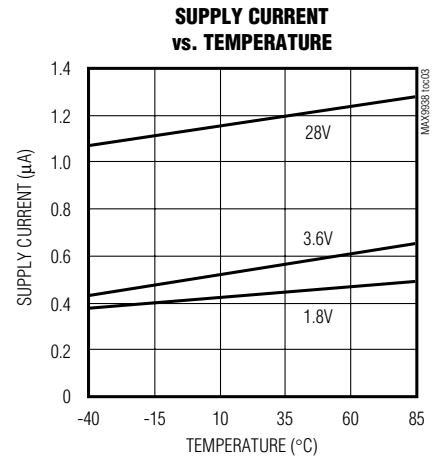
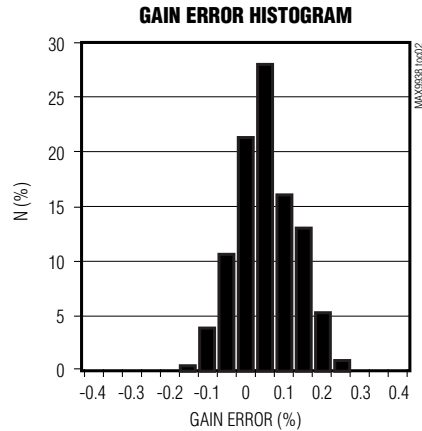
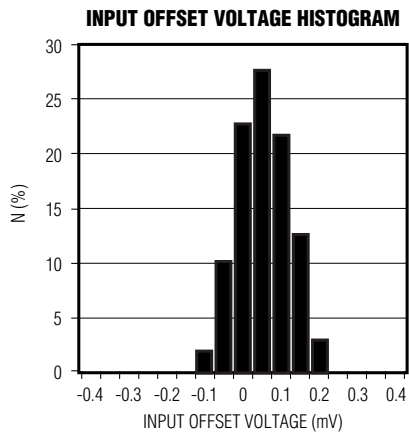
Gain = 200, V_{SENSE} is 2.5mV and 15mV.

Note 5: The device is stable for any external capacitance value.

Note 6: V_{OH} is the voltage from V_{RS-} to V_{OUT} with $V_{SENSE} = 3.6V/gain$.

Typical Operating Characteristics

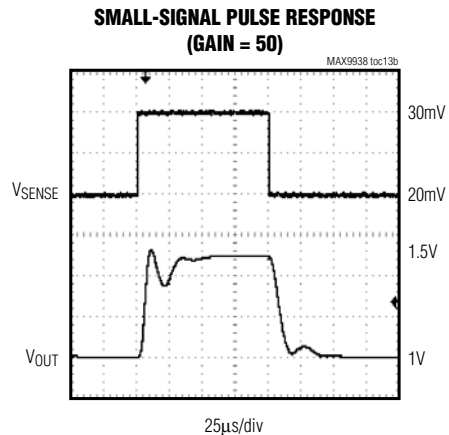
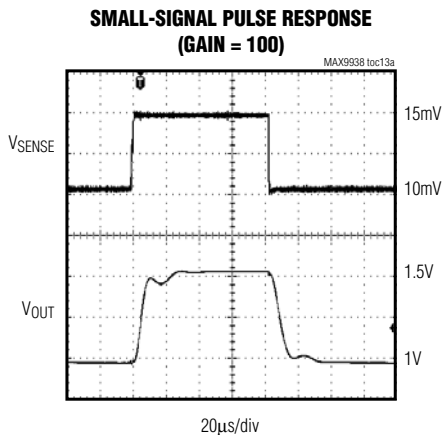
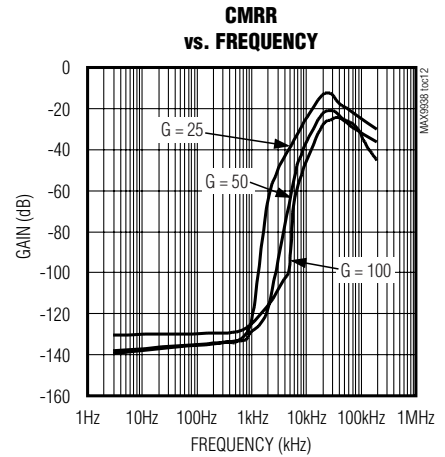
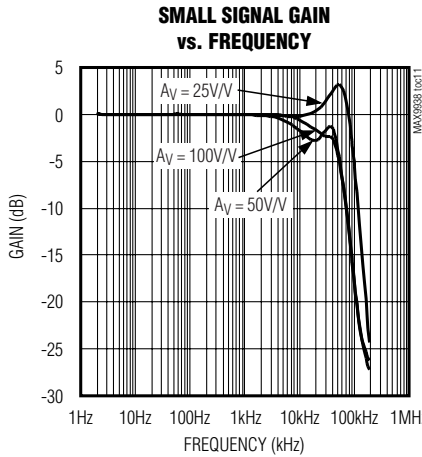
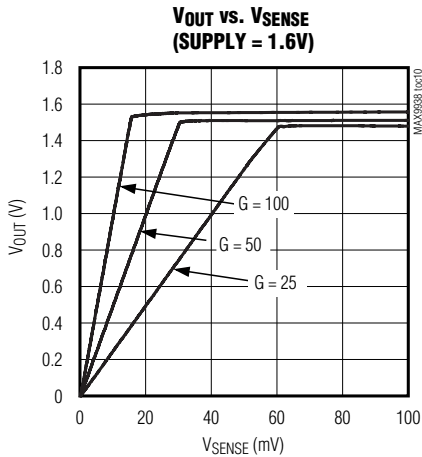
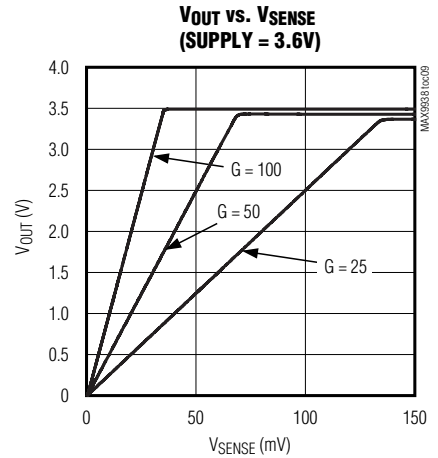
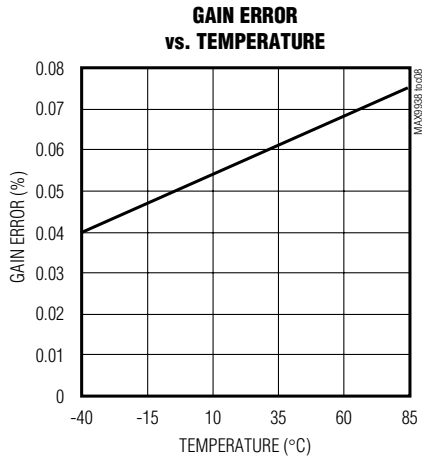
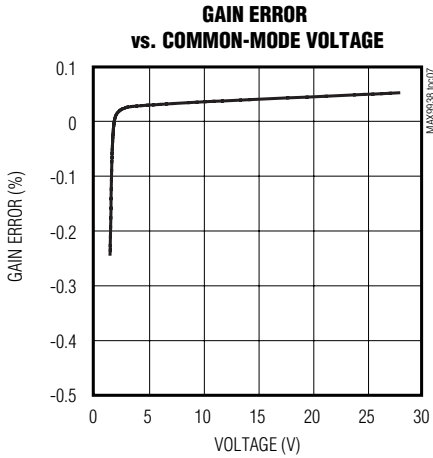
($V_{RS+} = V_{RS-} = 3.6V$, $T_A = +25^{\circ}C$, unless otherwise noted.)



1 μ A, 4-Bump UCSP/SOT23, Precision Current-Sense Amplifier

Typical Operating Characteristics (continued)

($V_{RS+} = V_{RS-} = 3.6V$, $T_A = +25^\circ C$, unless otherwise noted.)

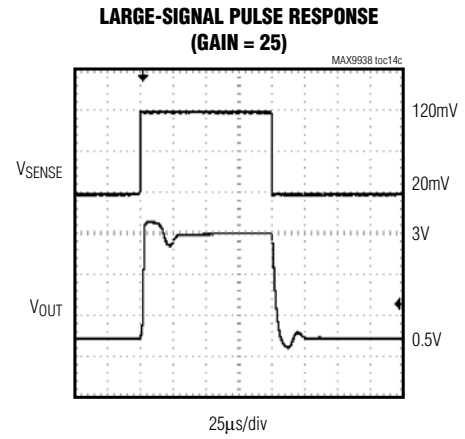
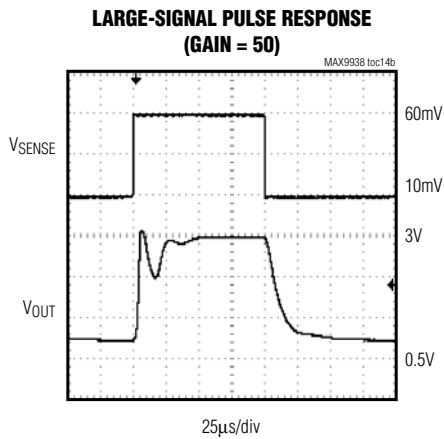
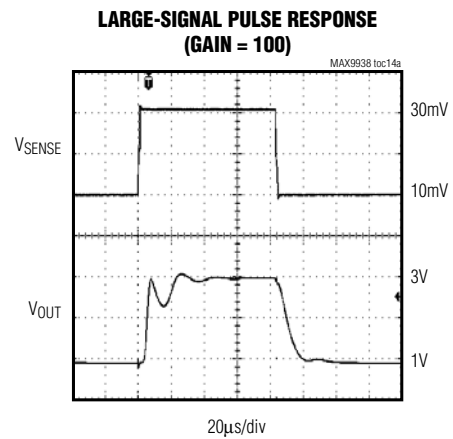
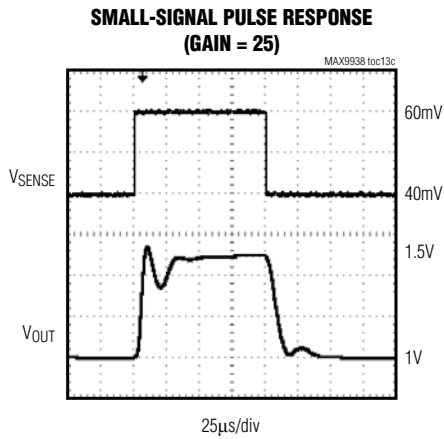


1 μ A, 4-Bump UCSP/SOT23, Precision Current-Sense Amplifier

MAX9938

Typical Operating Characteristics (continued)

($V_{RS+} = V_{RS-} = 3.6V$, $T_A = +25^\circ C$, unless otherwise noted.)

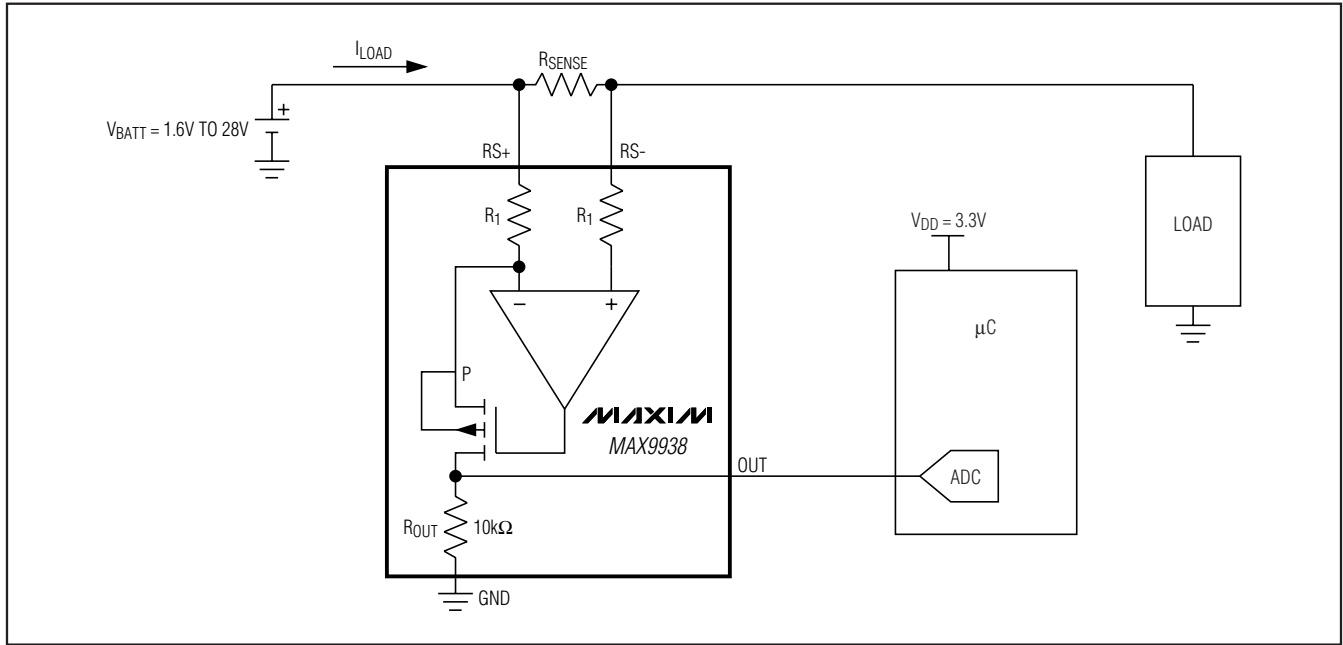


Pin Description

| PIN | | | NAME | FUNCTION |
|------|-------|-----------|------|--|
| UCSP | SOT23 | μ DFN | | |
| A1 | 5 | 4 | RS+ | External Sense Resistor Power-Side Connection |
| A2 | 4 | 6 | RS- | External Sense Resistor Load-Side Connection |
| B1 | 1, 2 | 3 | GND | Ground |
| B2 | 3 | 1 | OUT | Output Voltage. V_{OUT} is proportional to $V_{SENSE} = V_{RS+} - V_{RS-}$. |
| — | — | 2, 5 | N.C. | No Connection. Not internally connected. |

1μA, 4-Bump UCSP/SOT23, Precision Current-Sense Amplifier

Typical Operating Circuit



Detailed Description

The MAX9938 unidirectional high-side, current-sense amplifier features a 1.6V to 28V input common-mode range. This feature allows the monitoring of current out of a battery with a voltage as low as 1.6V. The MAX9938 monitors current through a current-sense resistor and amplifies the voltage across that resistor.

The MAX9938 is a unidirectional current-sense amplifier that has a well-established history. An op amp is used to force the current through an internal gain resistor at RS+, which has a value of R₁, such that its voltage drop equals the voltage drop across an external sense resistor, R_{SENSE}. There is an internal resistor at RS- with the

same value as R₁ to minimize offset voltage. The current through R₁ is sourced by a high-voltage p-channel FET. Its source current is the same as its drain current, which flows through a second gain resistor, R_{OUT}. This produces an output voltage, V_{OUT}, whose magnitude is I_{LOAD} × R_{SENSE} × R_{OUT}/R₁. The gain accuracy is based on the matching of the two gain resistors R₁ and R_{OUT} (see Table 1). Total gain = 25V/V for the MAX9938T, 50V/V for the MAX9938F, 100V/V for the MAX9938H, and 200V/V for the MAX9938W. The output is protected from input overdrive by use of an output current limiting circuit of 7mA (typical) and a 6V clamp protection circuit.

Table 1. Internal Gain Setting Resistors (Typical Values)

| GAIN (V/V) | R ₁ (Ω) | R _{OUT} (kΩ) |
|------------|--------------------|-----------------------|
| 200 | 100 | 20 |
| 100 | 100 | 10 |
| 50 | 200 | 10 |
| 25 | 400 | 10 |

1μA, 4-Bump UCSP/SOT23, Precision Current-Sense Amplifier

MAX9938

Applications Information

Choosing the Sense Resistor

Choose R_{SENSE} based on the following criteria:

Voltage Loss

A high R_{SENSE} value causes the power-source voltage to drop due to IR loss. For minimal voltage loss, use the lowest R_{SENSE} value.

OUT Swing vs. V_{RS+} and V_{SENSE}

The MAX9938 is unique since the supply voltage is the input common-mode voltage (the average voltage at $RS+$ and $RS-$). There is no separate V_{CC} supply voltage pin. Therefore, the OUT voltage swing is limited by the minimum voltage at $RS+$.

$V_{OUT(max)} = V_{RS+ (min)} - V_{SENSE(max)} - V_{OH}$
and

$$R_{SENSE} = \frac{V_{OUT(max)}}{G \times I_{LOAD(max)}}$$

V_{SENSE} full scale should be less than V_{OUT}/gain at the minimum $RS+$ voltage. For best performance with a 3.6V supply voltage, select R_{SENSE} to provide approximately 120mV (gain of 25V/V), 60mV (gain of 50V/V), 30mV (gain of 100V/V), or 15mV (gain of 200V/V) of sense voltage for the full-scale current in each application. These can be increased by use of a higher minimum input voltage.

Accuracy

In the linear region ($V_{OUT} < V_{OUT(max)}$), there are two components to accuracy: input offset voltage (V_{OS}) and gain error (GE). For the MAX9938, $V_{OS} = 500\mu\text{V}$ (max) and gain error is 0.5% (max). Use the linear equation:

$$V_{OUT} = (\text{gain} \pm \text{GE}) \times V_{SENSE} \pm (\text{gain} \times V_{OS})$$

to calculate total error. A high R_{SENSE} value allows lower currents to be measured more accurately because offsets are less significant when the sense voltage is larger.

Efficiency and Power Dissipation

At high current levels, the I^2R losses in R_{SENSE} can be significant. Take this into consideration when choosing the resistor value and its power dissipation (wattage) rating. Also, the sense resistor's value might drift if it is allowed to heat up excessively. The precision V_{OS} of the MAX9938 allows the use of small sense resistors to reduce power dissipation and reduce hot spots.

Kelvin Connections

Because of the high currents that flow through R_{SENSE} , take care to eliminate parasitic trace resistance from causing errors in the sense voltage. Either use a four-terminal current-sense resistor or use Kelvin (force and sense) PCB layout techniques.

Optional Output Filter Capacitor

When designing a system that uses a sample-and-hold stage in the ADC, the sampling capacitor momentarily loads OUT and causes a drop in the output voltage. If sampling time is very short (less than a microsecond), consider using a ceramic capacitor across OUT and GND to hold V_{OUT} constant during sampling. This also decreases the small-signal bandwidth of the current-sense amplifier and reduces noise at OUT.

Input Filters

Some applications of current-sense amplifiers need to measure currents accurately even in the presence of both differential and common-mode ripple, as well as a wide variety of input transient conditions. For example, high-frequency ripple at the output of a switching buck or boost regulator results in a common-mode voltage at the inputs of the MAX9938. Alternatively, fast load-current transients, when measuring at the input of a switching buck or boost regulator, can cause high-frequency differential sense voltages to occur at the inputs of the MAX9938, although the signal of interest is the average DC value. Such high-frequency differential sense voltages may result in a voltage offset at the MAX9938 output.

1 μ A, 4-Bump UCSP/SOT23, Precision Current-Sense Amplifier

The MAX9938 allows two methods of filtering to help improve performance in the presence of input common-mode voltage and input differential voltage transients. Figure 1 shows a differential input filter.

The capacitor C_{IN} between $RS+$ and $RS-$ along with the resistor R_{IN} between the sense resistor and $RS-$ helps filter against input differential voltages and prevents them from reaching the MAX9938.

The corner frequency of this filter is determined by the choice of R_{IN} , C_{IN} , and the value of the input resistance at $RS-$ ($R1$). See Table 1 for $R1$ values at the different gain options.

The value of R_{IN} should be chosen to minimize its effect on the input offset voltage due to the bias current at $RS-$. $R_{IN} \times I_{BIAS}$ contributes to the input voltage offset. I_{BIAS} is typically 0.2 μ A.

Placing R_{IN} at the $RS-$ input does not affect the gain error of the device because the gain is given by the ratio between R_{OUT} and $R1$ at $RS+$.

Figure 2 shows the input common-mode filter.

Again, the corner frequency of the filter is determined by the choice of R_{IN} , C_{IN} and is affected by $R1$.

In this case R_{IN} affects both gain error and input offset voltage. R_{IN} should be smaller than $R1$ so that it has negligible effect on the device gain. If, for example, a filter with $R_{IN} = 10\Omega$ and $C_{IN} = 1\mu F$ is built, then depending upon the gain selection, the gain error is affected by either 2.5% ($G = 25V/V$, $R1 = 400\Omega$) or 5% ($G = 50V/V$, $R1 = 200\Omega$) or 10% ($G = 100V/V$, $R1 = 100\Omega$) or 10% ($G = 200V/V$, $R1 = 100\Omega$).

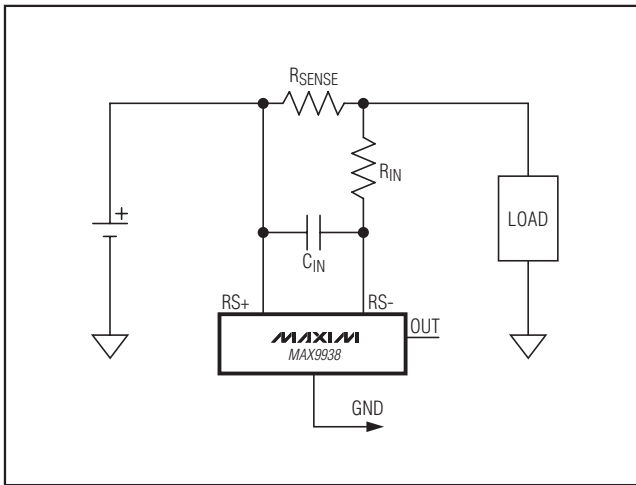


Figure 1. Differential Input Filter

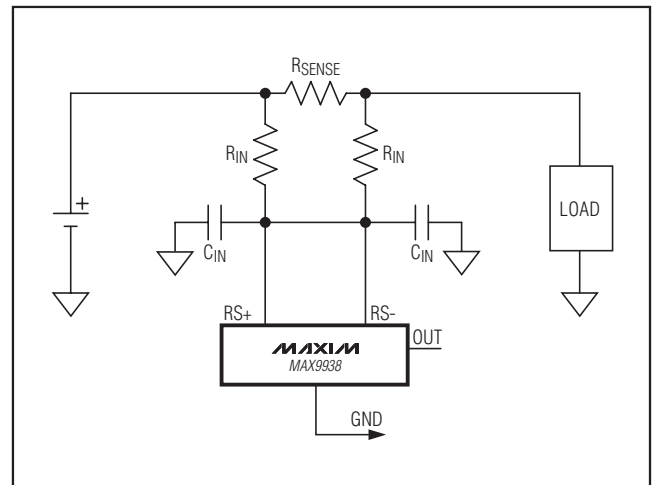


Figure 2. Input Common-Mode Filter

1 μ A, 4-Bump UCSP/SOT23, Precision Current-Sense Amplifier

MAX9938

Bidirectional Application

Battery-powered systems may require a precise bidirectional current-sense amplifier to accurately monitor the battery's charge and discharge currents. Measurements of the two separate outputs with respect to GND yields an accurate measure of the charge and discharge currents respectively (Figure 3).

UCSP Applications Information

For the latest application details on UCSP construction, dimensions, tape carrier information, PCB techniques, bump-pad layout, and recommended reflow temperature profile, as well as the latest information on reliability testing results, refer to the Application Note 1891: *Wafer-Level Packaging (WLP) and Its Applications* available on Maxim's website at www.maxim-ic.com/ucsp.

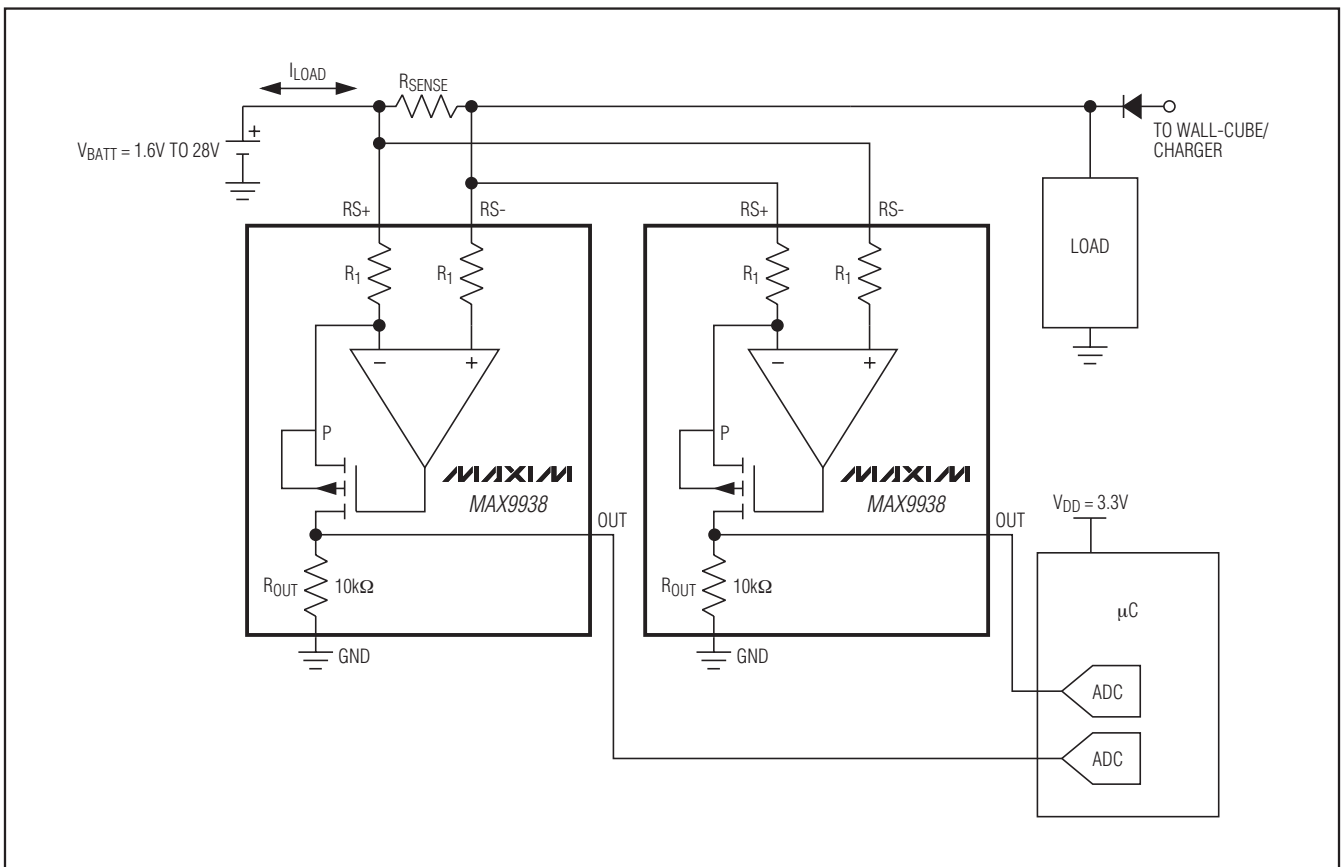


Figure 3. Bidirectional Application

Chip Information

PROCESS: BiCMOS

1µA, 4-Bump UCSP/SOT23, Precision Current-Sense Amplifier

Package Information

For the latest package outline information and land patterns, go to www.maxim-ic.com/packages. Note that a "+", "#", or "-" in the package code indicates RoHS status only. Package drawings may show a different suffix character, but the drawing pertains to the package regardless of RoHS status.

| PACKAGE TYPE | PACKAGE CODE | DOCUMENT NO. |
|--------------|--------------|-------------------------|
| 2 x 2 UCSP | B4+1 | 21-0117 |
| 5 SOT23 | U5-2 | 21-0057 |
| 6 µDFN | L622+1 | 21-0164 |

TOP VIEW

| COMMON DIMENSIONS | |
|-------------------|----------------|
| A | 0.62±0.05-0.08 |
| A1 | 0.29±0.02 |
| A2 | 0.33 REF. |
| b | ∅0.35±0.03 |
| D1 | 0.50 BASIC |
| E1 | 0.50 BASIC |
| e | 0.50 BASIC |
| SD | 0.25 BASIC |
| SE | 0.25 BASIC |

| PKG. CODE | VARIABLE DIMENSIONS | | DEPOPULATED SOLDER BALLS |
|-----------|---------------------|-----------|--------------------------|
| | D | E | |
| B4-1 | 1.00±0.05 | 1.00±0.05 | NONE |
| B4-2 | 1.05±0.05 | 1.05±0.05 | NONE |
| B4-3 | 1.10±0.05 | 1.10±0.05 | NONE |
| B4-4 | 0.97±0.05 | 0.97±0.05 | NONE |

NOTES:

- ALL DIMENSIONS ARE IN MILLIMETERS.
- PRODUCT MARKING: NUMBER OF CHARACTERS AND LINES VARY PER PRODUCT.

BOTTOM VIEW

SIDE VIEW

| | | |
|-------------------------------------|---------------------------------|------------|
| DALLAS SEMICONDUCTOR | | |
| MAXIM | | |
| PROPRIETARY INFORMATION | | |
| TITLE: PACKAGE OUTLINE, 2x2 UCSP | | |
| APPROVAL | DOCUMENT CONTROL NO. 21-0117 | REV. G 1/1 |

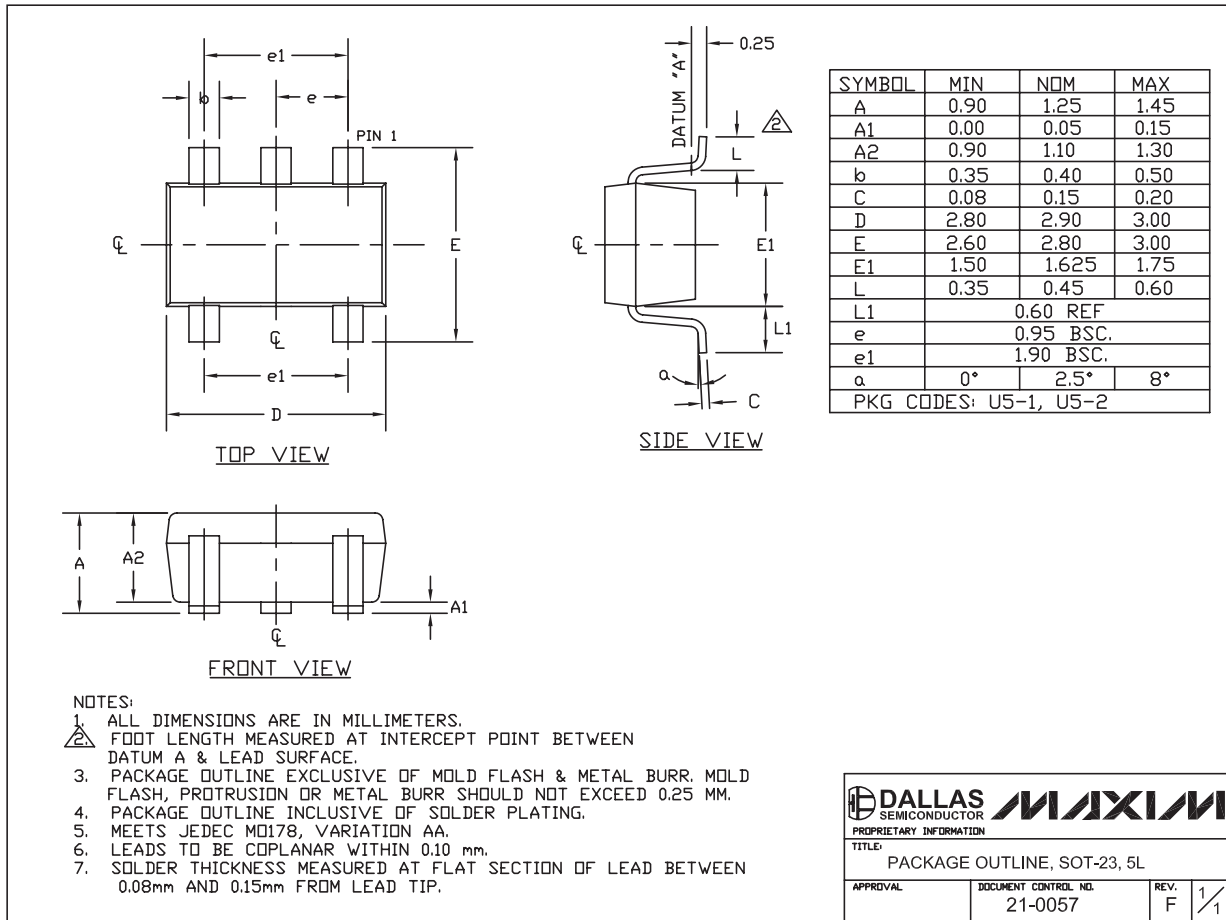
4L_UCSP 2x2.EPS

1 μ A, 4-Bump UCSP/SOT23, Precision Current-Sense Amplifier

Package Information (continued)

For the latest package outline information and land patterns, go to www.maxim-ic.com/packages. Note that a "+", "#", or "-" in the package code indicates RoHS status only. Package drawings may show a different suffix character, but the drawing pertains to the package regardless of RoHS status.

MAX9938



SOT-23 5L EPS

DALLAS SEMICONDUCTOR **MAXIM**
 PROPRIETARY INFORMATION

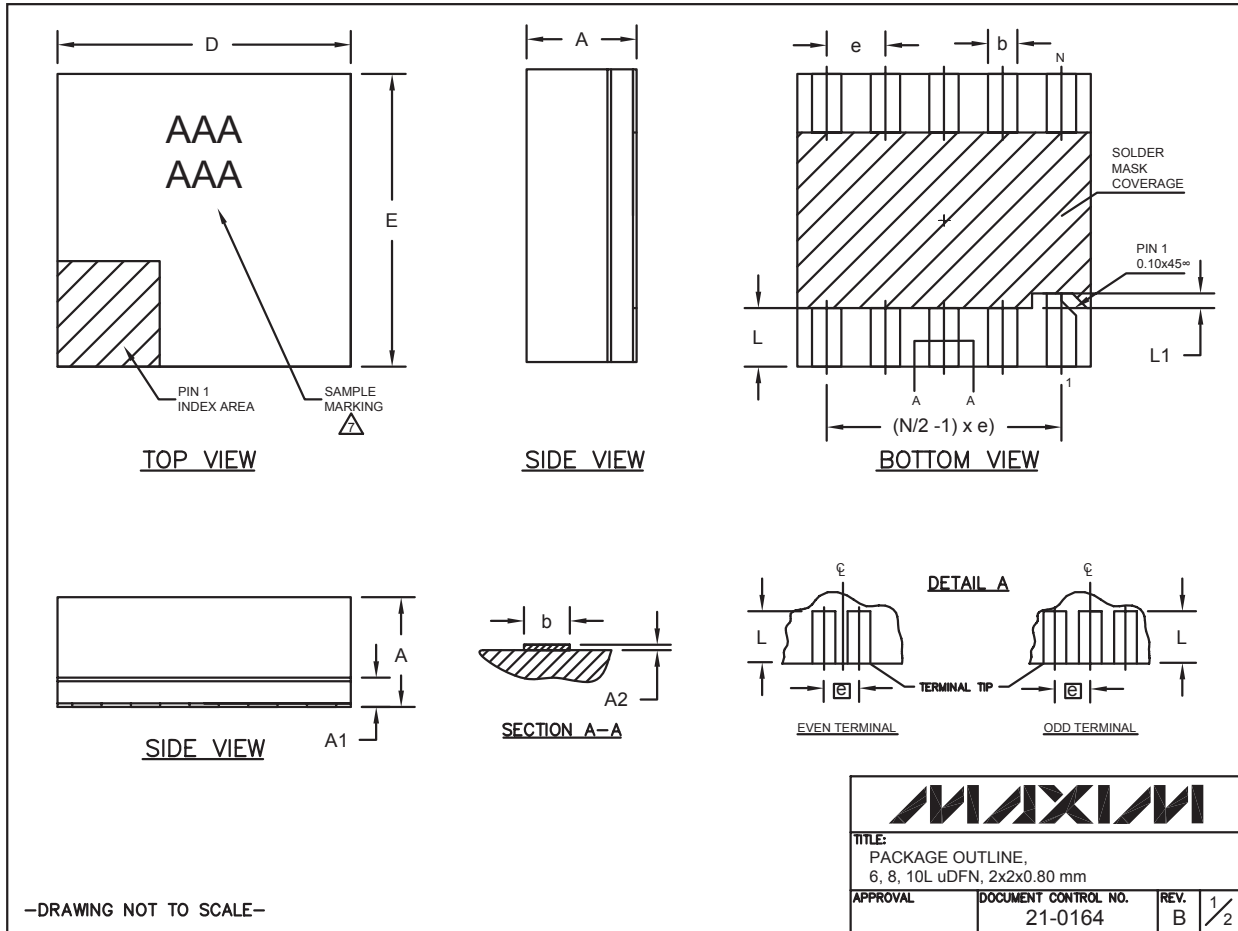
TITLE: PACKAGE OUTLINE, SOT-23, 5L

| | | | |
|----------|---------------------------------|-----------|-----|
| APPROVAL | DOCUMENT CONTROL NO. 21-0057 | REV. F | 1/1 |
|----------|---------------------------------|-----------|-----|

1µA, 4-Bump UCSP/SOT23, Precision Current-Sense Amplifier

Package Information (continued)

For the latest package outline information and land patterns, go to www.maxim-ic.com/packages. Note that a "+", "#", or "-" in the package code indicates RoHS status only. Package drawings may show a different suffix character, but the drawing pertains to the package regardless of RoHS status.



1 μ A, 4-Bump UCSP/SOT23, Precision Current-Sense Amplifier

MAX9938

Package Information (continued)

For the latest package outline information and land patterns, go to www.maxim-ic.com/packages. Note that a "+", "#", or "-" in the package code indicates RoHS status only. Package drawings may show a different suffix character, but the drawing pertains to the package regardless of RoHS status.

| COMMON DIMENSIONS | | | |
|-------------------|-----------|-------|-------|
| SYMBOL | MIN. | NOM. | MAX. |
| A | 0.70 | 0.75 | 0.80 |
| A1 | 0.15 | 0.20 | 0.25 |
| A2 | 0.020 | 0.025 | 0.035 |
| D | 1.95 | 2.00 | 2.05 |
| E | 1.95 | 2.00 | 2.05 |
| L | 0.30 | 0.40 | 0.50 |
| L1 | 0.10 REF. | | |

| PACKAGE VARIATIONS | | | | |
|--------------------|----|----------|-----------------|--------------|
| PKG. CODE | N | e | b | (N/2 -1) x e |
| L622-1 | 6 | 0.65 BSC | 0.30 \pm 0.05 | 1.30 REF. |
| L822-1 | 8 | 0.50 BSC | 0.25 \pm 0.05 | 1.50 REF. |
| L1022-1 | 10 | 0.40 BSC | 0.20 \pm 0.03 | 1.60 REF. |

NOTES:

1. ALL DIMENSIONS ARE IN mm. ANGLES IN DEGREES.
2. COPLANARITY SHALL NOT EXCEED 0.08mm.
3. WARPAGE SHALL NOT EXCEED 0.10mm.
4. PACKAGE LENGTH/PACKAGE WIDTH ARE CONSIDERED AS SPECIAL CHARACTERISTIC(S).
5. "N" IS THE TOTAL NUMBER OF LEADS.
6. NUMBER OF LEADS SHOWN ARE FOR REFERENCE ONLY.
7. Δ MARKING IS FOR PACKAGE ORIENTATION REFERENCE ONLY.
8. ONLY 8L PACKAGE COMPLIES TO JEDEC MO252.
9. ALL DIMENSIONS APPLY TO BOTH LEADED (-) AND PbFREE (+) PACKAGE CODES.

-DRAWING NOT TO SCALE-

| | | | |
|---|----------------------|------|-----|
|  | | | |
| TITLE: PACKAGE OUTLINE, 6, 8, 10L uDFN, 2x2x0.80 mm | | | |
| APPROVAL | DOCUMENT CONTROL NO. | REV. | 2/2 |
| | 21-0164 | B | |

1 μ A, 4-Bump UCSP/SOT23, Precision Current-Sense Amplifier

Revision History

| REVISION NUMBER | REVISION DATE | DESCRIPTION | PAGES CHANGED |
|-----------------|---------------|---|---------------|
| 0 | 4/08 | Initial release | — |
| 1 | 9/08 | Added μ DFN package information | 1, 2, 4, 5, 9 |
| 2 | 2/09 | Added G45 designation to part number | 1 |
| 3 | 10/09 | Added <i>Input Filters</i> section and MAX9938W to the data sheet | 1, 2, 6–9 |
| 4 | 2/10 | Updated EC table and <i>Input Filters</i> section | 2, 8 |

Maxim cannot assume responsibility for use of any circuitry other than circuitry entirely embodied in a Maxim product. No circuit patent licenses are implied. Maxim reserves the right to change the circuitry and specifications without notice at any time.

14 **Maxim Integrated Products, 120 San Gabriel Drive, Sunnyvale, CA 94086 408-737-7600**