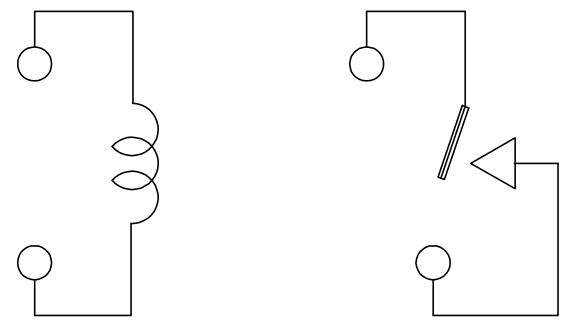
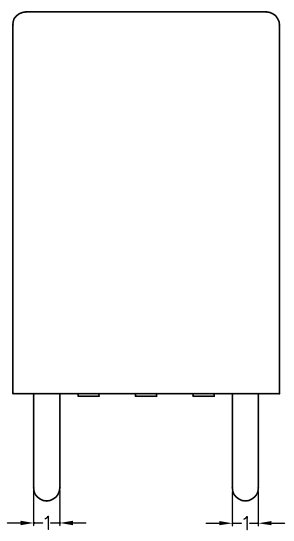
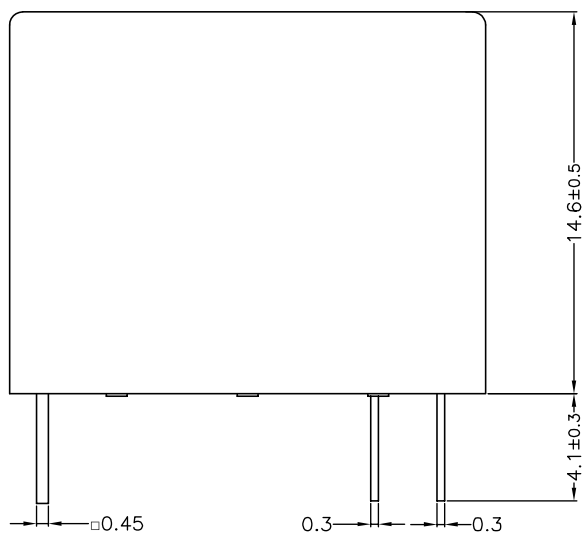
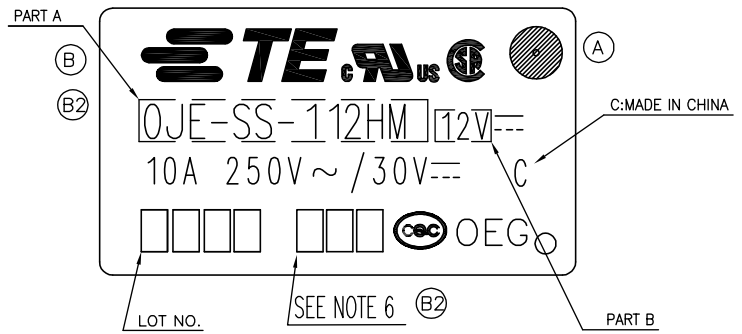


THIS DRAWING IS UNPUBLISHED. RELEASED FOR PUBLICATION
 © COPYRIGHT - By - TE CONNECTIVITY ALL RIGHTS RESERVED.

LOC	DIST	REVISIONS					
		P	LTR	DESCRIPTION	DATE	DWN	APVD
HB	-		B2	CHANGE LOGO&ADD LINE IDENTIFICATION ECO-12-001771	21Aug2012	HYS	YBH



CONNECTION FIGURE

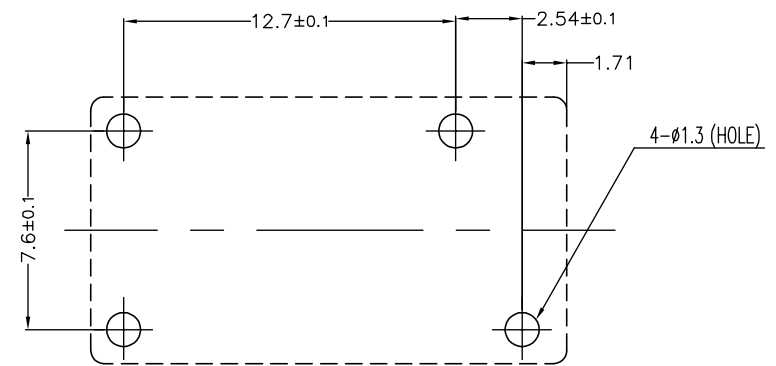
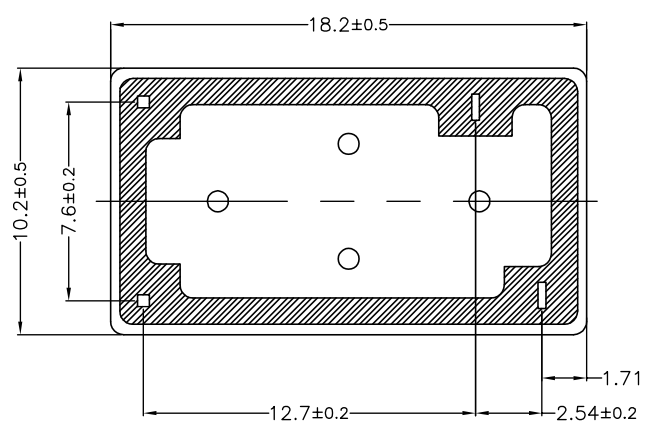


FIGURE FOR PRINTED CIRCUIT BOARD PROCESSING (BOTTOM VIEW)



THIS DRAWING IS A CONTROLLED DOCUMENT.		DWN	H.SASAKI		TE Connectivity
DIMENSIONS: mm		CHK	Y.OIKAWA		
TOLERANCES UNLESS OTHERWISE SPECIFIED:		APVD	A.NAGAI		NAME
0 PLC ±-		PRODUCT SPEC	SEE PRODUCT SPEC		OJE-SH-HM CUSTOMER DRAWING
1 PLC ±-		APPLICATION SPEC	-		RESTRICTED TO
2 PLC ±-		SIZE	CAGE CODE	DRAWING NO	
3 PLC ±-		3	00779	G= 1461402	
4 PLC ±-		WEIGHT	-		
ANGLES ±-		CUSTOMER DRAWING			SCALE 5:1 SHEET 1 of 2 REV B2

THIS DRAWING IS UNPUBLISHED. RELEASED FOR PUBLICATION
 © COPYRIGHT - By - TE CONNECTIVITY ALL RIGHTS RESERVED.

LOC	DIST	REVISIONS					
		P	LTR	DESCRIPTION	DATE	DWN	APVD
HB	-		-	SEE SHEET 1	-	-	-

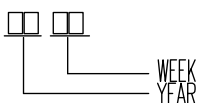
PART STATUS	TE CONNECTIVITY PART NO	TE CONNECTIVITY TYPE NAME	PACKAGE SPEC.	PART B	PART A	TYPE
ⓑ2 OBSOLETE	1461402-1	OJE-SH-148HM	107-79010	48V	OJE-SH-148HM	g
ACTIVE	1461402-2	OJE-SH-124HM	107-79010	24V	OJE-SH-124HM	f
ACTIVE	1461402-6	OJE-SH-112HM	107-79010	12V	OJE-SH-112HM	e
ⓑ2 OBSOLETE	1461402-3	OJE-SH-109HM	107-79010	9V	OJE-SH-109HM	d
ⓑ2 OBSOLETE	1461402-5	OJE-SH-106HM	107-79010	6V	OJE-SH-106HM	c
ACTIVE	1461402-4	OJE-SH-105HM	107-79010	5V	OJE-SH-105HM	b
ⓑ2 OBSOLETE	1461402-7	OJE-SH-103HM	107-79010	3V	OJE-SH-103HM	a

RELAY TYPE

ⓑ ⓐ

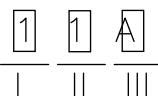
NOTES:

1.LOT NO. SYSTEM AS FOLLOWING:



ⓑ2

5.ADD LOT NO. SYSTEM AS FOLLOWING;



I, DIGITS FOR DAY OF THE WEEK

1...MONDAY IN THIS WEEK;

2...TUESDAY IN THIS WEEK;

.....

7...SUNDAY IN THIS WEEK

II, DIGITS FOR SHIFT OF THE DAY

1...DAY SHIFT IN THIS DAY;

2...NIGHT SHIFT IN THIS DAY;

III, ONE CHARACTER DISTINGUISH THE LINE IDENTITY, SUCH AS: A,B.....Z

ⓑ2 2.TERMINAL DIMENSION IS BEFORE SOLDER DIP;

ⓑ2 3.FOR THE TIN-PLATING OF THE PINS:

+0.1mm FOR WIDTH,THICKNESS AND DIAMETER.

+0.5mm FOR LENGTH.

ⓑ2 4.MARKING FROM INK TO LASER.

		UV RESIN	SEAL (VENT HOLE)	16
		EPOXY RESIN	SEAL (BASE & BOBBIN)	15
		3UEW	MAGNETIC WIRE	14
94V-0		P.B.T	CASE	13
94V-0		P.B.T	BASE	12
94V-0		P.B.T	BOBBIN	11
	SOLDER DIP	C.P WIRE	COIL TERMINAL	10
94V-0		P.P.S	CARD	9
		Ag ALLOY	MOVABLE CONTACT	8
		Ag	NO.CONTACT	7
		STEEL	HINGE SPRING	6
	SOLDER DIP	PBP	NO.TERMINAL	5
	SOLDER DIP	Cu ALLOY	MOVABLE SPRING	4
	NIP	STEEL	CORE	3
	NIP	STEEL	ARMATURE	2
	NIP	STEEL	YOKE	1
INCOMBUSTIBILITY	TREATMENT	MATERIAL	DESCRIPTION	ITEM

THIS DRAWING IS A CONTROLLED DOCUMENT.		DWN	H.SASAKI		TE Connectivity						
		CHK	Y.OIKAWA								
DIMENSIONS: mm		APVD	A.NAGAI		NAME OJE-SH-HM CUSTOMER DRAWING						
		PRODUCT SPEC	SEE PRODUCT SPEC								
TOLERANCES UNLESS OTHERWISE SPECIFIED:		APPLICATION SPEC	-		SIZE CAGE CODE DRAWING NO RESTRICTED TO A3 00779 G= 1461402 -						
0 PLC ± - 1 PLC ± - 2 PLC ± - 3 PLC ± - 4 PLC ± - ANGLES ± -		WEIGHT	-								
MATERIAL		FINISH		-		SCALE	5:1	SHEET	2 of 2	REV	B2
		CUSTOMER DRAWING									