

Single Port RJ45 Connector
with Integrated Magnetics and LED
for 10/100Base-TX NIC Applications



898 Faustich Court, San Jose, CA 95112
Phone: (408) 452-9500 · Fax: (408) 452-9510

Part Number:

ON-HY941105C

Electrical Specification @25° C

RoHS Compliant (PB Free)

Isolation: 1500Vrms (UTP Side to Chip Side)

OCL: 350uH Minimum @100KHz 100mV with 8mADC

Insertion Loss: -1.0dB Maximum @300KHz ~ 100MHz

Return Loss: -20dB Minimum @1MHz ~ 10MHz

-16dB Minimum @10MHz ~ 30MHz

-12dB Minimum @30MHz ~ 60MHz

-10dB Minimum @60MHz ~ 80MHz

Common Mode Rejection: -30dB Minimum @1MHz ~ 50MHz

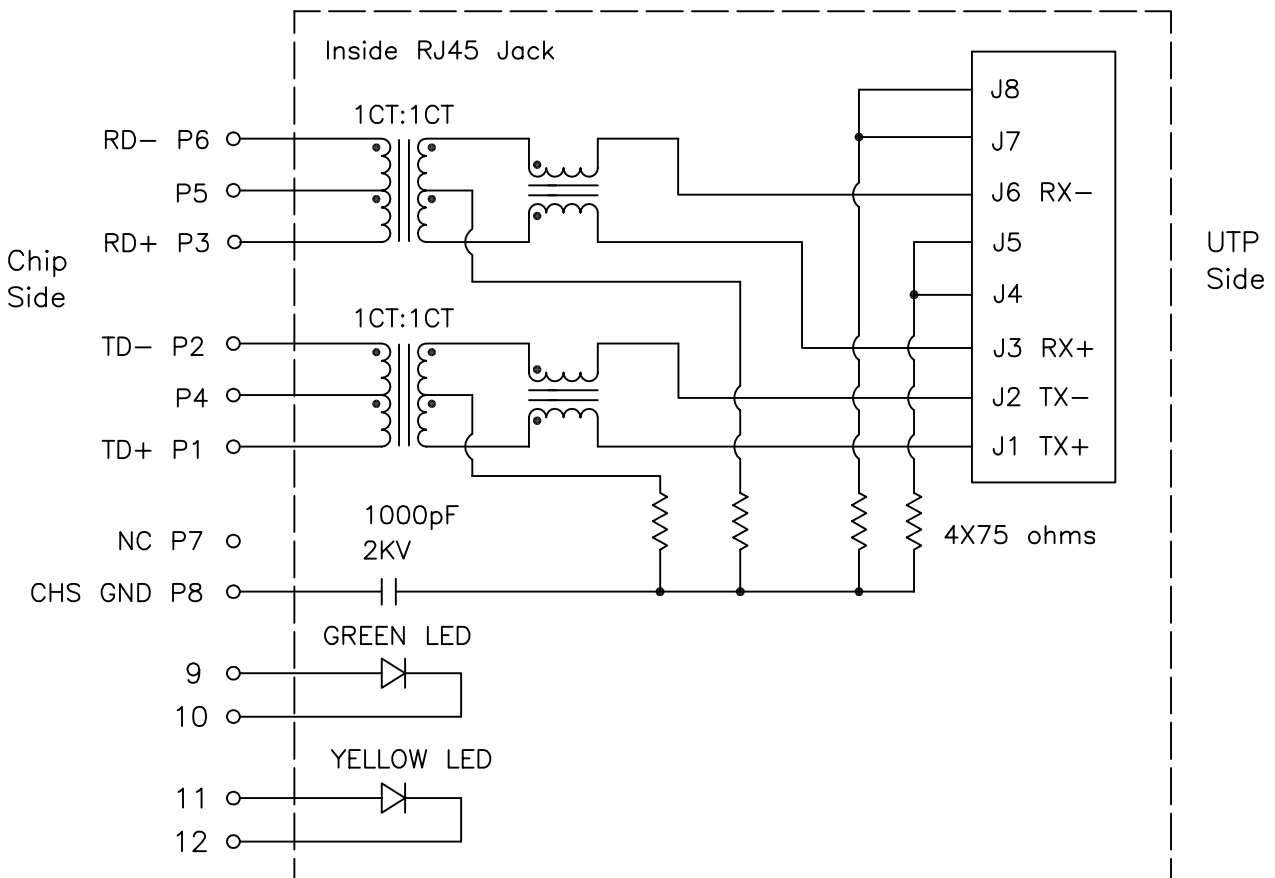
-20dB Minimum @50MHz ~ 150MHz

Crosstalk: -40dB Minimum @1MHz ~ 30MHz

-35dB Minimum @30MHz ~ 60MHz

-30dB Minimum @60MHz ~ 100MHz

Schematics



Notes: Connect CHS GND to PCB Ground

Part No: ON-HY941105C	Unless otherwise specified, Tolerance: .xx ±0.25	Rev: A	DRWN:	Date:
		Page 1/2	APPD:	Date:

Single Port RJ45 Connector
with Integrated Magnetics

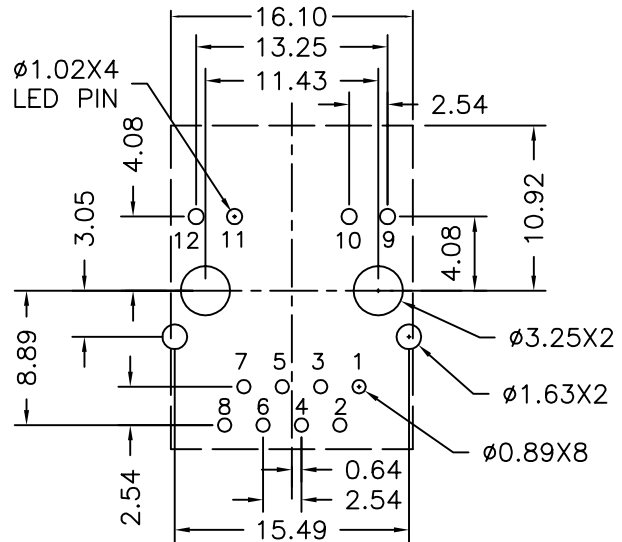
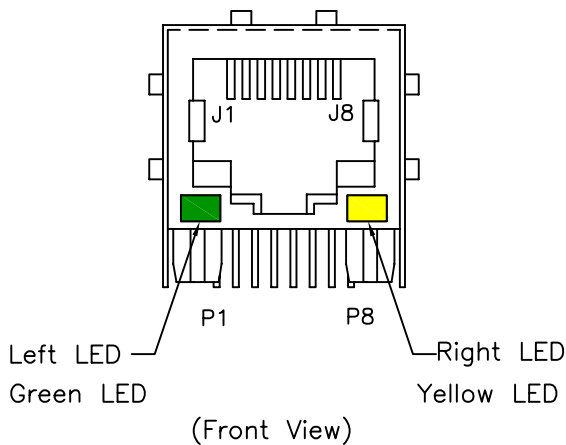
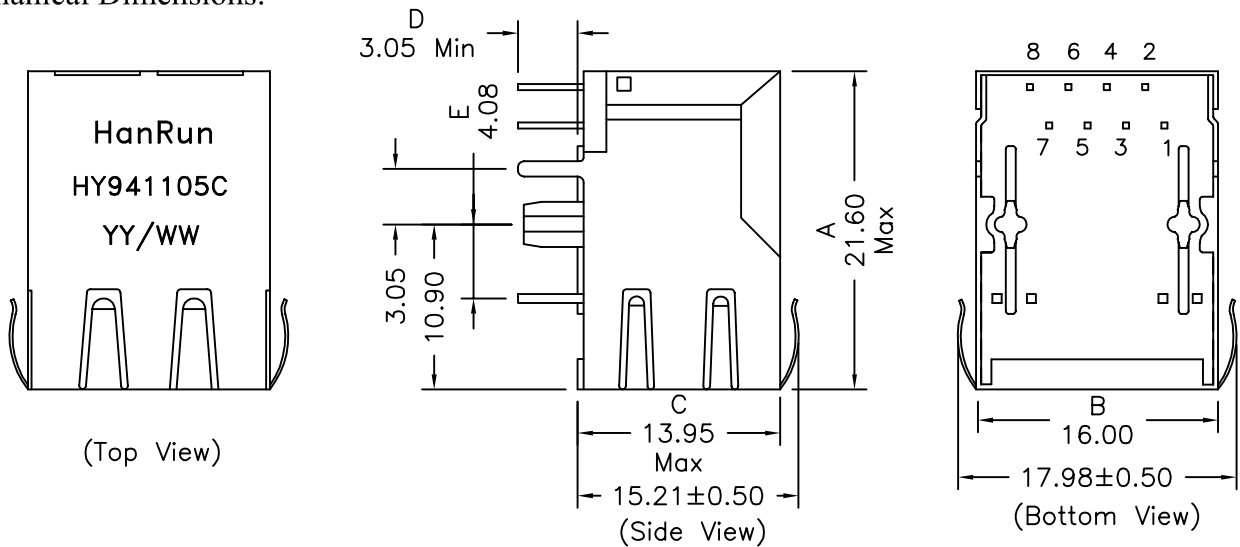


898 Faulstich Court, San Jose, CA 95112
Phone: (408) 452-9500 · Fax: (408) 452-9510

Part Number
ON-HY941105C

- RoHS Compliant (PB Free)
- Meets or Exceeds IEEE802.3 standards including 350uH Min OCL with 8mADC
- High performance for EMI suppression, Crosstalk, Return Loss and Consistent Electrical
- Minimum 1500Vrms isolation per IEEE802.3 requirement
- Minimize PCB space and Simplify PCB Layout
- Less magnetic components to be placed on PCB, higher reliability and yields

Mechanical Dimensions:



(Component Side View)
(Mounting Pattern)

Standard LED	Wavelength	Forward V (Min/Max)	Forward A	Type
Green	568nm	1.8V/2.8V	20mA	squareness
Yellow	585nm	1.8V/2.8V	20mA	squareness

Part No: ON-HY941105C	Unless otherwise specified, Tolerance: .xx ±0.25	Rev: A	DRWN:	Date:
		Page 2/2	APPD:	Date: