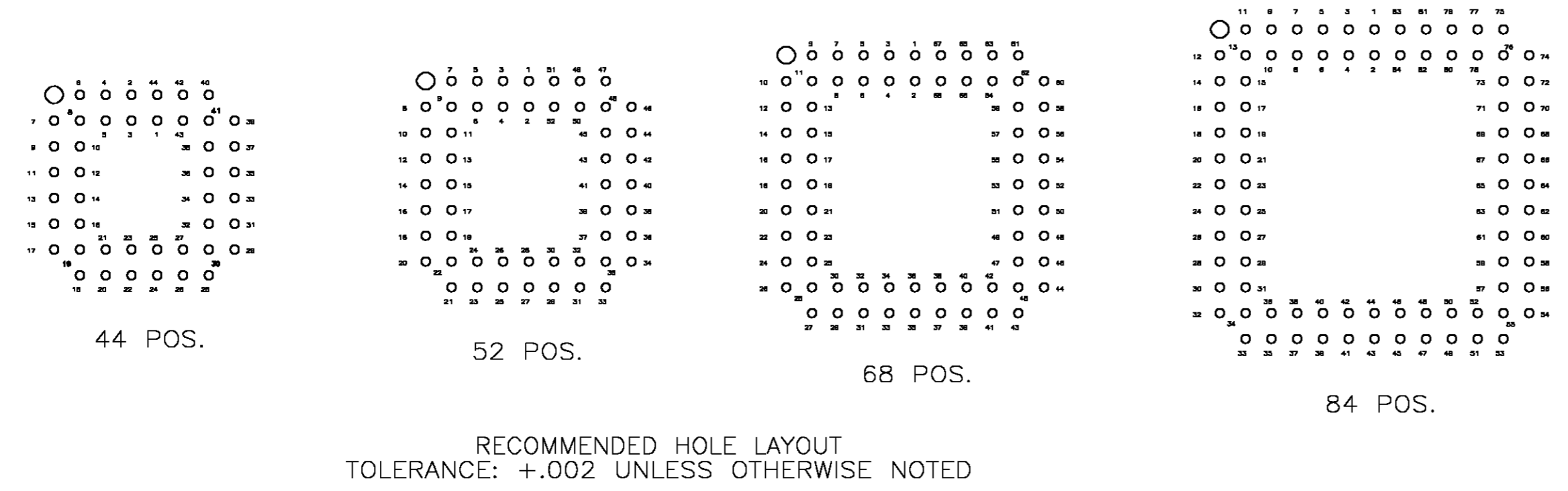


THIS DRAWING IS UNPUBLISHED. RELEASED FOR PUBLICATION  
 © COPYRIGHT BY TYCO ELECTRONICS CORPORATION. ALL RIGHTS RESERVED.

LOC	DIST	REVISIONS					
AG	86	P	LTR	DESCRIPTION	DATE	DWN	APVD
		B		REVISED PER EC 0G3C 0100 04	23SEP04	BSV	KW



**SPECIFICATION:**

**MATERIALS:**  
 CONTACT: COPPER ALLOY, TIN/LEAD PLATE OVER NICKEL.  
 INSULATOR: PPS

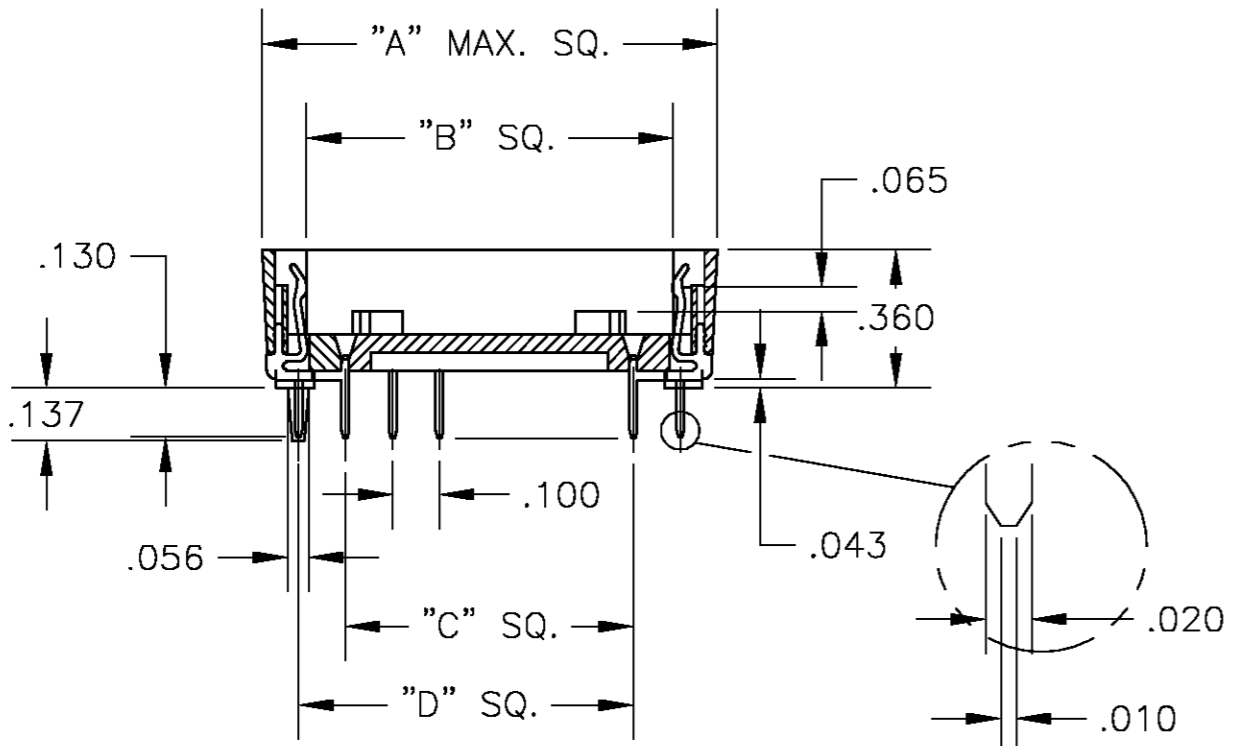
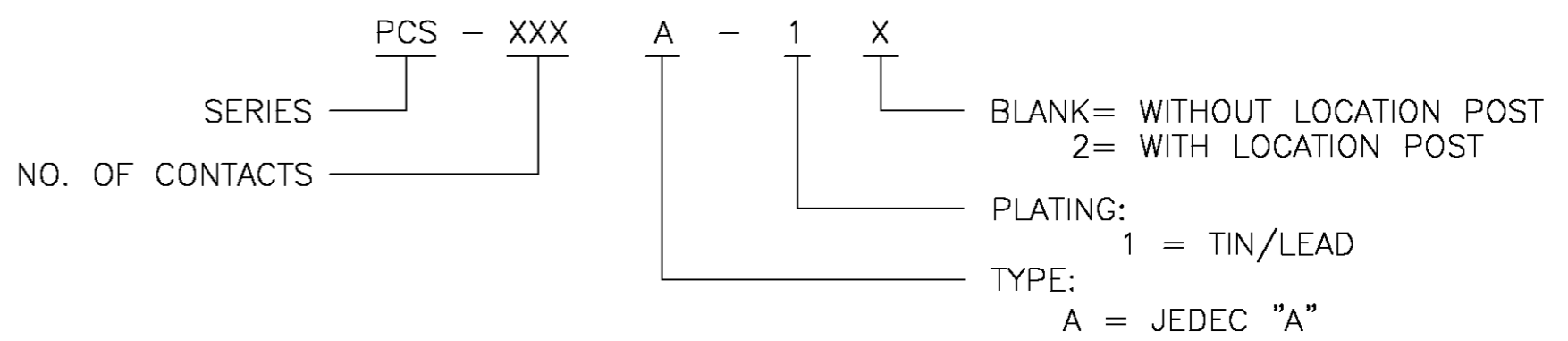
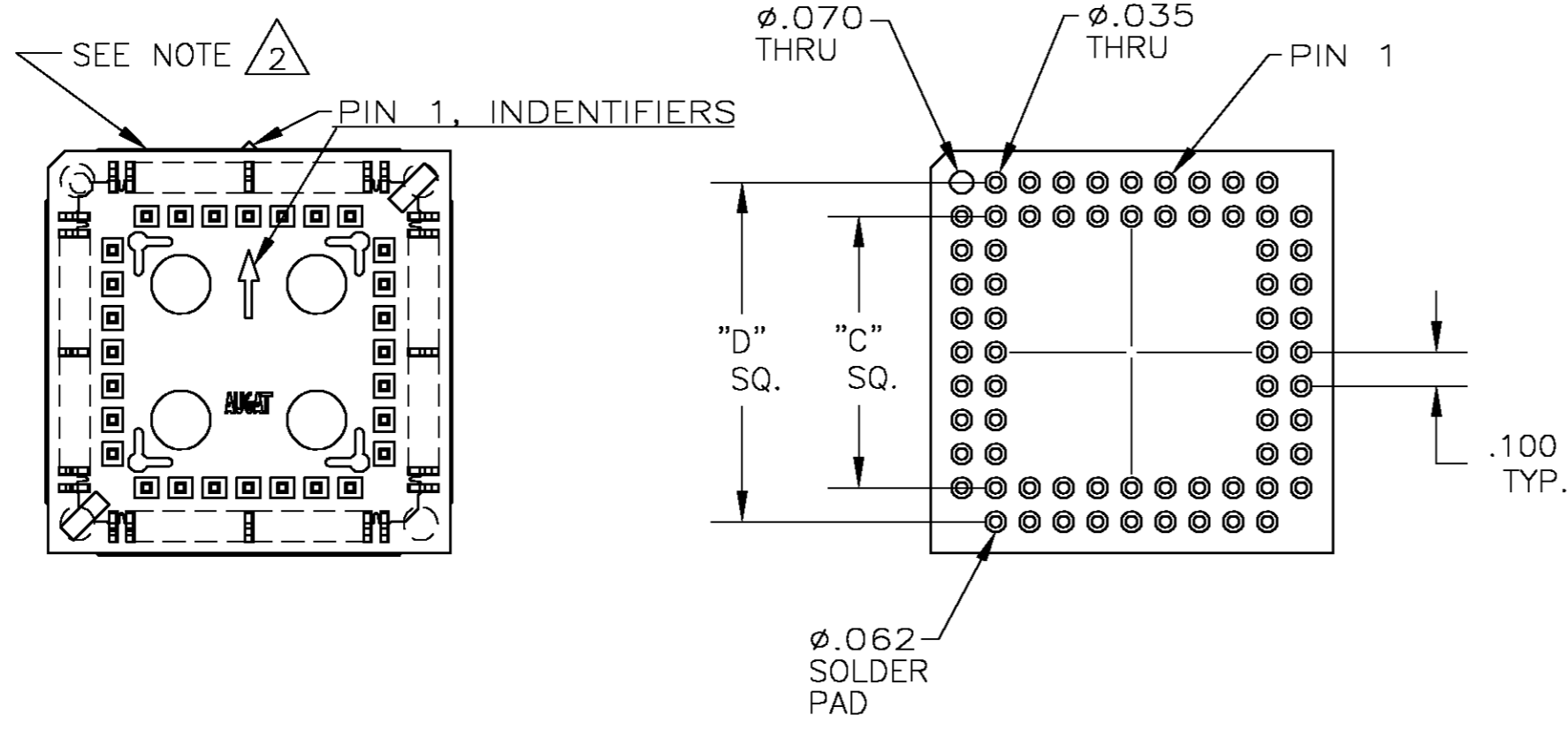
**ELECTRICAL:**  
 CURRENT CAPACITY: 1 AMP.  
 LOW LEVEL CONTACT RESISTANCE: 30 MILLIOHMS MAX.  
 CAPACITANCE (CONTACT TO CONTACT): 1 pF MAX.  
 @ 1kHz, MIL-STD-202, METHOD 305.  
 DIELECTRIC WITHSTANDING VOLTAGE: 600 VAC PER MIL-STD-1344, METHOD 3001.1.

**MECHANICAL:**  
 FORCE, INSERTION: 310g MAX. PER LINE.  
 FORCE, WITHDRAWAL: 31g MIN. PER LINE.  
 FORCE, NORMAL: 200g MIN. PER LINE.

**ENVIRONMENTAL:**  
 OPERATING TEMPERATURE: -67°F TO +221°F (-55°C TO +105°C.)  
 STORAGE TEMPERATURE: -67°F TO +221°F (-55°C TO +105°C.)

**NOTES:**

- INTERPRET DRAWING PER ASME Y14.5M-1994.
- DATE CODE (PER BELOW) TO BE LASER CODED AND CENTERED ON THIS SURFACE.



TYCO PT. NO.	AUGAT PT. NO.	DIM. "A"	DIM. "B"	DIM. "C"	DIM. "D"
2-1437528-6	PCS-044A-1X	.890	.660	.500	.700
3-1437528-4	PCS-052A-1X	.990	.760	.600	.800
4-1437528-2	PCS-068A-1X	1.190	.960	.800	1.000
4-1437528-9	PCS-084A-1X	1.390	1.160	1.000	1.200

THIS DRAWING IS A CONTROLLED DOCUMENT.		DWN D. MURREN 26AUG2003	Tyco Electronics Corporation Harrisburg, Pa 17105-3808	
DIMENSIONS: INCHES	TOLERANCES UNLESS OTHERWISE SPECIFIED:	CHK K. WRIGHT 24APR03	NAME K. WRIGHT 24APR03	RESTRICTED TO
	0 PLC ±	PRODUCT SPEC		SIZE
	1 PLC ±	APPLICATION SPEC		CAGE CODE
	2 PLC ±	WEIGHT		DRAWING NO
	3 PLC ± .010	CUSTOMER DRAWING		SCALE
	4 PLC ±			SHEET
	ANGLES ± 1°			OF
MATERIAL SEE SPECIFICATION	FINISH SEE SPECIFICATION	A2 00779 C=2-1437528-6		REV
		2:1		B