



### Features

- Formerly *JW.Miller* model
- Current rating up to 7 A
- Compact size
- Tape and reel packaging
- RoHS compliant\*

### Applications

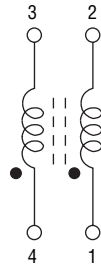
- Filtering
- Common mode

## PM3700 Series - SMD Common Mode Choke

### Electrical Specifications

| Bourns Part No. | Inductance<br>mH Min.<br>@ 1 KHz | Part<br>Marking | DCR<br>( $\Omega$ )<br>Max. | I <sub>rms</sub><br>(A) | Leakage<br>Inductance<br>( $\mu$ H) Typ. | Typical Frequency<br>Range with<br>20 dB Atten. |
|-----------------|----------------------------------|-----------------|-----------------------------|-------------------------|--|---|
| PM3700-10-RC    | 0.2                              | 201             | 0.008                       | 7.0                     | 1.6                                      | 5 - 55 MHz                                      |
| PM3700-20-RC    | 0.5                              | 501             | 0.010                       | 6.0                     | 2.2                                      | 4 - 40 MHz                                      |
| PM3700-30-RC    | 0.75                             | 751             | 0.012                       | 5.5                     | 2.9                                      | 1 - 20 MHz                                      |
| PM3700-40-RC    | 1.0                              | 102             | 0.020                       | 4.0                     | 3.9                                      | 500 KHz - 40 MHz                                |
| PM3700-50-RC    | 2.0                              | 202             | 0.030                       | 3.5                     | 0.3                                      | 300 KHz - 20 MHz                                |
| PM3700-60-RC    | 5.0                              | 502             | 0.070                       | 2.0                     | 0.4                                      | 100 KHz - 10 MHz                                |
| PM3700-70-RC    | 10                               | 103             | 0.150                       | 1.5                     | 0.5                                      | 50 KHz - 5 MHz                                  |
| PM3700-80-RC    | 20                               | 203             | 0.250                       | 1.0                     | 0.7                                      | 25 KHz - 4 MHz                                  |

### Schematics



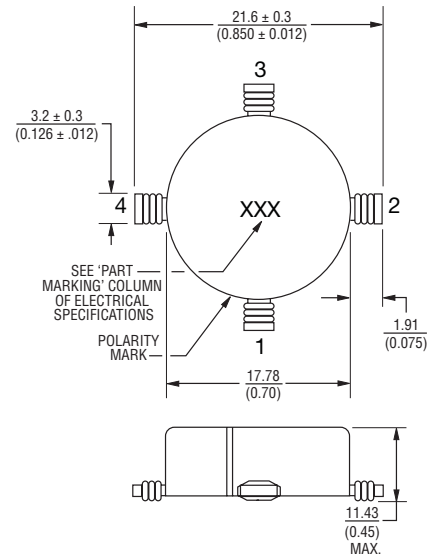
### General Specifications

Temperature Rise ... 35 °C typical at I<sub>rms</sub>  
 Operating Temperature ..... -55 °C to +125 °C  
 Storage Temperature ..... -55 °C to +125 °C  
 Soldering ..... 245 °C, 5 seconds max.  
 Dielectric Strength ..... 500 Vrms  
 between windings

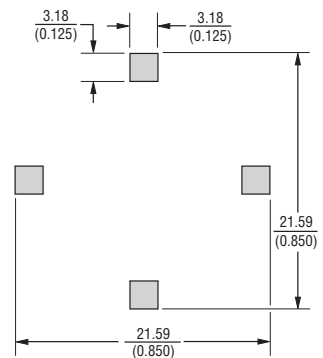
### Materials

Core ..... Ferrite  
 Wire ..... Polyester-coated copper  
 Terminal Coating ..... Sn-Ag-Cu alloy  
 Packaging ..... 200 pcs. per 13-inch reel

### Product Dimensions



### Recommended Pad Layout



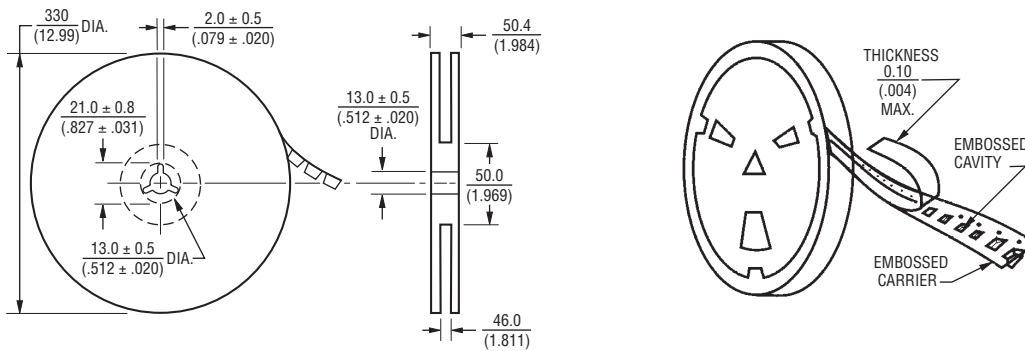
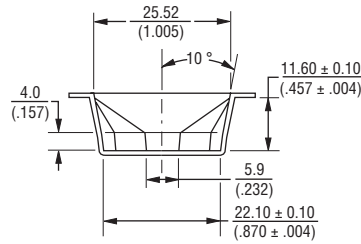
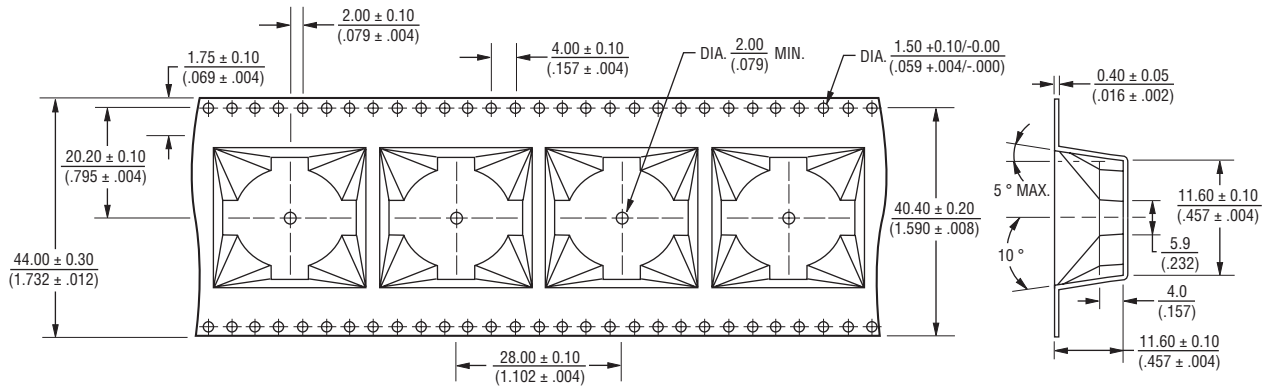
DIMENSIONS:  $\frac{\text{MM}}{\text{(INCHES)}}$

\*RoHS Directive 2002/95/EC Jan 27 2003 including Annex.  
 Specifications are subject to change without notice.  
 Customers should verify actual device performance in their specific applications.

# PM3700 Series - SMD Common Mode Choke

**BOURNS®**

## Packaging Specifications



DIMENSIONS:  $\frac{\text{MM}}{\text{(INCHES)}}$

REV. 01/10

Specifications are subject to change without notice.  
Customers should verify actual device performance in their specific applications.