

## DUAL 10-A OUTPUTS, 4.75-V to 14-V INPUT, NON-ISOLATED, DIGITAL POWERTRAIN™ MODULE

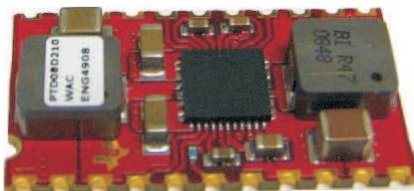
Check for Samples: [PTD08D210W](#)

### FEATURES

- Dual 10-A Outputs
- 4.75-V to 14-V Input Voltage
- Programmable Wide-Output Voltage (0.7 V to 3.6 V)
- Efficiencies up to 96%
- Digital I/O
  - PWM signal
  - Fault Flag (FF)
  - Synchronous Rectifier Enable (SRE)
- Analog I/O
  - Temperature
  - Output current
- Safety Agency Approvals: (Pending)
  - UL/IEC/CSA-C22.2 60950-1
- Operating Temperature: –40°C to 85°C

### APPLICATIONS

- Digital Power Systems using UCD9XXX Digital Controllers



### DESCRIPTION

The PTD08D210W is a high-performance dual 10-A output, non-isolated digital PowerTrain module. This module is the power conversion section of a digital power system which incorporates TI's UCD7242 MOSFET/driver IC. The PTD08D210W must be used in conjunction with a digital power controller such as the UCD9240, UCD9220 or UCD9110 family. The PTD08D210W receives control signals from the digital controller and provides parametric and status information back to the digital controller. Together, PowerTrain modules and a digital power controller form a sophisticated, robust, and easily configured power management solution.

Operating from an input voltage range of 4.75 V to 14 V, the PTD08D210W provides step-down power conversion to a wide range of output voltages from, 0.7 V to 3.6 V. The wide input voltage range makes the PTD08D210W particularly suitable for advanced computing and server applications that utilize a loosely regulated 8-V, 9.6-V or 12-V intermediate distribution bus. Additionally, the wide input voltage range increases design flexibility by supporting operation with tightly regulated 5-V or 12-V intermediate bus architectures.

The module incorporates output over-current and temperature monitoring which protects against most load faults. Output current and module temperature signals are provided for the digital controller to permit user defined over-current and over-temperature warning and fault scenarios.

The module uses single-sided, pin-less surface mount construction to provide a low profile and compact footprint. The package is lead (Pb) - free and RoHS compatible.



Please be aware that an important notice concerning availability, standard warranty, and use in critical applications of Texas Instruments semiconductor products and disclaimers thereto appears at the end of this data sheet.

POWERTRAIN is a trademark of Texas Instruments.

PRODUCTION DATA information is current as of publication date. Products conform to specifications per the terms of the Texas Instruments standard warranty. Production processing does not necessarily include testing of all parameters.

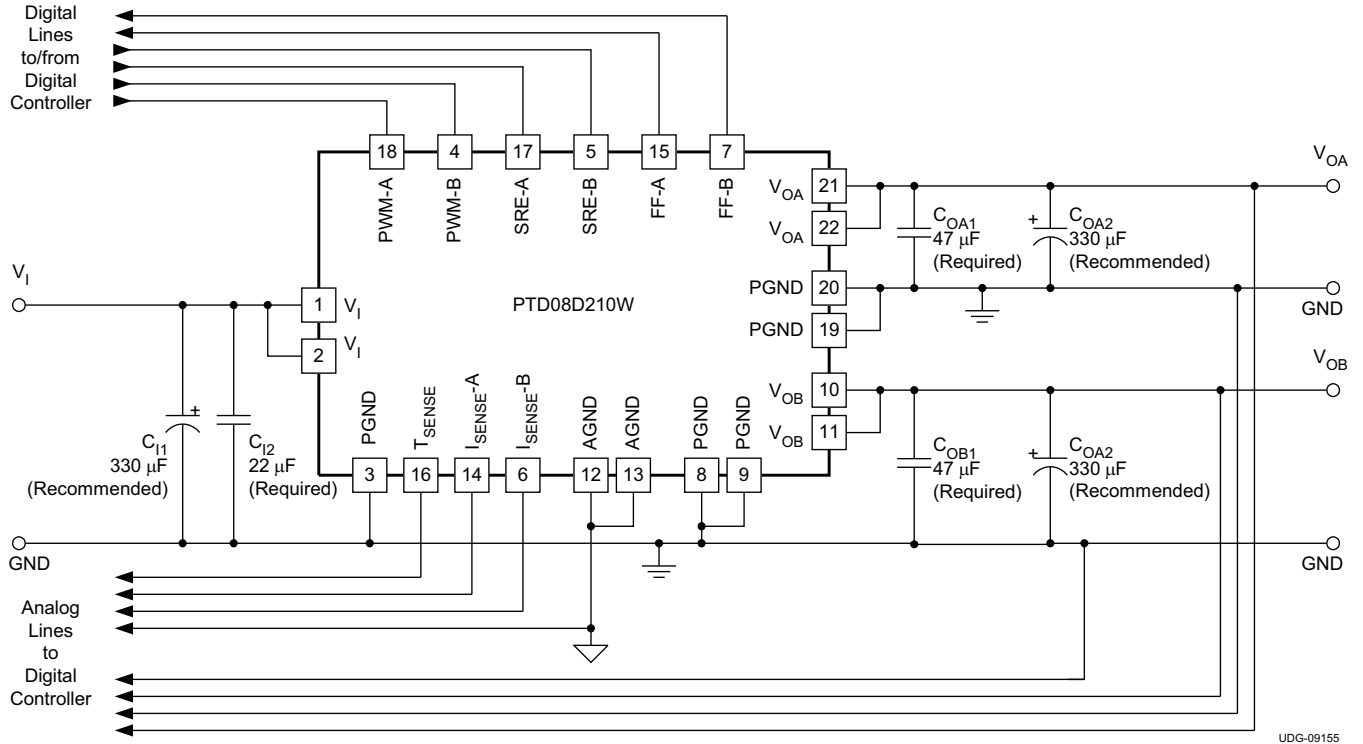
Copyright © 2009–2010, Texas Instruments Incorporated



This integrated circuit can be damaged by ESD. Texas Instruments recommends that all integrated circuits be handled with appropriate precautions. Failure to observe proper handling and installation procedures can cause damage.

ESD damage can range from subtle performance degradation to complete device failure. Precision integrated circuits may be more susceptible to damage because very small parametric changes could cause the device not to meet its published specifications.

### Standard PTD08D210W Application



UDG-09155

### ORDERING INFORMATION

For the most current package and ordering information, see the Package Option Addendum at the end of this datasheet, or see the TI website at [www.ti.com](http://www.ti.com).

### DATASHEET TABLE OF CONTENTS

DATASHEET SECTION	PAGE NUMBER
ENVIRONMENTAL AND ABSOLUTE MAXIMUM RATINGS	3
ELECTRICAL CHARACTERISTICS TABLE	4
TERMINAL FUNCTIONS	5
TYPICAL CHARACTERISTICS ( $V_I = 12V$ )	6
TYPICAL CHARACTERISTICS ( $V_I = 5V$ )	8
TYPICAL APPLICATION SCHEMATIC	10
GRAPHICAL USER INTERFACE VALUES	11
TAPE & REEL AND TRAY DRAWINGS	12

### ENVIRONMENTAL AND ABSOLUTE MAXIMUM RATINGS

(Voltages are with respect to GND)

				UNIT
$V_I$	Input voltage		16	V
$T_A$	Operating temperature range	Over $V_I$ range	-40 to 85	°C
$T_{\text{reflow}}$	Solder reflow temperature	Surface temperature of module body	260 <sup>(1)</sup>	
$T_{\text{stg}}$	Storage temperature		-55 to 125 <sup>(2)</sup>	
	Mechanical shock	Per Mil-STD-883D, Method 2002.3, 1 msec, 1/2 sine, mounted	275	G
	Mechanical vibration	Mil-STD-883D, Method 2007.2, 20-2000 Hz	10	
	Weight		3.9	grams
MTBF	Reliability	Per Telcordia SR-332, 50% stress, $T_A = 40^\circ\text{C}$ , ground benign	13.3	10 <sup>6</sup> Hr
	Flammability	Meets UL94V-O		

(1) During reflow do not elevate peak temperature of the module or internal components above the stated maximum.

(2) The shipping tray or tape and reel cannot be used to bake parts at temperatures higher than 65°C.

## ELECTRICAL CHARACTERISTICS

### PTD08D210W

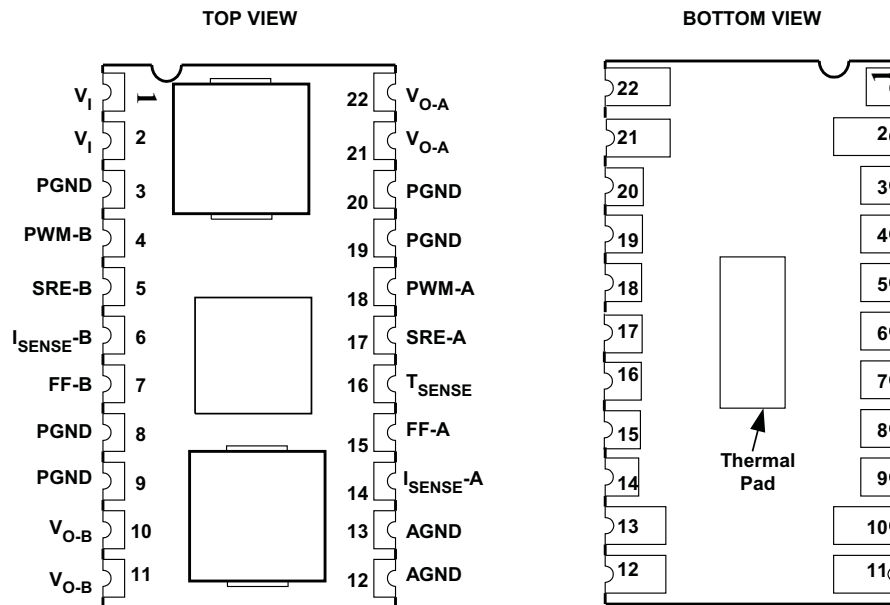
$T_A = 25^\circ\text{C}$ ,  $F_{\text{SW}} = 750\text{kHz}$ ,  $V_I = 12\text{V}$ ,  $V_O = 1.2\text{V}$ ,  $C_{I1} = 330\ \mu\text{F}$ ,  $C_{I2} = 22\ \mu\text{F}$  ceramic,  $C_{O1} = 47\ \mu\text{F}$  ceramic,  $C_{O2} = 330\ \mu\text{F}$ ,  $I_O = I_{O(\text{max})}$ , single output (unless otherwise stated)

PARAMETER	TEST CONDITIONS	PTD08D210W			UNIT
		MIN	TYP	MAX	
$I_O$ Output current	Over $V_O$ range   $25^\circ\text{C}$ , natural convection	0		10	A
$V_I$ Input voltage range	Over $I_O$ range	4.75		14	V
$V_{\text{OAdj}}$ Output voltage adjust range	Over $I_O$ range	0.7		3.6 <sup>(1)</sup>	V
$\eta$ Efficiency	$I_O = 10\text{A}$ , $f_s = 750\text{kHz}$	$V_O = 3.3\text{V}$		92.8%	
		$V_O = 2.5\text{V}$		91.4%	
		$V_O = 1.8\text{V}$		89.1%	
		$V_O = 1.5\text{V}$		87.7%	
		$V_O = 1.2\text{V}$		85.6%	
				84.0%	
$V_{\text{OPP}}$ $V_O$ Ripple (peak-to-peak)	20-MHz bandwidth		11		mV <sub>PP</sub>
$I_B$ Bias current	PWM & SRE to AGND   Standby		6		mA
$V_{\text{IH}}$ High-level input voltage	SRE & PWM input levels	2.0		5.5	V
$V_{\text{IL}}$ Low-level input voltage				0.8	
PWM input	Frequency range	500 <sup>(1)</sup>		1000	kHz
	Pulse width limits	20			ns
TEMP output	Range	-40		125	$^\circ\text{C}$
	Accuracy, $-40^\circ\text{C} \leq T_A \leq 85^\circ\text{C}$	-5		5	$^\circ\text{C}$
	Slope		10		mV/ $^\circ\text{C}$
	Offset, $T_A = 25^\circ\text{C}$		720		mV
$V_{\text{OH}}$	High-level output voltage, $I_{\text{FAULT}} = 4\text{mA}$	2.7	3.3		V
$V_{\text{OL}}$	Low-level output voltage, $I_{\text{FAULT}} = 4\text{mA}$		0	0.6	
$I_{\text{LIM}}$	Overcurrent threshold; Reset, followed by auto-recovery		15 <sup>(2)</sup>		A
IOUT output	Range	0.15		3.5	V
	Gain, $3\text{A} \leq I_O \leq 10\text{A}$	188	200	212	mV/A
	Offset, $I_O = 0\text{A}$ , $V_O = 1.2\text{V}$	0	0.3	0.76	V
	Output Impedance		10		k $\Omega$
$C_I$ External input capacitance	Nonceramic		330 <sup>(3)</sup>		$\mu\text{F}$
	Ceramic	22 <sup>(3)</sup>			
$C_O$ External output capacitance	Capacitance Value	Nonceramic	330 <sup>(4)</sup>	5000 <sup>(5)</sup>	$\mu\text{F}$
		Ceramic	47 <sup>(4)</sup>		
	Equivalent series resistance (non-ceramic)		1 <sup>(6)</sup>		

- (1) When operating at 12V input and 500kHz,  $V_O$  is limited to  $\leq 2.0\text{V}$ .
- (2) The current limit threshold is the sum of  $I_O$  and the peak inductor ripple current.
- (3) A 22  $\mu\text{F}$  ceramic input capacitor is required for proper operation. An additional 330  $\mu\text{F}$  bulk capacitor rated for a minimum of 500mA rms of ripple current is recommended. When operating at frequencies > 500kHz the 22  $\mu\text{F}$  ceramic capacitor is only recommended. Refer to the UCD9240 controller datasheet and user interface for application specific capacitor specifications.
- (4) A 47  $\mu\text{F}$  ceramic output capacitor is required for basic operation. An additional 330  $\mu\text{F}$  bulk capacitor is recommended for improved transient response. Refer to the UCD9240 controller datasheet and user interface for application specific capacitor specifications.
- (5) 5,000  $\mu\text{F}$  is the calculated maximum output capacitance given a 1V/msec output voltage rise time. Additional capacitance or increasing the output voltage rise rate may trigger the overcurrent threshold at start-up. Refer to the UCD9240 controller datasheet and user interface for application specific capacitor specifications.
- (6) This is the minimum ESR for all non-ceramic output capacitance. Refer to the UCD9240 controller datasheet and user interface for application specific capacitor specifications.

TERMINAL FUNCTIONS

TERMINAL		DESCRIPTION
NAME	NO.	
V <sub>I</sub>	1, 2	The positive input voltage power node to the module, which is referenced to common GND.
PGND	3, 8, 9, 19, 20	The common ground connection for the V <sub>I</sub> and V <sub>O</sub> power connections.
V <sub>OA</sub>	21, 22	The regulated positive power A output with respect to GND.
V <sub>OB</sub>	10, 11	The regulated positive power B output with respect to GND.
I <sub>SENSE-A</sub>	14	Current sense A output. The voltage level on this pin represents the average output current of the module.
I <sub>SENSE-B</sub>	6	Current sense B output. The voltage level on this pin represents the average output current of the module.
PWM-A	18	This is the PWM A input pin. It is a high impedance digital input that accepts 3.3-V or 5-V logic level signals up to 1 MHz.
PWM-B	4	This is the PWM B input pin. It is a high impedance digital input that accepts 3.3-V or 5-V logic level signals up to 1 MHz.
FF-A	15	Current limit fault flag A. The Fault signal is a 3.3-V digital output which is latched high after an over-current condition. The Fault is reset after a complete PWM cycle without an over-current condition (falling edge of the PWM).
FF-B	7	Current limit fault flag A. The Fault signal is a 3.3-V digital output which is latched high after an over-current condition. The Fault is reset after a complete PWM cycle without an over-current condition (falling edge of the PWM).
SRE-A	17	Synchronous Rectifier Enable A. This pin is a high impedance digital input. A 3.3 V or 5 V logic level signals is used to enable the synchronous rectifier switch. When this signal is high, the module will source and sink output current. When this signal is low, the module will only source current.
SRE-B	5	Synchronous Rectifier Enable B. This pin is a high impedance digital input. A 3.3 V or 5 V logic level signals is used to enable the synchronous rectifier switch. When this signal is high, the module will source and sink output current. When this signal is low, the module will only source current.
AGND	12, 13	Analog ground return. It is the 0 V <sub>dc</sub> reference for the control inputs.
T <sub>SENSE</sub>	16	Temperature sense output. The voltage level on this pin represents the temperature of the module.
Thermal Pad		This pad is electrically connected to PGND and is the primary thermal conduction cooling path for the module. This pad should be soldered to a grounded copper pad on the host board. For optimum cooling performance, the grounded copper pad should also be tied with multiple vias to the host board internal ground plane. See the Land Pattern drawing for package EFS for recommended pad dimensions.



TYPICAL CHARACTERISTICS ( $V_I = 12\text{ V}$ )  
(1)(2)

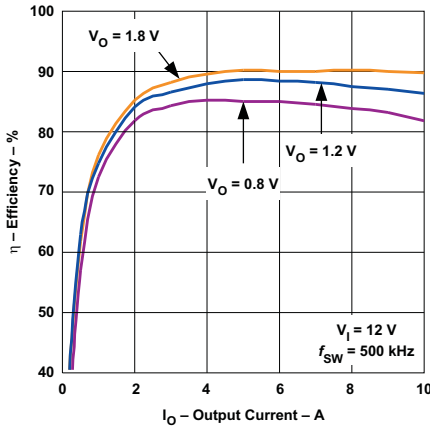


Figure 1. Efficiency

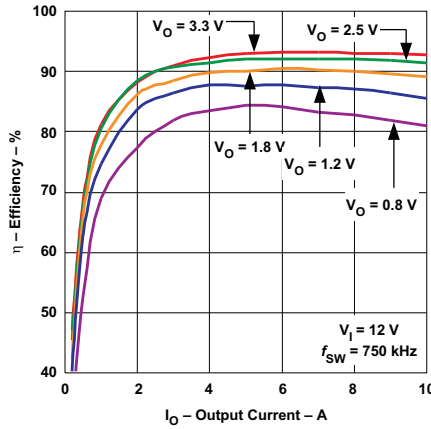


Figure 2. Efficiency

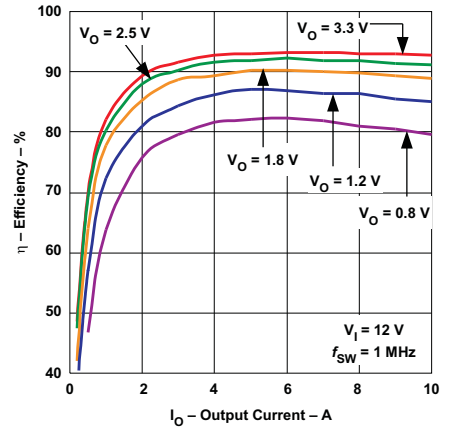


Figure 3. Efficiency

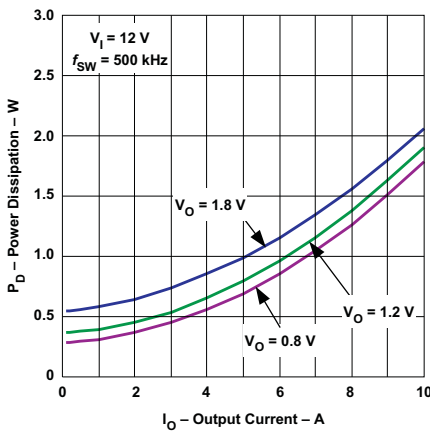


Figure 4. Power Dissipation

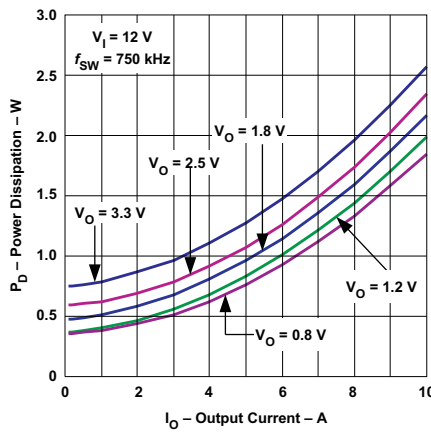


Figure 5. Power Dissipation

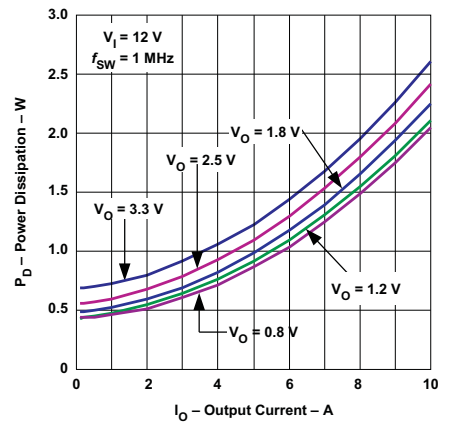


Figure 6. Power Dissipation

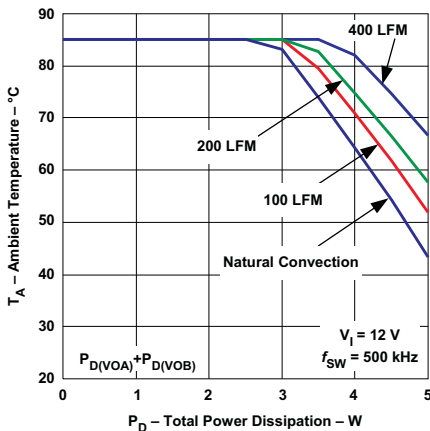


Figure 7. Safe Operating Area

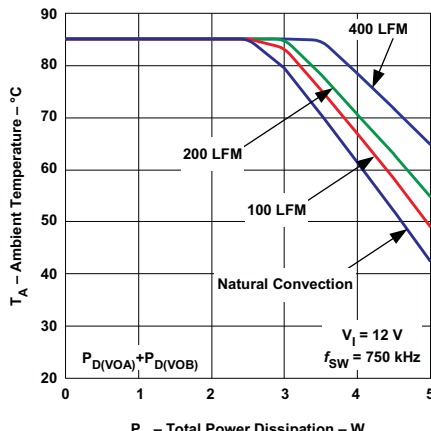


Figure 8. Safe Operating Area

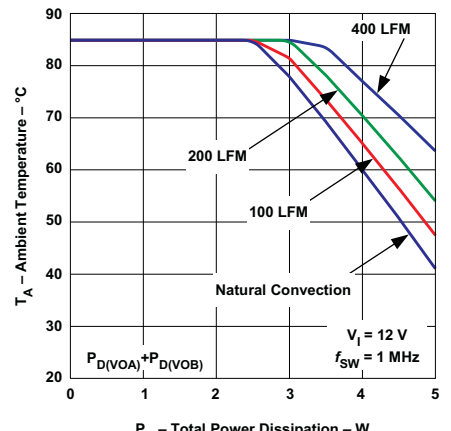


Figure 9. Safe Operating Area

- (1) The electrical characteristic data (Figure 1 through Figure 6) has been developed from actual products tested at 25°C. This data is considered typical for the converter.
- (2) The temperature derating curves (Figure 7 through Figure 9) represent the conditions at which internal components are at or below the manufacturer's maximum operating temperatures. Derating limits apply to modules soldered directly to a 100-mm x 100-mm, double-sided PCB with 2-oz. copper. See the Safe Operating Area application section of this datasheet.

TYPICAL CHARACTERISTICS ( $V_I = 5\text{ V}$ )  
(1)(2)

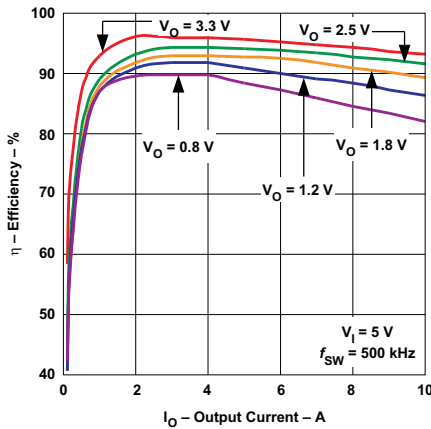


Figure 10. Efficiency

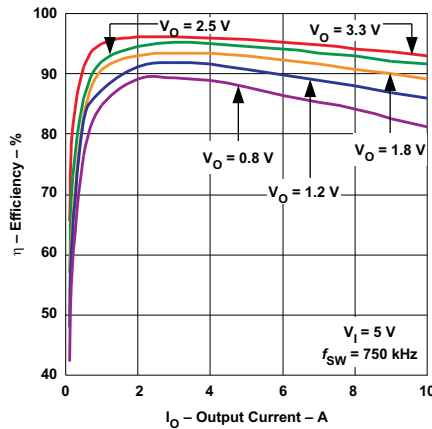


Figure 11. Efficiency

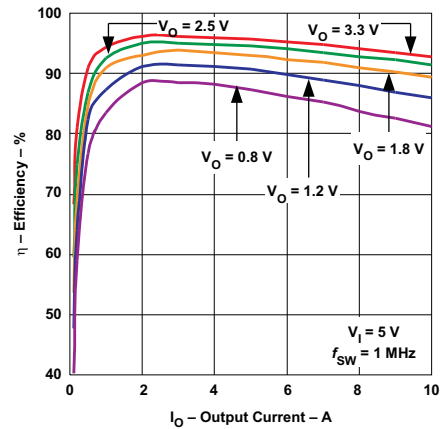


Figure 12. Efficiency

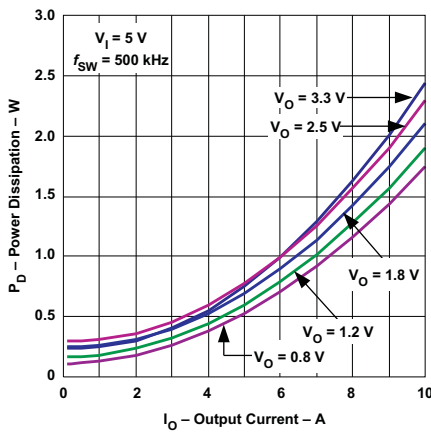


Figure 13. Power Dissipation

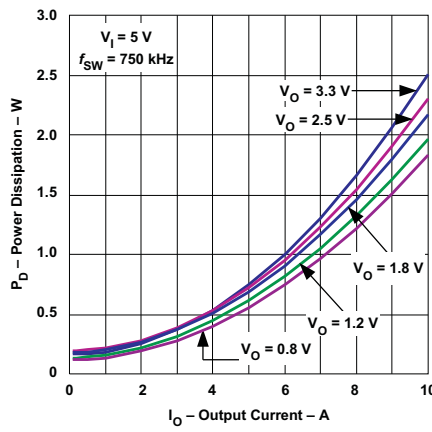


Figure 14. Power Dissipation

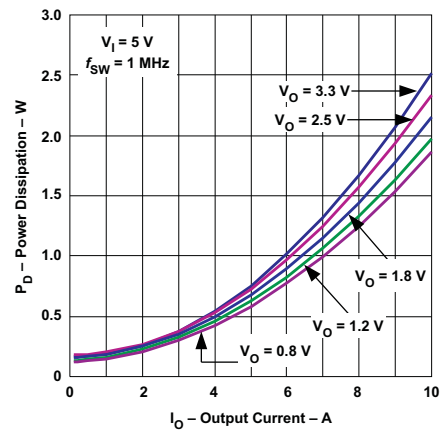


Figure 15. Power Dissipation

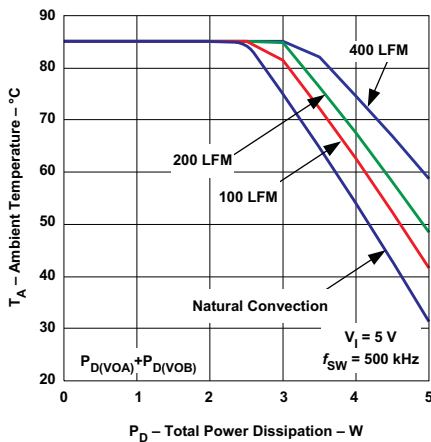


Figure 16. Safe Operating Area

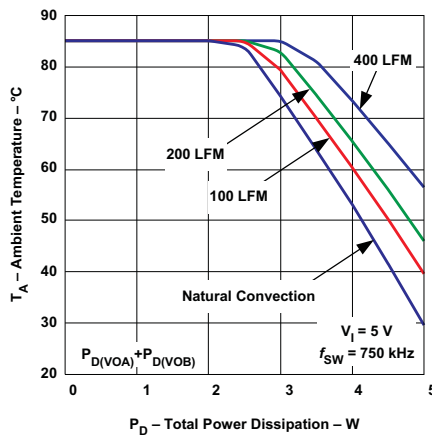


Figure 17. Safe Operating Area

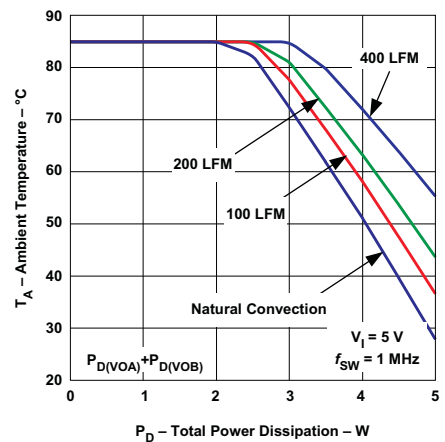


Figure 18. Safe Operating Area

- (1) The electrical characteristic data (Figure 10 through Figure 15) has been developed from actual products tested at 25°C. This data is considered typical for the converter.
- (2) The temperature derating curves (Figure 16 through Figure 18) represent the conditions at which internal components are at or below the manufacturer's maximum operating temperatures. Derating limits apply to modules soldered directly to a 100-mm x 100-mm, double-sided PCB with 2-oz. copper. See the Safe Operating Area application section of this datasheet.

**TYPICAL CHARACTERISTICS**

**CURRENT SENSE OUTPUT  
VS  
OUTPUT CURRENT**

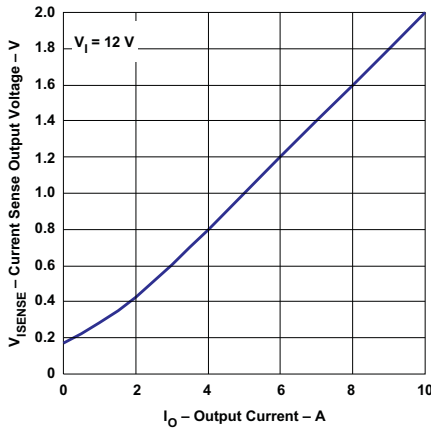


Figure 19.

**CURRENT SENSE OUTPUT  
VS  
OUTPUT CURRENT**

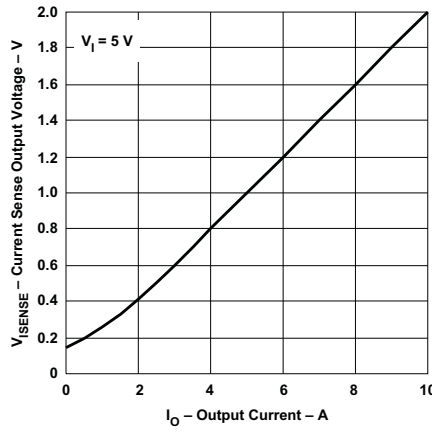


Figure 20.

**TEMPERATURE SENSE  
VS  
JUNCTION TEMPERATURE**

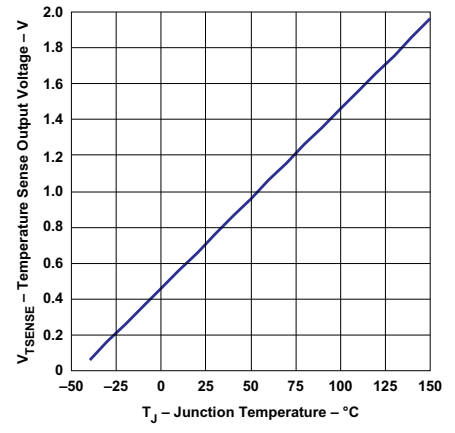
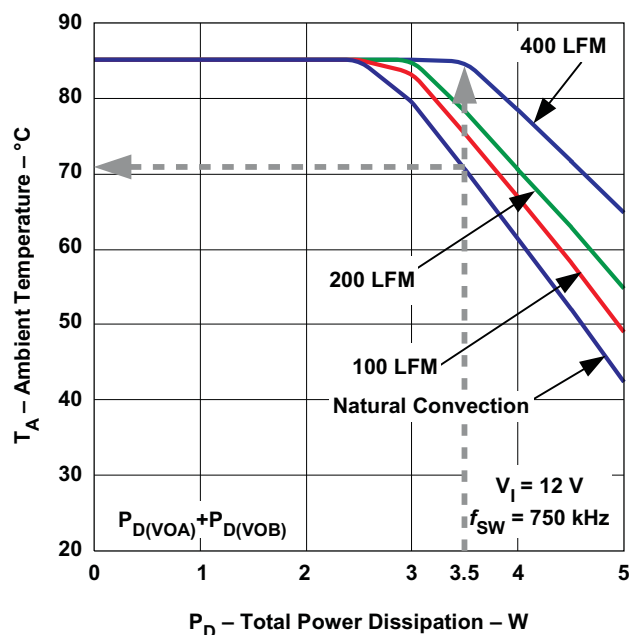
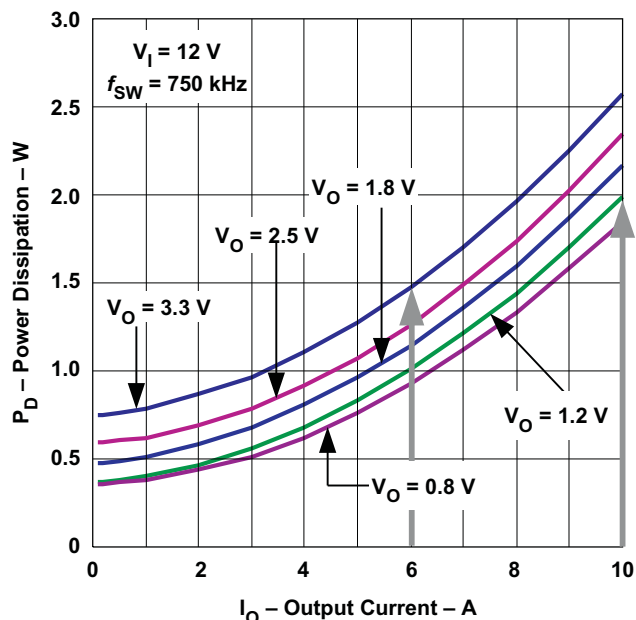


Figure 21.



### APPLICATION INFORMATION

#### Determining the Safe Operating Area



The Safe Operating Area (SOA) curves for the PTD08D210W are determined by the total power dissipation of the module, the maximum ambient temperature, and the minimum available airflow of the application. Operation below the application airflow curve is considered a thermally safe design. For a given SOA, refer to the Power Dissipation curves for the same input voltage and switching frequency to determine each output's power dissipation. Add the power dissipation of  $V_{OA}$  and  $V_{OB}$  to get the total power dissipation. The total power dissipation can then be used to determine the safe operating area for the application.

For example, consider an application operating from a 12-V input and a 750-kHz switching frequency, requiring 1.2 V @ 10 A and 3.3 V @ 6 A outputs. In order to determine the safe operating area the power dissipation for each of the outputs must first be determined. Using the  $V_I = 12\text{ V}$ ,  $f_{SW} = 750\text{ kHz}$  Power Dissipation graph, the power dissipation for the 1.2 V @ 10 A output is 2 W and the power dissipation for the 3.3 V @ 6 A output is 1.5 W. Adding the power dissipation for both outputs results in a total power dissipation of 3.5 W. The safe operating area can then be determined using the  $V_I = 12\text{ V}$ ,  $f_{SW} = 750\text{ kHz}$  SOA graph, the amount of airflow of the application and the 3.5-W total power dissipation. At 3.5 W and 400 LFM, the application can operate up to 85°C, but when no airflow is available the maximum ambient temperature is limited to less than 71°C.

#### NOTE

- Graphs above have been replicated from the *Typical Characteristics* section for this example
- The maximum output current for either output must not exceed 10 A.

Digital Power

Figure 22 shows the UCD9220 power supply controller working with a single PTD08D210W, dual-output module regulating two independent power supplies. The loop for each power supply is created by the respective voltage outputs feeding into the Error ADC differential inputs, and completed by DPWM outputs feeding the PTD08D210W module.

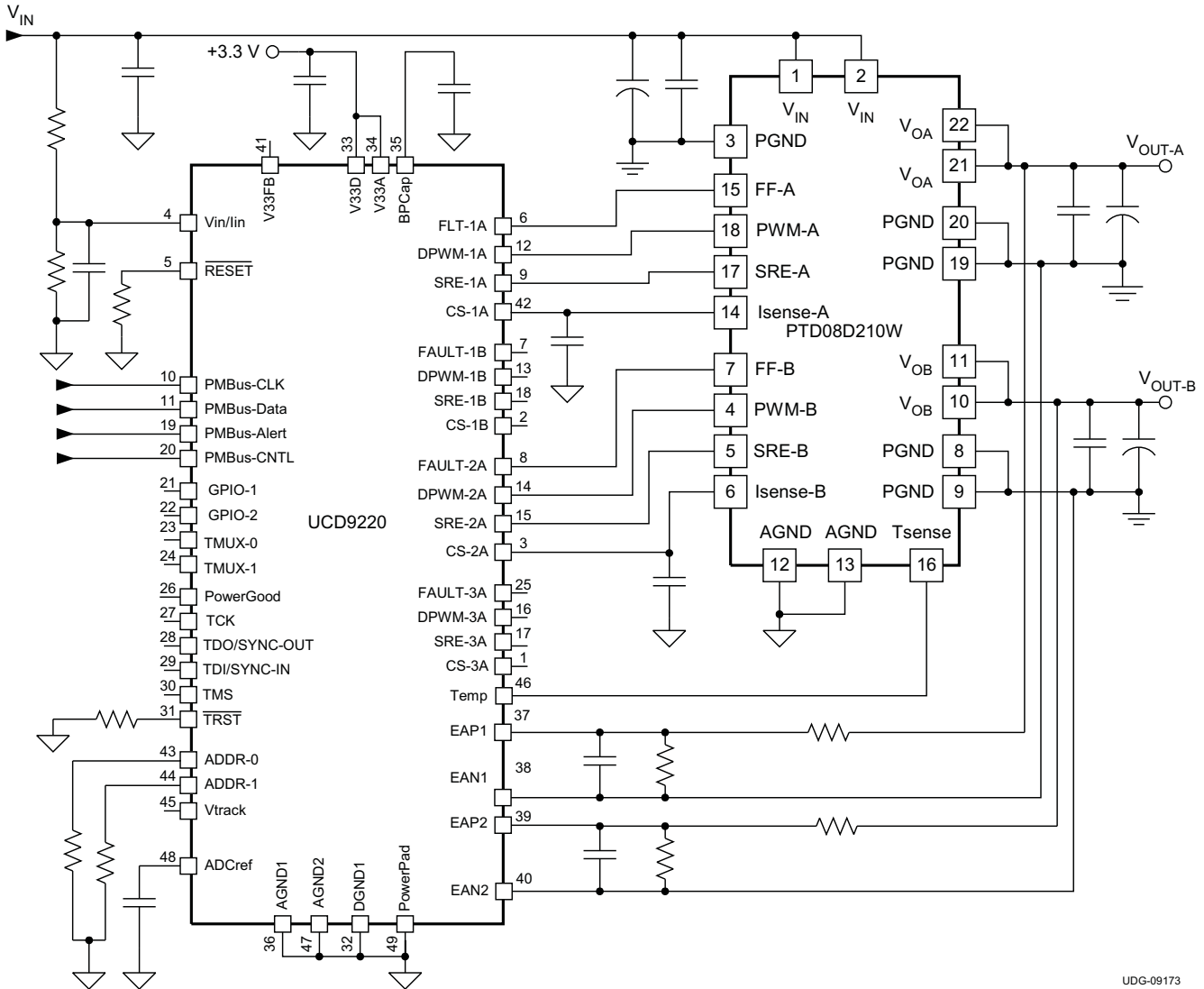
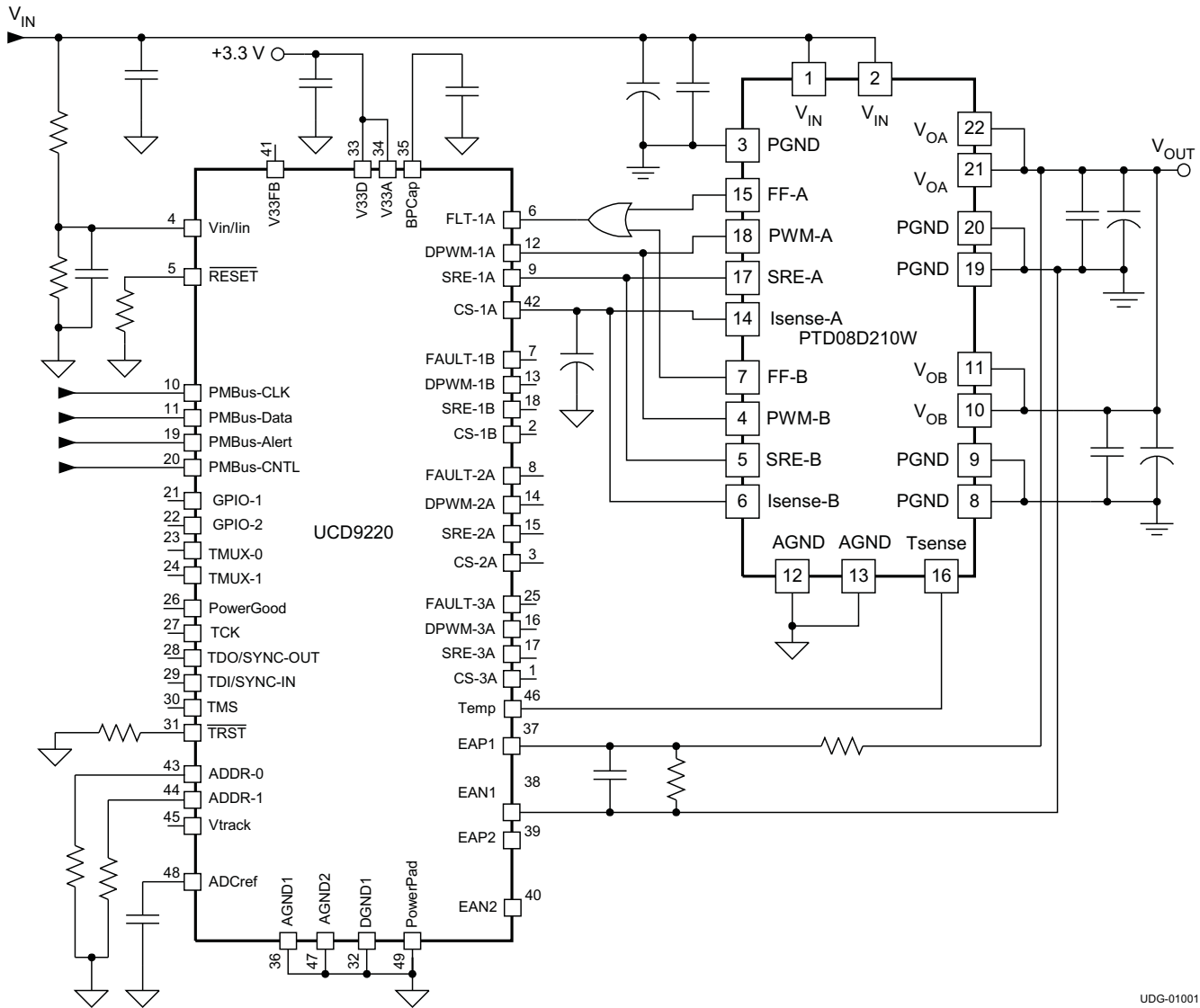


Figure 22. Typical Dual-Output Application Schematic

Note: A low dropout linear regulator such as the TI TPS715A33 can provide the 3.3-V bias power to the UCD9220.

Figure 23 shows the UCD9220 power supply controller working with a single PTD08D210W power module. The dual outputs of the PTD08D210W have been paralleled, allowing up to 20A of output current. When operating the PTD08D210W in parallel configuration the dual inputs must be tied together and driven from a single output of the digital power controller. **Multiple PTD08D210W modules must not be paralleled.**



**Figure 23. Typical Paralleled-Output Application Schematic**

Note 1: A low dropout linear regulator such as the TI [TPS715A33](#) can provide the 3.3-V bias power to the UCD9220.

Note 2: An OR-gate such as the TI [74LVC1G32](#) should be used to sense a fault signal on either FF-A or FF-B.

## UCD9240 Graphical User Interface (GUI)

When using the UCD92x0 digital controller along with digital PowerTrain modules to design a digital power system, several internal parameters of the modules are required to run the Fusion Digital Power Designer GUI. See the plant parameters below for the PTD08D210W digital PowerTrain modules.

**Table 1. PTD08D210W Plant Parameters**

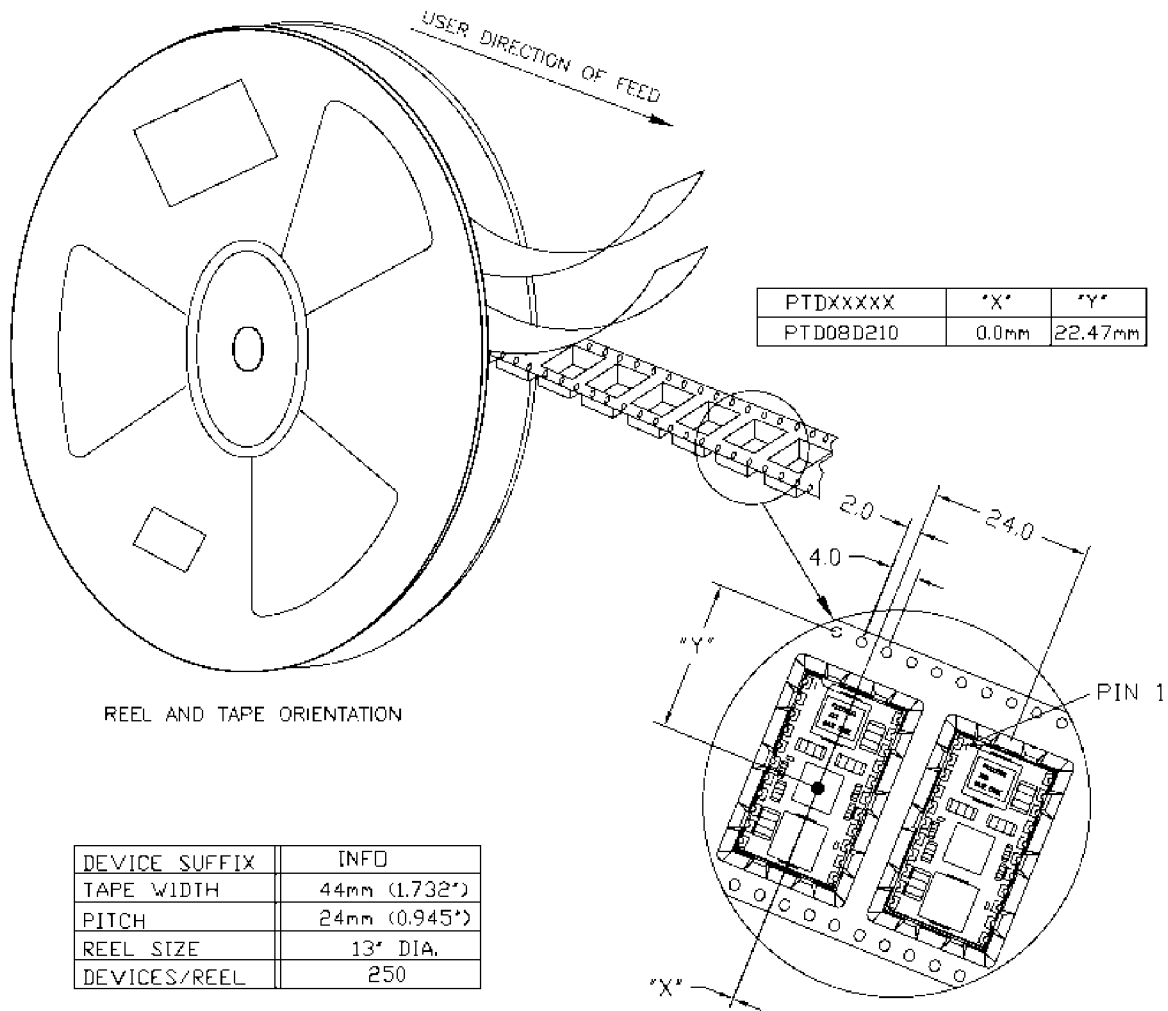
PTD08D210W Plant Parameters			
L ( $\mu\text{H}$ )	DCR ( $\text{m}\Omega$ )	$R_{\text{DS(on)-high}}$ ( $\text{m}\Omega$ )	$R_{\text{DS(on)-low}}$ ( $\text{m}\Omega$ )
0.47	2.6	15.5	6.5

Internal output capacitance is present on the digital PowerTrain modules themselves. When using the GUI interface this capacitance information must be included along with any additional external capacitance. See the capacitor parameters below for the PTD08D210W digital PowerTrain modules.

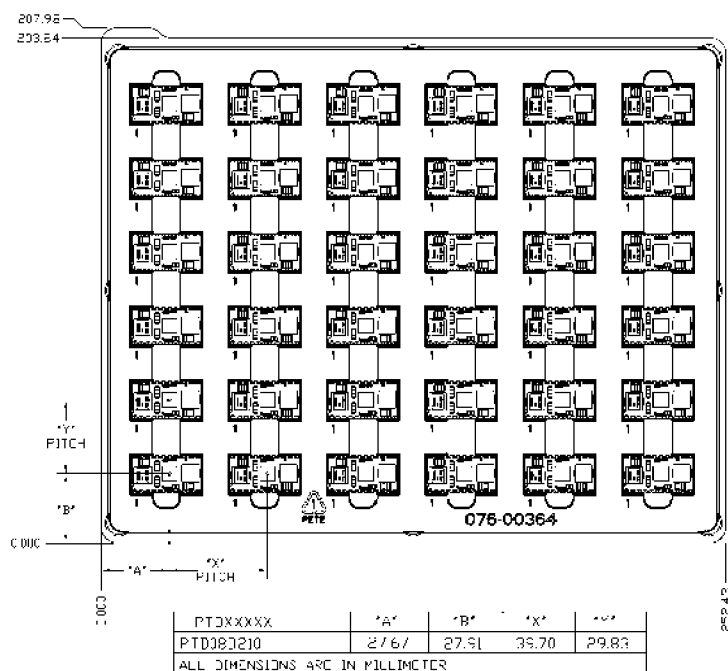
**Table 2. PTD08D210W Capacitor Parameters**

PTD08D210W Capacitor Parameters			
C ( $\mu\text{F}$ )	ESR ( $\text{m}\Omega$ )	ESL ( $\text{nH}$ )	Quantity
47	1.5	2.5	1

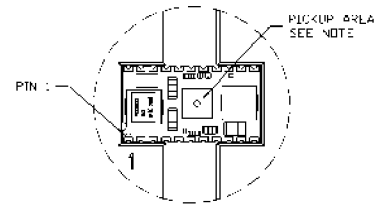
**TAPE & REEL**



**TRAY**



DEVICES/TRAY 36



NOTE: THE INTEGRATED CIRCUIT IS USED TO TEST AND PLACE THE MODULE. IT'S LOCATION MAY VARY FROM PACKAGE STYLE. SEE PRODUCT TABLE

---

**REVISION HISTORY**

<b>Changes from Revision A (FEBRUARY 2010) to Revision B</b>	<b>Page</b>
• Added Caution regarding paralleling multiple modules. ....	<a href="#">11</a>

---

**PACKAGING INFORMATION**

Orderable Device	Status <sup>(1)</sup>	Package Type	Package Drawing	Pins	Package Qty	Eco Plan <sup>(2)</sup>	Lead/ Ball Finish	MSL Peak Temp <sup>(3)</sup>	Samples (Requires Login)
PTD08D210WAC	ACTIVE	DIP MODULE	EFS	22	36	Pb-Free (RoHS)	Call TI	Level-3-260C-168 HR	<a href="#">Request Free Samples</a>
PTD08D210WACT	ACTIVE	DIP MODULE	EFS	22	250	Pb-Free (RoHS)	Call TI	Level-3-260C-168 HR	<a href="#">Purchase Samples</a>

<sup>(1)</sup> The marketing status values are defined as follows:

**ACTIVE:** Product device recommended for new designs.

**LIFEBUY:** TI has announced that the device will be discontinued, and a lifetime-buy period is in effect.

**NRND:** Not recommended for new designs. Device is in production to support existing customers, but TI does not recommend using this part in a new design.

**PREVIEW:** Device has been announced but is not in production. Samples may or may not be available.

**OBSELETE:** TI has discontinued the production of the device.

<sup>(2)</sup> Eco Plan - The planned eco-friendly classification: Pb-Free (RoHS), Pb-Free (RoHS Exempt), or Green (RoHS & no Sb/Br) - please check <http://www.ti.com/productcontent> for the latest availability information and additional product content details.

**TBD:** The Pb-Free/Green conversion plan has not been defined.

**Pb-Free (RoHS):** TI's terms "Lead-Free" or "Pb-Free" mean semiconductor products that are compatible with the current RoHS requirements for all 6 substances, including the requirement that lead not exceed 0.1% by weight in homogeneous materials. Where designed to be soldered at high temperatures, TI Pb-Free products are suitable for use in specified lead-free processes.

**Pb-Free (RoHS Exempt):** This component has a RoHS exemption for either 1) lead-based flip-chip solder bumps used between the die and package, or 2) lead-based die adhesive used between the die and leadframe. The component is otherwise considered Pb-Free (RoHS compatible) as defined above.

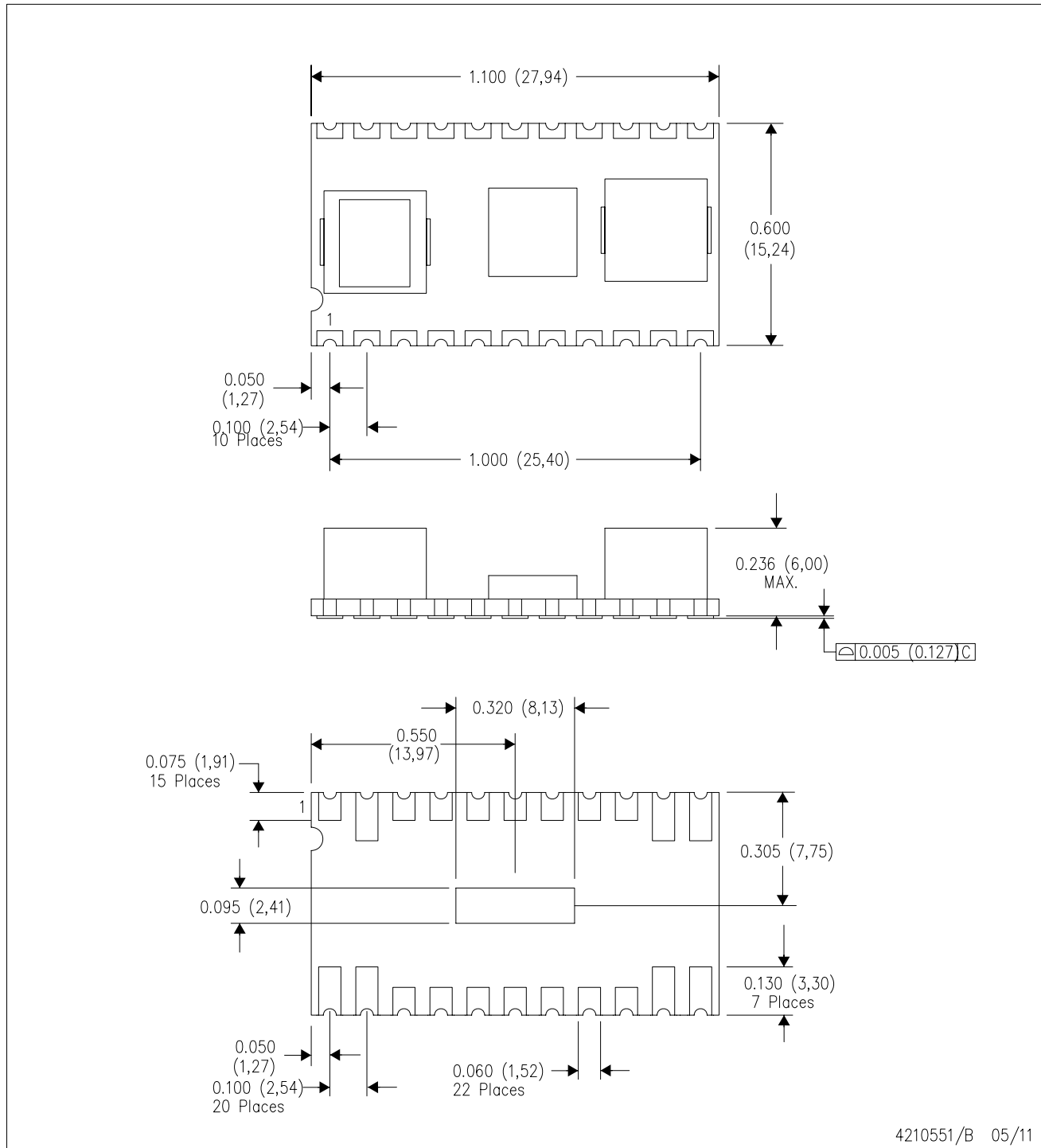
**Green (RoHS & no Sb/Br):** TI defines "Green" to mean Pb-Free (RoHS compatible), and free of Bromine (Br) and Antimony (Sb) based flame retardants (Br or Sb do not exceed 0.1% by weight in homogeneous material)

<sup>(3)</sup> MSL, Peak Temp. -- The Moisture Sensitivity Level rating according to the JEDEC industry standard classifications, and peak solder temperature.

**Important Information and Disclaimer:** The information provided on this page represents TI's knowledge and belief as of the date that it is provided. TI bases its knowledge and belief on information provided by third parties, and makes no representation or warranty as to the accuracy of such information. Efforts are underway to better integrate information from third parties. TI has taken and continues to take reasonable steps to provide representative and accurate information but may not have conducted destructive testing or chemical analysis on incoming materials and chemicals. TI and TI suppliers consider certain information to be proprietary, and thus CAS numbers and other limited information may not be available for release.

In no event shall TI's liability arising out of such information exceed the total purchase price of the TI part(s) at issue in this document sold by TI to Customer on an annual basis.



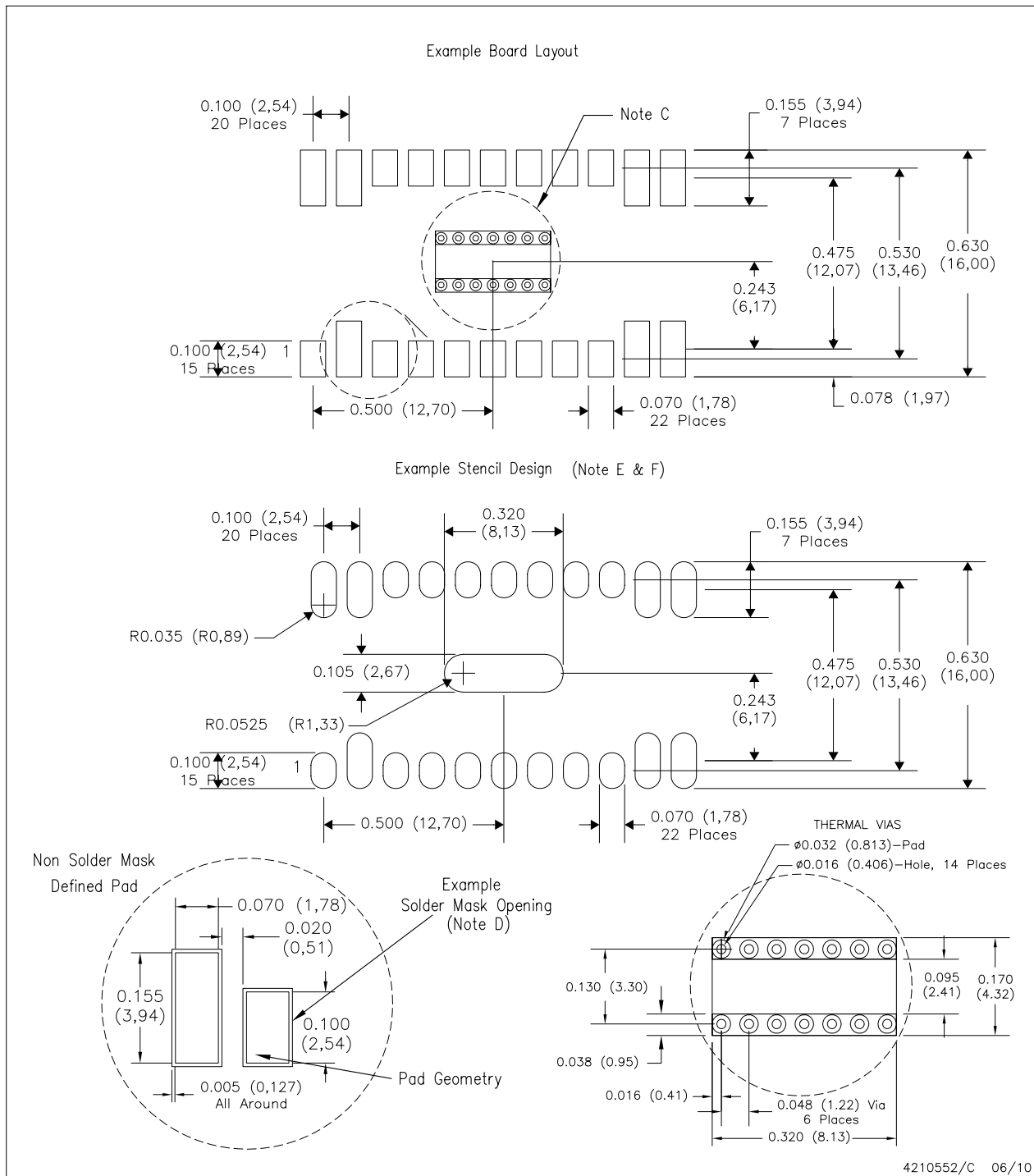


4210551/B 05/11

- NOTES:
- A. All linear dimensions are in inches (mm).
  - B. This drawing is subject to change without notice.
  - C. 2 place decimals are  $\pm 0.030$  ( $\pm 0,76$ mm).
  - D. 3 place decimals are  $\pm 0.010$  ( $\pm 0,25$ mm).

EFS (R-PDSS-T22)

SINGLE SIDED MODULE



4210552/C 06/10

- NOTES:
- A. All linear dimensions are in inches & millimeters.
  - B. This drawing is subject to change without notice.
  - C. This package is designed to be soldered to a thermal pad on the board. This pad must be at ground potential and be connected to an internal ground plane with multiple thermal vias.
  - D. Customers should contact their board fabrication site for minimum solder mask web tolerances between signal pads.
  - E. Laser cutting apertures with trapezoidal walls and also rounding corners will offer better paste release. Customers should contact their board assembly site for stencil design recommendations. Refer to IPC 7525 for stencil design considerations.
  - F. Paste screen thickness: 0.006 (0,15).
  - G. 3 place decimals are  $\pm 0.010$  ( $\pm 0.25$ )

## IMPORTANT NOTICE

Texas Instruments Incorporated and its subsidiaries (TI) reserve the right to make corrections, modifications, enhancements, improvements, and other changes to its products and services at any time and to discontinue any product or service without notice. Customers should obtain the latest relevant information before placing orders and should verify that such information is current and complete. All products are sold subject to TI's terms and conditions of sale supplied at the time of order acknowledgment.

TI warrants performance of its hardware products to the specifications applicable at the time of sale in accordance with TI's standard warranty. Testing and other quality control techniques are used to the extent TI deems necessary to support this warranty. Except where mandated by government requirements, testing of all parameters of each product is not necessarily performed.

TI assumes no liability for applications assistance or customer product design. Customers are responsible for their products and applications using TI components. To minimize the risks associated with customer products and applications, customers should provide adequate design and operating safeguards.

TI does not warrant or represent that any license, either express or implied, is granted under any TI patent right, copyright, mask work right, or other TI intellectual property right relating to any combination, machine, or process in which TI products or services are used. Information published by TI regarding third-party products or services does not constitute a license from TI to use such products or services or a warranty or endorsement thereof. Use of such information may require a license from a third party under the patents or other intellectual property of the third party, or a license from TI under the patents or other intellectual property of TI.

Reproduction of TI information in TI data books or data sheets is permissible only if reproduction is without alteration and is accompanied by all associated warranties, conditions, limitations, and notices. Reproduction of this information with alteration is an unfair and deceptive business practice. TI is not responsible or liable for such altered documentation. Information of third parties may be subject to additional restrictions.

Resale of TI products or services with statements different from or beyond the parameters stated by TI for that product or service voids all express and any implied warranties for the associated TI product or service and is an unfair and deceptive business practice. TI is not responsible or liable for any such statements.

TI products are not authorized for use in safety-critical applications (such as life support) where a failure of the TI product would reasonably be expected to cause severe personal injury or death, unless officers of the parties have executed an agreement specifically governing such use. Buyers represent that they have all necessary expertise in the safety and regulatory ramifications of their applications, and acknowledge and agree that they are solely responsible for all legal, regulatory and safety-related requirements concerning their products and any use of TI products in such safety-critical applications, notwithstanding any applications-related information or support that may be provided by TI. Further, Buyers must fully indemnify TI and its representatives against any damages arising out of the use of TI products in such safety-critical applications.

TI products are neither designed nor intended for use in military/aerospace applications or environments unless the TI products are specifically designated by TI as military-grade or "enhanced plastic." Only products designated by TI as military-grade meet military specifications. Buyers acknowledge and agree that any such use of TI products which TI has not designated as military-grade is solely at the Buyer's risk, and that they are solely responsible for compliance with all legal and regulatory requirements in connection with such use.

TI products are neither designed nor intended for use in automotive applications or environments unless the specific TI products are designated by TI as compliant with ISO/TS 16949 requirements. Buyers acknowledge and agree that, if they use any non-designated products in automotive applications, TI will not be responsible for any failure to meet such requirements.

Following are URLs where you can obtain information on other Texas Instruments products and application solutions:

### Products

Audio	<a href="http://www.ti.com/audio">www.ti.com/audio</a>
Amplifiers	<a href="http://amplifier.ti.com">amplifier.ti.com</a>
Data Converters	<a href="http://dataconverter.ti.com">dataconverter.ti.com</a>
DLP® Products	<a href="http://www.dlp.com">www.dlp.com</a>
DSP	<a href="http://dsp.ti.com">dsp.ti.com</a>
Clocks and Timers	<a href="http://www.ti.com/clocks">www.ti.com/clocks</a>
Interface	<a href="http://interface.ti.com">interface.ti.com</a>
Logic	<a href="http://logic.ti.com">logic.ti.com</a>
Power Mgmt	<a href="http://power.ti.com">power.ti.com</a>
Microcontrollers	<a href="http://microcontroller.ti.com">microcontroller.ti.com</a>
RFID	<a href="http://www.ti-rfid.com">www.ti-rfid.com</a>
RF/IF and ZigBee® Solutions	<a href="http://www.ti.com/lprf">www.ti.com/lprf</a>

### Applications

Communications and Telecom	<a href="http://www.ti.com/communications">www.ti.com/communications</a>
Computers and Peripherals	<a href="http://www.ti.com/computers">www.ti.com/computers</a>
Consumer Electronics	<a href="http://www.ti.com/consumer-apps">www.ti.com/consumer-apps</a>
Energy and Lighting	<a href="http://www.ti.com/energy">www.ti.com/energy</a>
Industrial	<a href="http://www.ti.com/industrial">www.ti.com/industrial</a>
Medical	<a href="http://www.ti.com/medical">www.ti.com/medical</a>
Security	<a href="http://www.ti.com/security">www.ti.com/security</a>
Space, Avionics and Defense	<a href="http://www.ti.com/space-avionics-defense">www.ti.com/space-avionics-defense</a>
Transportation and Automotive	<a href="http://www.ti.com/automotive">www.ti.com/automotive</a>
Video and Imaging	<a href="http://www.ti.com/video">www.ti.com/video</a>
Wireless	<a href="http://www.ti.com/wireless-apps">www.ti.com/wireless-apps</a>

TI E2E Community Home Page

[e2e.ti.com](http://e2e.ti.com)

Mailing Address: Texas Instruments, Post Office Box 655303, Dallas, Texas 75265  
Copyright © 2011, Texas Instruments Incorporated