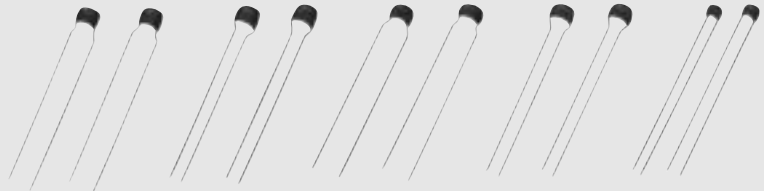
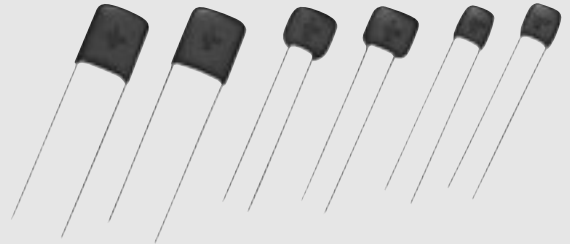


Monolithic Ceramic Capacitors

MONOLITHIC CERAMIC CAPACITORS



*Innovator
in Electronics*

Murata
Manufacturing Co., Ltd.

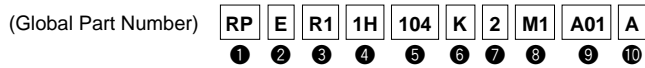
Cat.No.C49E-14

CONTENTS

Part Numbering	2
Monolithic Ceramic Capacitors Lead Type	4
Marking	5
Temperature Compensating Type 50V	6
Temperature Compensating Type 100V	7
Temperature Compensating Type 200V	8
High Dielectric Constant Type 25V Y5V Characteristics	9
High Dielectric Constant Type 25V Z5U Characteristics	10
High Dielectric Constant Type 50V X7R Characteristics	10
High Dielectric Constant Type 50V Y5V Characteristics	11
High Dielectric Constant Type 50V Z5U Characteristics	11
High Dielectric Constant Type 100V X7R Characteristics	12
High Dielectric Constant Type 100V Y5V Characteristics	12
High Dielectric Constant Type 100V Z5U Characteristics	13
High Dielectric Constant Type 200V X7R Characteristics	13
High Dielectric Constant Type 200V Z5U Characteristics	14
Specifications and Test Methods	15
Packaging	19
Notice	21

● **Part Numbering** (The structure of the "Global Part Numbers" that have been adopted since June 2001 and the meaning of each code are described herein.)
If you have any questions about details, inquire at your usual Murata sales office or distributor.

Monolithic Ceramic Capacitors (lead type)



① Product ID

② Series/Terminal

Product ID	Series/Terminal	
RP	E	Monolithic Ceramic Capacitors Lead Type

③ Temperature Characteristics

Code	Temperature Characteristics	Temperature Range	Capacitance Change or Temperature Coefficient	Operating Temperature Range
5C	C0G	-55 to 125°C	0±30ppm/°C	-55 to 125°C
6R	R2H	-55 to 85°C	-220±60ppm/°C	-55 to 125°C
7U	U2J	-55 to 85°C	-750±120ppm/°C	-55 to 125°C
E4	Z5U	10 to 85°C	+22, -56%	10 to 85°C
F5	Y5V	-30 to 85°C	+22, -82%	-30 to 85°C
R7	X7R	-55 to 125°C	±15%	-55 to 125°C

④ Rated Voltage

Code	Rated Voltage
1E	DC25V
1H	DC50V
2A	DC100V
2D	DC200V

⑤ Lead Type

Code	Lead Type	Lead Space
A*	Straight Long Bulk	F=2.5mm
B*	Straight Long Bulk	F=5.0mm
C*	Straight Long Bulk	other than above
E*	Straight Taping	F=5.0mm
K*	Incrimp Bulk	F=5.0mm
M*	Incrimp Taping	F=5.0mm
P*	Outcrimp Bulk	F=2.5mm
S*	Outcrimp Taping	F=2.5mm

⑥ Capacitance

Expressed by three figures. The unit is pico-farad(pF). The first and second figures are significant digits, and the third figure expresses the number of zeros which follow the two numbers. If there is a decimal point, it is expressed by the capital letter "R". In this case, all figures are significant digits.

Lead style depends on individual standards. * indicates a figure.

Continued on the following page.

⑦ Capacitance Tolerance

Code	Capacitance Tolerance	Temperature Characteristics	Capacitance Step
C	±0.25pF	C0G,R2H, U2J	≤5pF : 1pF Step
D	±0.5pF		6 to 9pF : 1pF Step
J	±5%		≥10 : E12 Series
K	±10%	X7R	E6 Series
M	±20%	Z5U	E3 Series
Z	+80%, -20%	Y5V	E3 Series

⑧ Size

Code	Size
1	3.5×3.0 mm
2	5.0×3.5 mm
3	5.0×4.5 mm
4	7.5×5.0 mm
5	7.5×7.5 mm
6	10.0×10.0 mm
7	12.5×12.5 mm

☐ Continued from the preceding page.

⑨ Individual Specification Code

Individual Specification Code	Series (size)	Temperature Characteristics Type	Individual Specification	Inner Electrode
A01	RPE_2 (5.0x3.5mm)	HiK	Standard Type (small internal chip size of 2.0x1.25mm)	Base Metal
B01	RPE_2 (5.0x3.5mm)	HiK	Standard Type (small internal chip size of 2.0x1.25mm)	Precious Metal
C02	RPE_1 (3.5x3.0mm)	HiK	Standard Type (Steel lead wire)	Base Metal
C03	RPE_2 (5.0x3.5mm)	HiK	Standard Type	Base Metal
	RPE_3 (5.0x4.5mm)			
D02	RPE_1 (3.5x3.0mm)	HiK	Standard Type (Steel lead wire)	Precious Metal
D03	RPE_1 (3.5x3.0mm)	TC/HiK	Standard Type	Precious Metal
	RPE_2 (5.0x3.5mm)			
	RPE_3 (5.0x4.5mm)			
E12	RPE_4 (7.5x5.0mm)	HiK	Special Dimension Type (Special size of internal chip)	Base Metal
F03	RPE_4 (7.5x5.0mm)	TC/HiK	Standard Type (Special size of internal chip)	Precious Metal
	RPE_5 (7.5x7.5mm)			
	RPE_6 (10.0x10.0mm)			
	RPE_7 (12.5x12.5mm)			
F12	RPE_6 (10.0x10.0mm)	TC	Special Dimension Type (LxW size of 10x8.5 is available.)	Precious Metal
F14	RPE_6 (10.0x10.0mm)	HiK	Special Dimension Type (LxW size of 10x8.5 is available.)	Precious Metal
X03	RPE_4 (7.5x5.0mm)	TC	Standard Type (New Ceramic Material), (Special size of internal chip)	Precious Metal
	RPE_5 (7.5x7.5mm)			
	RPE_6 (10.0x10.0mm)			
	RPE_7 (12.5x12.5mm)			
X13	RPE_6 (10.0x10.0mm)	TC	Special Dimension Type (New Ceramic Material), (LxW size of 10x8.5 is available.)	Precious Metal
Y03	RPE_1 (3.5x3.0mm)	TC/HiK	Standard Type (New Ceramic Material)	Precious Metal
	RPE_2 (5.0x3.5mm)			
	RPE_3 (5.0x4.5mm)			

⑩ Packaging

Code	Packaging
A	Ammo Pack
B	Bulk

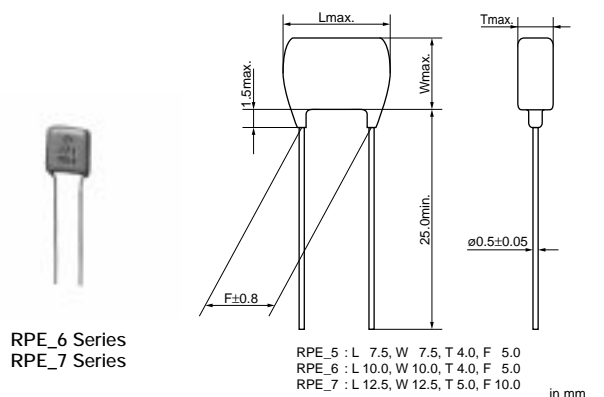
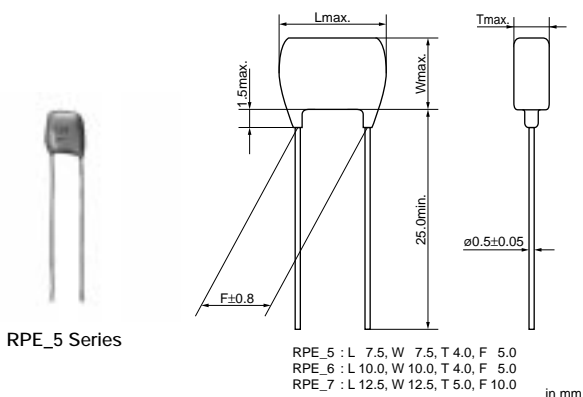
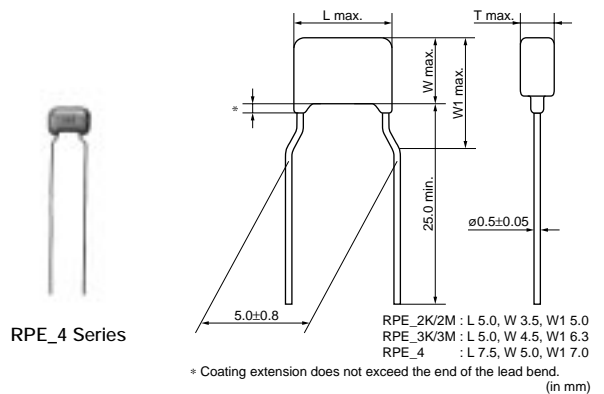
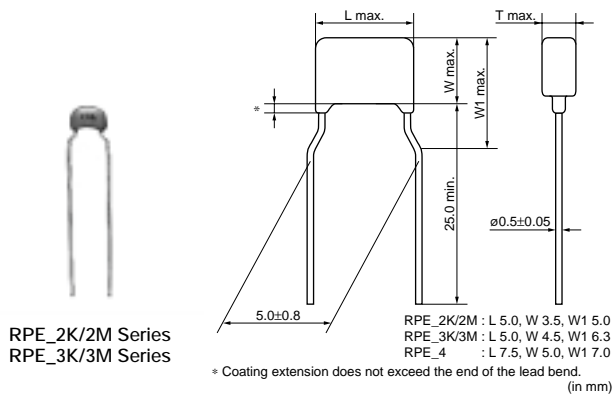
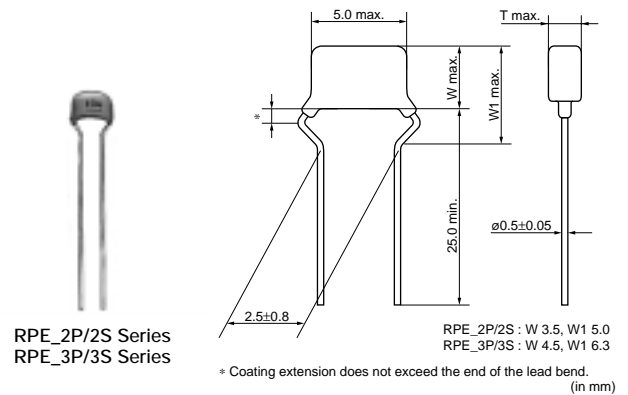
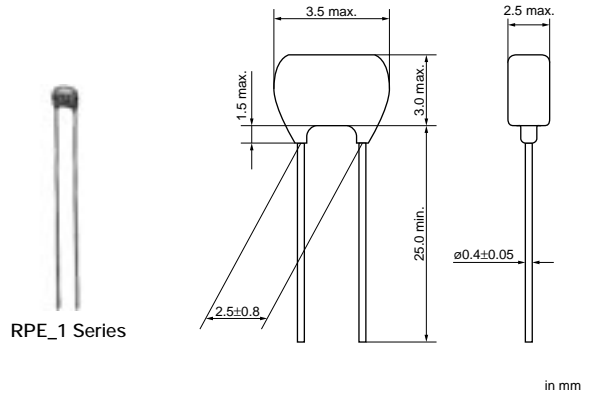
Monolithic Ceramic Capacitors



Monolithic Ceramic Capacitors Lead Type

■ Features

1. The RPE series capacitors have small dimensions, large capacitance, and a capacity volume ratio of 10 micro F/cm cube, close to that of electrolytic capacitors. These do not have polarity.
2. These have excellent frequency characteristics and due to these small internal inductance are suitable for high frequencies.
3. These are not coated with wax so there is no change in their exterior appearance due to the outflow of wax during soldering or solvent during cleansing.
4. These are highly inflammable, having characteristics equivalent to the UL-94V-0 standard.



Continued on the following page. ↗

↳ Continued from the preceding page.

■ Dimensions

Series	Dimensions (mm)					
	L	W	W1	T	F	d
RPE_1	3.5	3.0	-	2.5	2.5	0.4
RPE_2P/S	5.0	3.5	5.0	See rating table	2.5	0.5
RPE_2K/M	5.0	3.5	5.0		5.0	0.5
RPE_3P/S	5.0	4.5	6.3		2.5	0.5
RPE_3K/M	5.0	4.5	6.3		5.0	0.5
RPE_4	7.5	5.0	7.0		5.0	0.5
RPE_5	7.5	7.5	-	4.0	5.0	0.5
RPE_6	10.0	10.0	-	4.0	5.0	0.5
RPE_7	12.5	12.5	-	5.0	10.0	0.5
RPE_T	10.0	8.5	-	4.0	5.0	0.5

■ Marking

Manufacture's Identification *1	Symbol Code (except RPE_1 series)
Nominal Capacitance	Less than 100pF : Actual numbers
	100pF and over : 3 digit numbers
Capacitance Tolerance *1	Symbol marking
DC Rated Voltage *1	Symbol marking (except RPE R7/E4/F5_1 type)
	Ex. 50V : 5
	100V : 1
Temperature Characteristics *1	Symbol marking (except RPE R7/E4/F6_1 type)
	Ex. 5C : A, R7 : C
	6R : R, E4 : E
	7U : U, F6 : F

• Marking Example

Char. Type	5C	6R/7U	R7	E4	F6
RPE_1 series	* 102J 5A	* 102J 5U	682M	682Z	
RPE_2 series	M 102 J5A	—	M 123 K5C	M 333 M5E	M 104 Z5F
RPE_3 series RPE_4 series	M 103 J5A	—	M 224 K5C	M 334 M5E	M 105 Z5F
RPE_5 series RPE_6 series RPE_7 series	M 333 J5A	—	M 105 M5C	M 225 Z5E	M 335 Z5F

*Marked on both sides.

*1 Marking for RPE_2 type ;

Manufacture's identification, capacitance tolerance, rated voltage and temperature characteristics may be omitted by part No.
Please contact Murata for details.

Temperature Compensating Type 50V

Part Number	RPE_1			RPE_2	RPE_4	RPE_5	RPE_6	RPE_7
L x W(mm)	3.5x3.0			5.0x3.5	7.5x5.0	7.5x7.5	10.0x10.0	12.5x12.5
TC Code	COG (5C)	R2H (6R)	U2J (7U)	COG (5C)	COG (5C)	COG (5C)	COG (5C)	COG (5C)
Rated Volt.(Vdc)	50 (1H)	50 (1H)	50 (1H)	50 (1H)	50 (1H)	50 (1H)	50 (1H)	50 (1H)
Capacitance and T(mm)								
0.5pF	2.5							
1.0pF	2.5			2.5				
2.0pF	2.5			2.5				
3.0pF	2.5	2.5	2.5	2.5				
4.0pF	2.5	2.5	2.5	2.5				
5.0pF	2.5	2.5	2.5	2.5				
6.0pF	2.5	2.5	2.5	2.5				
7.0pF	2.5	2.5	2.5	2.5				
8.0pF	2.5	2.5	2.5	2.5				
9.0pF	2.5	2.5	2.5	2.5				
10.0pF	2.5	2.5	2.5	2.5				
12pF	2.5	2.5	2.5	2.5				
15pF	2.5	2.5	2.5	2.5				
18pF	2.5	2.5	2.5	2.5				
22pF	2.5	2.5	2.5	2.5				
27pF	2.5	2.5	2.5	2.5				
33pF	2.5	2.5	2.5	2.5				
39pF	2.5	2.5	2.5	2.5				
47pF	2.5	2.5	2.5	2.5				
56pF	2.5	2.5	2.5	2.5				
68pF	2.5	2.5	2.5	2.5				
82pF	2.5	2.5	2.5	2.5				
100pF	2.5	2.5	2.5	2.5				
120pF	2.5	2.5	2.5	2.5				
150pF	2.5	2.5	2.5	2.5				
180pF	2.5	2.5	2.5	2.5				
220pF	2.5	2.5	2.5	2.5				
270pF	2.5	2.5	2.5	2.5				
330pF	2.5	2.5	2.5	2.5				
390pF	2.5	2.5	2.5	2.5				
470pF	2.5	2.5	2.5	2.5				
560pF	2.5	2.5	2.5	2.5				
680pF	2.5		2.5	2.5				
820pF	2.5		2.5	2.5				
1000pF	2.5		2.5	2.5				
1200pF	2.5		2.5	3.2				
1500pF	2.5		2.5	3.2				
1800pF	2.5		2.5	3.2				
2200pF	2.5			3.2				
2700pF				3.2				
3300pF				3.2				
3900pF				3.2				
4700pF				3.2				
5600pF				3.2				
6800pF					3.2			
8200pF					3.2			
10000pF					3.2			
12000pF					3.2			
15000pF					3.2			

Continued on the following page.

↳ Continued from the preceding page.

Part Number	RPE_1			RPE_2	RPE_4	RPE_5	RPE_6	RPE_7
L x W(mm)	3.5x3.0			5.0x3.5	7.5x5.0	7.5x7.5	10.0x10.0	12.5x12.5
TC Code	COG (5C)	R2H (6R)	U2J (7U)	COG (5C)	COG (5C)	COG (5C)	COG (5C)	COG (5C)
Rated Volt.(Vdc)	50 (1H)	50 (1H)	50 (1H)	50 (1H)	50 (1H)	50 (1H)	50 (1H)	50 (1H)
Capacitance and T(mm)								
18000pF						4.0		
22000pF							4.0	
27000pF							4.0	
33000pF							4.0	
39000pF							4.0	
47000pF								5.0
56000pF								5.0
68000pF								5.0

Temperature Compensating Type 100V

Part Number	RPE_1			RPE_2	RPE_3	RPE_4	RPE_5	RPE_6	RPE_7
L x W(mm)	3.5x3.0			5.0x3.5	5.0x4.5	7.5x5.0	7.5x7.5	10.0x10.0	12.5x12.5
TC Code	COG (5C)	R2H (6R)	U2J (7U)	COG (5C)	COG (5C)	COG (5C)	COG (5C)	COG (5C)	COG (5C)
Rated Volt.(Vdc)	100 (2A)	100 (2A)	100 (2A)	100 (2A)	100 (2A)	100 (2A)	100 (2A)	100 (2A)	100 (2A)
Capacitance and T(mm)									
1.0pF	2.5			2.5					
2.0pF	2.5			2.5					
3.0pF	2.5	2.5	2.5	2.5					
4.0pF	2.5	2.5	2.5	2.5					
5.0pF	2.5	2.5	2.5	2.5					
6.0pF	2.5	2.5	2.5	2.5					
7.0pF	2.5	2.5	2.5	2.5					
8.0pF	2.5	2.5	2.5	2.5					
9.0pF	2.5	2.5	2.5	2.5					
10.0pF	2.5	2.5	2.5	2.5					
12pF	2.5	2.5	2.5	2.5					
15pF	2.5	2.5	2.5	2.5					
18pF	2.5	2.5	2.5	2.5					
22pF	2.5	2.5	2.5	2.5					
27pF	2.5	2.5	2.5	2.5					
33pF	2.5	2.5	2.5	2.5					
39pF	2.5	2.5	2.5	2.5					
47pF	2.5	2.5	2.5	2.5					
56pF	2.5	2.5	2.5	2.5					
68pF	2.5	2.5	2.5	2.5					
82pF	2.5	2.5	2.5	2.5					
100pF	2.5	2.5	2.5	2.5					
120pF	2.5	2.5	2.5	2.5					
150pF	2.5	2.5	2.5	2.5					
180pF	2.5	2.5	2.5	2.5					
220pF	2.5	2.5	2.5	2.5					
270pF	2.5	2.5	2.5	2.5					
330pF	2.5	2.5	2.5	2.5					
390pF	2.5	2.5	2.5	2.5					
470pF	2.5	2.5	2.5	2.5					
560pF	2.5	2.5	2.5	2.5					
680pF	2.5		2.5	2.5					
820pF	2.5		2.5	3.2					

Continued on the following page. ↗

↳ Continued from the preceding page.

Part Number	RPE_1			RPE_2	RPE_3	RPE_4	RPE_5	RPE_6	RPE_7
L x W(mm)	3.5x3.0			5.0x3.5	5.0x4.5	7.5x5.0	7.5x7.5	10.0x10.0	12.5x12.5
TC Code	COG (5C)	R2H (6R)	U2J (7U)	COG (5C)	COG (5C)	COG (5C)	COG (5C)	COG (5C)	COG (5C)
Rated Volt.(Vdc)	100 (2A)	100 (2A)	100 (2A)	100 (2A)	100 (2A)	100 (2A)	100 (2A)	100 (2A)	100 (2A)
Capacitance and T(mm)									
1000pF	2.5			3.2					
1200pF				3.2					
1500pF				3.2					
1800pF				3.2					
2200pF				3.2					
2700pF					3.2				
3300pF					3.2				
3900pF					3.2				
4700pF						2.5			
5600pF						3.2			
6800pF						3.2			
8200pF							4.0		
10000pF							4.0		
12000pF							4.0		
15000pF								4.0	
18000pF								4.0	
22000pF								4.0	
27000pF								4.0	
33000pF								4.0	
39000pF									5.0
47000pF									5.0
56000pF									5.0

Temperature Compensating Type 200V

Part Number	RPE_1		RPE_2	RPE_3	RPE_4	RPE_5	RPE_6	RPE_7
L x W(mm)	3.5x3.0		5.0x3.5	5.0x4.5	7.5x5.0	7.5x7.5	10.0x10.0	12.5x12.5
TC Code	COG (5C)	R2H (6R)	COG (5C)	COG (5C)	COG (5C)	COG (5C)	COG (5C)	COG (5C)
Rated Volt.(Vdc)	200 (2D)	200 (2D)	200 (2D)	200 (2D)	200 (2D)	200 (2D)	200 (2D)	200 (2D)
Capacitance and T(mm)								
1.0pF	2.5		2.5					
2.0pF	2.5		2.5					
3.0pF	2.5	2.5	2.5					
4.0pF	2.5	2.5	2.5					
5.0pF	2.5	2.5	2.5					
6.0pF	2.5	2.5	2.5					
7.0pF	2.5	2.5	2.5					
8.0pF	2.5	2.5	2.5					
9.0pF	2.5	2.5	2.5					
10.0pF	2.5	2.5	2.5					
12pF	2.5	2.5	2.5					
15pF	2.5	2.5	2.5					
18pF	2.5	2.5	2.5					
22pF	2.5	2.5	2.5					
27pF	2.5	2.5	2.5					
33pF	2.5	2.5	2.5					
39pF	2.5	2.5	2.5					
47pF	2.5	2.5	2.5					
56pF	2.5	2.5	2.5					

Continued on the following page. ↗

Continued from the preceding page.

Part Number	RPE_1		RPE_2	RPE_3	RPE_4	RPE_5	RPE_6	RPE_7
L x W(mm)	3.5x3.0		5.0x3.5	5.0x4.5	7.5x5.0	7.5x7.5	10.0x10.0	12.5x12.5
TC Code	COG (5C)	R2H (6R)	COG (5C)	COG (5C)	COG (5C)	COG (5C)	COG (5C)	COG (5C)
Rated Volt.(Vdc)	200 (2D)	200 (2D)	200 (2D)	200 (2D)	200 (2D)	200 (2D)	200 (2D)	200 (2D)
Capacitance and T(mm)								
68pF	2.5	2.5	2.5					
82pF	2.5	2.5	2.5					
100pF	2.5	2.5	2.5					
120pF	2.5		2.5					
150pF			2.5					
180pF			3.2					
220pF			3.2					
270pF			3.2					
330pF			3.2					
390pF			3.2					
470pF				3.2				
560pF				3.2				
680pF				3.2				
820pF				3.2				
1000pF				3.2				
1200pF					3.2			
1500pF					3.2			
1800pF						4.0		
2200pF						4.0		
2700pF						4.0		
3300pF						4.0		
3900pF						4.0		
4700pF							4.0	
5600pF							4.0	
6800pF							4.0	
8200pF							4.0	
10000pF							4.0	
12000pF								5.0
15000pF								5.0
18000pF								5.0
22000pF								5.0
27000pF								5.0

High Dielectric Constant Type 25V Y5V Characteristics

Part Number	RPE_3
L x W(mm)	5.0x4.5
TC Code	Y5V (F5)
Rated Volt.(Vdc)	25 (1E)
Capacitance and T(mm)	
1.0μF	2.5

RPE_3K/3M series only.

High Dielectric Constant Type 25V Z5U Characteristics

Part Number	RPE_3
L x W(mm)	5.0x4.5
TC Code	Z5U (E4)
Rated Volt.(Vdc)	25 (1E)
Capacitance and T(mm)	
1.0μF	2.5

RPE_3K/3M series only.

High Dielectric Constant Type 50V X7R Characteristics

Part Number	RPE_1	RPE_2	RPE_3	RPE_6	RPE_7
L x W(mm)	3.5x3.0	5.0x3.5	5.0x4.5	10.0x10.0	12.5x12.5
TC Code	X7R (R7)	X7R (R7)	X7R (R7)	X7R (R7)	X7R (R7)
Rated Volt.(Vdc)	50 (1H)	50 (1H)	50 (1H)	50 (1H)	50 (1H)
Capacitance and T(mm)					
220pF	2.5	2.5			
330pF	2.5	2.5			
470pF	2.5	2.5			
680pF	2.5	2.5			
1000pF	2.5	2.5			
1500pF	2.5	2.5			
2200pF	2.5	2.5			
3300pF	2.5	2.5			
4700pF	2.5	2.5			
6800pF	2.5	2.5			
10000pF	2.5	2.5			
15000pF	2.5	2.5			
22000pF	2.5	2.5			
33000pF	2.5	3.2			
47000pF	2.5	3.2			
68000pF	2.5	3.2			
0.10μF	2.5	3.2			
0.15μF		3.2			
0.22μF		3.2			
0.33μF		2.5			
0.47μF		3.2			
0.68μF			3.2		
1.0μF			3.2		
1.5μF				4.0	
2.2μF				4.0	
3.3μF					5.0

High Dielectric Constant Type 50V Y5V Characteristics

Part Number	RPE_1	RPE_2	RPE_4	RPE_6
L x W(mm)	3.5x3.0	5.0x3.5	7.5x5.0	10.0x10.0
TC Code	Y5V (F5)	Y5V (F5)	Y5V (F5)	Y5V (F5)
Rated Volt.(Vdc)	50 (1H)	50 (1H)	50 (1H)	50 (1H)
Capacitance and T(mm)				
1000pF	2.5	2.5		
2200pF	2.5	2.5		
4700pF	2.5	2.5		
10000pF	2.5	2.5		
22000pF	2.5	2.5		
47000pF	2.5	2.5		
0.1μF	2.5	2.5		
0.22μF	2.5	3.2		
0.47μF		3.2		
1.0μF			2.5	
2.2μF				4.0
4.7μF				4.0

High Dielectric Constant Type 50V Z5U Characteristics

Part Number	RPE_1	RPE_2	RPE_3	RPE_4	RPE_6	RPE_7
L x W(mm)	3.5x3.0	5.0x3.5	5.0x4.5	7.5x5.0	10.0x10.0	12.5x12.5
TC Code	Z5U (E4)	Z5U (E4)	Z5U (E4)	Z5U (E4)	Z5U (E4)	Z5U (E4)
Rated Volt.(Vdc)	50 (1H)	50 (1H)	50 (1H)	50 (1H)	50 (1H)	50 (1H)
Capacitance and T(mm)						
1000pF	2.5	2.5				
2200pF	2.5	2.5				
4700pF	2.5	2.5				
10000pF	2.5	2.5				
22000pF	2.5	2.5				
47000pF	2.5	2.5				
0.10μF	2.5	2.5				
0.22μF			2.5			
0.47μF			3.2			
1.0μF				3.2		
2.2μF					4.0	
4.7μF						5.0

High Dielectric Constant Type 100V X7R Characteristics

Part Number	RPE_1	RPE_2	RPE_3	RPE_4	RPE_5	RPE_6	RPE_7
L x W(mm)	3.5x3.0	5.0x3.5	5.0x4.5	7.5x5.0	7.5x7.5	10.0x10.0	12.5x12.5
TC Code	X7R (R7)	X7R (R7)	X7R (R7)	X7R (R7)	X7R (R7)	X7R (R7)	X7R (R7)
Rated Volt.(Vdc)	100 (2A)	100 (2A)	100 (2A)	100 (2A)	100 (2A)	100 (2A)	100 (2A)
Capacitance and T(mm)							
220pF	2.5	2.5					
330pF	2.5	2.5					
470pF	2.5	2.5					
680pF	2.5	2.5					
1000pF	2.5	2.5					
1500pF	2.5	2.5					
2200pF	2.5	2.5					
3300pF	2.5	2.5					
4700pF	2.5	2.5					
6800pF	2.5	2.5					
10000pF	2.5	2.5					
15000pF		2.5					
22000pF		3.2					
33000pF		3.2					
47000pF			3.2				
68000pF			3.2				
0.10μF			3.2				
0.15μF				3.2			
0.22μF					4.0		
0.33μF					4.0		
0.47μF					4.0		
0.68μF						4.0	
1.0μF						4.0	
1.5μF							5.0
2.2μF							5.0

High Dielectric Constant Type 100V Y5V Characteristics

Part Number	RPE_1	RPE_2	RPE_3	RPE_4	RPE_5	RPE_6	RPE_7
L x W(mm)	3.5x3.0	5.0x3.5	5.0x4.5	7.5x5.0	7.5x7.5	10.0x10.0	12.5x12.5
TC Code	Y5V (F5)	Y5V (F5)	Y5V (F5)	Y5V (F5)	Y5V (F5)	Y5V (F5)	Y5V (F5)
Rated Volt.(Vdc)	100 (2A)	100 (2A)	100 (2A)	100 (2A)	100 (2A)	100 (2A)	100 (2A)
Capacitance and T(mm)							
1000pF	2.5	2.5					
2200pF	2.5	2.5					
4700pF	2.5	2.5					
10000pF	2.5	2.5					
22000pF		2.5					
47000pF			2.5				
0.10μF				2.5			
0.22μF					4.0		
0.47μF					4.0		
1.0μF						4.0	
2.2μF							5.0

High Dielectric Constant Type 100V Z5U Characteristics

Part Number	RPE_1	RPE_2	RPE_3	RPE_5	RPE_6	RPE_7
L x W(mm)	3.5x3.0	5.0x3.5	5.0x4.5	7.5x7.5	10.0x10.0	12.5x12.5
TC Code	Z5U (E4)	Z5U (E4)	Z5U (E4)	Z5U (E4)	Z5U (E4)	Z5U (E4)
Rated Volt.(Vdc)	100 (2A)	100 (2A)	100 (2A)	100 (2A)	100 (2A)	100 (2A)
Capacitance and T(mm)						
1000pF	2.5	2.5				
2200pF	2.5	2.5				
4700pF	2.5	2.5				
10000pF	2.5	2.5				
22000pF		2.5				
47000pF			2.5			
0.10μF			3.2			
0.22μF				4.0		
0.47μF				4.0		
1.0μF					4.0	
2.2μF						5.0

High Dielectric Constant Type 200V X7R Characteristics

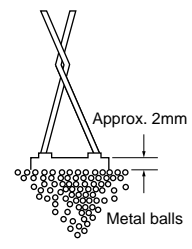
Part Number	RPE_1	RPE_2	RPE_3	RPE_4	RPE_5	RPE_6	RPE_7
L x W(mm)	3.5x3.0	5.0x3.5	5.0x4.5	7.5x5.0	7.5x7.5	10.0x10.0	12.5x12.5
TC Code	X7R (R7)	X7R (R7)	X7R (R7)	X7R (R7)	X7R (R7)	X7R (R7)	X7R (R7)
Rated Volt.(Vdc)	200 (2D)	200 (2D)	200 (2D)	200 (2D)	200 (2D)	200 (2D)	200 (2D)
Capacitance and T(mm)							
220pF	2.5	2.5					
330pF	2.5	2.5					
470pF	2.5	2.5					
680pF	2.5	2.5					
1000pF	2.5	2.5					
1500pF	2.5	2.5					
2200pF	2.5	2.5					
3300pF	2.5	3.2					
4700pF	2.5	3.2					
6800pF		3.2					
10000pF		3.2					
15000pF			3.2				
22000pF			3.2				
33000pF			3.2				
47000pF			3.2				
68000pF				3.2			
0.10μF					4.0		
0.15μF					4.0		
0.22μF						4.0	
0.33μF						4.0	
0.47μF						4.0	
0.68μF							5.0
1.0μF							5.0
1.5μF							5.0

High Dielectric Constant Type 200V Z5U Characteristics

Part Number	RPE_1	RPE_2	RPE_3	RPE_5	RPE_6	RPE_7
L x W(mm)	3.5x3.0	5.0x3.5	5.0x4.5	7.5x7.5	10.0x10.0	12.5x12.5
TC Code	Z5U (E4)	Z5U (E4)	Z5U (E4)	Z5U (E4)	Z5U (E4)	Z5U (E4)
Rated Volt.(Vdc)	200 (2D)	200 (2D)	200 (2D)	200 (2D)	200 (2D)	200 (2D)
Capacitance and T(mm)						
1000pF	2.5	3.2				
2200pF	2.5	3.2				
4700pF		3.2				
10000pF			2.5			
22000pF			3.2			
47000pF			3.2			
0.10μF				4.0		
0.22μF					4.0	
0.47μF						5.0

Specifications and Test Methods

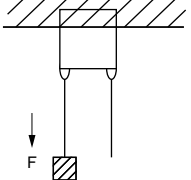
No.	Item	Specification		Test Method												
		Temperature Compensating Type	High Dielectric Constant Type													
1	Operating Temperature Range	-55 to +125°C	X7R : -55 to +125°C Z5U : +10 to + 85°C Y5V : -30 to + 85°C													
2	Rated Voltage	See previous pages.		The rated voltage is defined the maximum voltage which may be applied continuously to the capacitor. When AC voltage is superimposed on DC voltage, V^{P-P} or V^{O-P} , whichever is larger, shall be maintained within the rated voltage range.												
3	Appearance	No defects or abnormalities.		Visual inspection.												
4	Dimension and Marking	See Dimensions		Visual inspection. Vernier Caliper.												
5	Dielectric Strength	Between Terminals	No defects or abnormalities.	The capacitors shall not be damaged when DC voltages of 300 % of the rated voltage are applied between the terminals for 1 to 5 seconds. (Charge/discharge current \leq 50mA) The capacitor is placed in a container with metal balls of diameter 1mm so that each terminal, short-circuited, is kept approximately 2mm from the balls as shown in the figure, and 250 % of the rated DC voltage is impressed for one to five seconds between capacitor terminals and metal balls. (Charge/discharge current \leq 50mA)												
		Body Insulation	No defects or abnormalities.													
6	Insulation Resistance	Between Terminals	100,000M Ω min. or 1000 Ω • F min. (whichever is smaller) X7R : 100,000M Ω min. or 1000 Ω • F min. (whichever is smaller) Z5U } : 10,000M Ω min. or 500 Ω • F min. (whichever is smaller) Y5V }	The insulation resistance shall be measured with a DC voltage not exceeding the rated voltage at normal temperature and humidity and within 2 minutes of charging. (Charge/Discharge current \leq 50mA)												
7	Capacitance	Within the specified tolerance.		The capacitance, Q/DF shall be measured at 25°C at the frequency and voltage shown in the table.												
8	Q/Dissipation Factor (D.F.)	30pF min. : Q \geq 1000 30pF max. : Q \geq 400+20C C : Nominal capacitance (pF)		<table border="1" style="width: 100%; border-collapse: collapse;"> <thead> <tr> <th>Char.</th> <th>C0G, R2H, U2J (1000pF and Below)</th> <th>C0G, R2H, U2J (more than 1000pF) X7R, Y5V)</th> <th>Z5U</th> </tr> </thead> <tbody> <tr> <td>Frequency</td> <td>1±0.1MHz</td> <td>1±0.1kHz</td> <td>1±0.1kHz</td> </tr> <tr> <td>Voltage</td> <td>0.5 to 5Vrms</td> <td>1±0.2Vrms</td> <td>0.5±0.0.5Vrms</td> </tr> </tbody> </table>	Char.	C0G, R2H, U2J (1000pF and Below)	C0G, R2H, U2J (more than 1000pF) X7R, Y5V)	Z5U	Frequency	1±0.1MHz	1±0.1kHz	1±0.1kHz	Voltage	0.5 to 5Vrms	1±0.2Vrms	0.5±0.0.5Vrms
		Char.	C0G, R2H, U2J (1000pF and Below)		C0G, R2H, U2J (more than 1000pF) X7R, Y5V)	Z5U										
Frequency	1±0.1MHz	1±0.1kHz	1±0.1kHz													
Voltage	0.5 to 5Vrms	1±0.2Vrms	0.5±0.0.5Vrms													
		X7R } : 0.025 max. Z5U } Y5V } : 0.05 max.														
9	Capacitance Temperature Characteristics	Capacitance Change	Within the specified tolerance. (Table A)	The capacitance change shall be measured after 5min. at each specified temperature stage. (1) Temperature Compensating Type The temperature coefficient is determined using the capacitance measured in step 3 as a reference. When cycling the temperature sequentially from step 1 through 5 (-55 to +125°C for C0G ; -55 to +85°C for other temp. coeffs.) the capacitance shall be within the specified tolerance for the temperature coefficient and capacitance change as Table A. The capacitance drift is calculated by dividing the differences between the maximum and minimum measured values in step 1, 3 and 5 by the cap. value in step 3. <table border="1" style="width: 100%; border-collapse: collapse;"> <thead> <tr> <th>Step</th> <th>Temperature (°C)</th> </tr> </thead> <tbody> <tr> <td>1</td> <td>25±2</td> </tr> <tr> <td>2</td> <td>-55±3</td> </tr> <tr> <td>3</td> <td>25±2</td> </tr> <tr> <td>4</td> <td>125±3 (for C0G) 85±3 (for other TC)</td> </tr> <tr> <td>5</td> <td>25±2</td> </tr> </tbody> </table>	Step	Temperature (°C)	1	25±2	2	-55±3	3	25±2	4	125±3 (for C0G) 85±3 (for other TC)	5	25±2
		Step	Temperature (°C)													
		1	25±2													
2	-55±3															
3	25±2															
4	125±3 (for C0G) 85±3 (for other TC)															
5	25±2															
Temperature Coefficient	Within the specified tolerance. (Table A)	Within the specified tolerance. (Table B)														
Capacitance Drift	Within ±0.2% or ±0.05pF (Whichever is larger)															
				(2) High Dielectric Constant Type The ranges of capacitance change compared with the 25°C value over the temperature ranges shown in the Table B shall be within the specified ranges.												



Continued on the following page.

Specifications and Test Methods

Continued from the preceding page.

No.	Item	Specification		Test Method	
		Temperature Compensating Type	High Dielectric Constant Type		
10	Terminal Strength	Tensile Strength	Termination not to be broken or loosened.		<p>As in the figure, fix the capacitor body, apply the force gradually to each lead in the radial direction of the capacitor until reaching 10N* and then keep applied the force for 10±1 seconds.</p>  <p>* 5N for L3.5×W3.0 (mm)</p>
		Bending Strength	Termination not to be broken or loosened.		
11	Vibration Resistance	Appearance	No defects or abnormalities.		<p>The capacitor is soldered securely to a supporting terminal and a 10 to 55Hz vibration of 1.5mm peak-peak amplitude is applied for six hours total, 2 hours in each mutually perpendicular direction. Allow 1 minute to cycle the frequency from 10Hz to 55Hz and the converse.</p>
		Capacitance	Within the specified tolerance.		
		Q/D.F.	30pF min. : $Q \geq 1000$ 30pF max. : $Q \geq 400+20C$ C : Nominal capacitance (pF)	X7R } : 0.025 max. Z5U } Y5V } : 0.05 max.	
12	Solderability of Leads	Solder is deposited on unintermittently immersed portion in axial direction covering 3/4 or more in circumferential direction of lead wires.		<p>The terminal of a capacitor is dipped into a 25 % ethanol (JIS-K-8101) solution of rosin (JIS-K-5902) and then into molten solder (JIS-H-4341, H63A) of 235±5°C for 2 seconds ±0.5 seconds. In both cases the depth of dipping is up to about 1.5mm to 2mm from the terminal body.</p>	
13	Resistance to Soldering Heat	Appearance	No defects or abnormalities.		<p>The lead wire is immersed in the melted solder (JIS-H-4341, H63A) 1.5mm to 2mm from the main body at 270±5°C for 3±0.5 seconds (L3.5×W3.0 (mm) type) or 350±10°C for 3.5 seconds ±0.5 seconds (all other types). The specified items are measured after 24 hours ±2 hours (temperature compensating type) or 48 hours ±4 hours (high dielectric type).</p> <p>• Initial measurement for high dielectric constant type.</p> <p>The capacitors are heat treated for one hour at 150±₁₀⁰ °C, allowed to set at room temperature for 48 hours ±4 hours, and given an initial measurement.</p>
		Capacitance Change	Within ±2.5% or ±0.25pF (Whichever is larger)	X7R } : Within ±7.5% Z5U } Y5V } : Within ±20%	
		Dielectric Strength (Between Terminals)	No defects.		
14	Temperature and Immersion Cycle	Appearance	No defects or abnormalities.		<p>First, repeat the following temperature/time cycle five times :</p> <ul style="list-style-type: none"> lowest operating temperature ±3°C/30±3 minutes ⊗ ordinary temperature/3 minutes max. highest operating temperature ±3°C/30±3 minutes ⊗ ordinary temperature/3 minutes max. <p>Next, repeat twice the successive cycles of immersion, each cycle consisting of immersion in a fresh water at 65±₅⁰ °C for 15 minutes and immersion in a saturated aqueous solution of salt at 0±3°C for 15 minutes. The capacitor is then promptly washed in running water, dried with a drying cloth, and allowed to sit at room temperature for 24 hours ±2 hours (temperature compensating type) or 48 hours ±4 hours (high dielectric type).</p> <p>• Initial measurement for high dielectric constant type.</p> <p>The capacitors are heat treated for one hour at 150±₁₀⁰ °C, allowed to sit at room temperature for 48 hours ±4 hours, and given an initial measurement.</p>
		Capacitance Change	Within ±5% or ±0.5pF (Whichever is larger)	X7R } : Within ±12.5% Z5U } Y5V } : Within ±30%	
		Q/D.F.	30pF min. : $Q \geq 350$ 10pF to 30pF : $Q \geq 275 + \frac{C}{2}$ 10pF max. : $Q \geq 200+10C$ C : Nominal capacitance (pF)	X7R } : 0.05 max. Z5U } Y5V } : 0.075 max.	
		Insulation Resistance	10000MΩ or 500Ω • F min. (Whichever is smaller)	X7R } : 10000MΩ or 500Ω • F min. (Whichever is smaller) Z5U } : 1000MΩ or 50Ω • F min. Y5V } : (Whichever is smaller)	
		Dielectric Strength (Between Terminals)	No defects or abnormalities.		

Continued on the following page. ↗

Specifications and Test Methods

Continued from the preceding page.

No.	Item	Specification		Test Method	
		Temperature Compensating Type	High Dielectric Constant Type		
15	Humidity (Steady State)	Appearance	No defects or abnormalities.		Set the capacitor for 500 hours $\pm 24_0$ hours at $40 \pm 2^\circ\text{C}$ in 90 to 95% humidity. Remove and set for 24 hours ± 2 hours (temperature compensating type) and 48 hours ± 4 hours (high dielectric constant type) at room temperature, then measure. • Initial measurement for high dielectric constant type The capacitors are heat treated for one hour at $150 \pm_{-10}^0$ °C, allowed to sit at room temperature for 48 hours ± 4 hours and given an initial measurement.
		Capacitance Change	Within $\pm 5\%$ or $\pm 0.5\text{pF}$ (Whichever is larger)	X7R : Within $\pm 12.5\%$ Z5U } : Within $\pm 30\%$ Y5V }	
		Q/D.F.	30pF min. : $Q \geq 350$ 10pF to 30pF : $Q \geq 275 + \frac{Q}{2} \text{ C}$ 10pF max. : $Q \geq 200 + 10\text{C}$ C : Nominal capacitance (pF)	X7R : 0.05 max. Z5U } : 0.075 max. Y5V }	
		Insulation Resistance	10000M Ω or 500 $\Omega \cdot \text{F}$ min. (Whichever is smaller)	X7R : 10000M Ω or 500 $\Omega \cdot \text{F}$ min. (whichever is smaller) Z5U } : 1000M Ω or 50 $\Omega \cdot \text{F}$ min. Y5V } : (whichever is smaller)	
16	Humidity Load	Appearance	No defects or abnormalities.		Apply the rated voltage for 500 hours $\pm 24_0$ hours at $40 \pm 2^\circ\text{C}$ and in 90 to 95% humidity. Remove and set for 24 hours ± 2 hours (temperature compensating type) and 48 hours ± 4 hours (high dielectric constant type) at room temperature, then measure. The charge/discharge current is less than 50mA.
		Capacitance Change	Within $\pm 5\%$ or $\pm 0.5\text{pF}$ (Whichever is larger)	X7R : Within $\pm 12.5\%$ Z5U } : Within $\pm 30\%$ Y5V }	
		Q/D.F.	30pF min. : $Q \geq 350$ 10pF to 30pF : $Q \geq 275 + \frac{Q}{2} \text{ C}$ 10pF max. : $Q \geq 200 + 10\text{C}$ C : Nominal capacitance (pF)	X7R : 0.05 max. Z5U } : 0.075 max. Y5V }	
		Insulation Resistance	10000M Ω or 500 $\Omega \cdot \text{F}$ min. (Whichever is smaller)	X7R : 10000M Ω or 500 $\Omega \cdot \text{F}$ min. (whichever is smaller) Z5U } : 1000M Ω or 50 $\Omega \cdot \text{F}$ min. Y5V } : (whichever is smaller)	
17	High Temperature Load	Appearance	No defects or abnormalities.		Apply 200% of the rated voltage for 1000 hours $\pm 48_0$ hours at the maximum operating temperature. Remove and set for 24 hours ± 2 hours (temperature compensating type) and 48 hours ± 4 hours (high dielectric constant type) at room temperature, then measure. The charge/discharge current is less than 50mA. • Initial measurement for high dielectric constant type A voltage treatment shall be given to the capacitor in which a DC voltage of 200% of the rated voltage is applied for one hour at the maximum operating temperature $\pm 3^\circ\text{C}$. Then set for 48 hours ± 4 hours at room temperature and conduct initial measurement.
		Capacitance Change	Within $\pm 3\%$ or $\pm 0.3\text{pF}$ (Whichever is larger)	X7R : Within $\pm 12.5\%$ Z5U } : Within $\pm 30\%$ Y5V }	
		Q/D.F.	30pF min. : $Q \geq 350$ 10pF to 30pF : $Q \geq 275 + \frac{Q}{2} \text{ C}$ 10pF max. : $Q \geq 200 + 10\text{C}$ C : Nominal capacitance (pF)	X7R : 0.04 max. Z5U } : 0.075 max. Y5V }	
		Insulation Resistance	10000M Ω or 500 $\Omega \cdot \text{F}$ min. (Whichever is smaller)	X7R : 10000M Ω or 500 $\Omega \cdot \text{F}$ min. (whichever is smaller) Z5U } : 1000M Ω or 50 $\Omega \cdot \text{F}$ min. Y5V } : (whichever is smaller)	
18	Solvent Resistance	Appearance	No defects or abnormalities.		The capacitor shall be fully immersed, unagitated, in reagent at 20 to 25°C for 30 sec. ± 5 sec. and then remove gently. Marking on the surface of the capacitor shall immediately be visually examined. Reagent : • Isopropyl alcohol
		Marking	Legible		

Table A

Char.	Nominal Values (ppm/°C) *1	Capacitance Change from 25°C (%)					
		-55°C		-30°C		-10°C	
		Max.	Min.	Max.	Min.	Max.	Min.
C0G	0 ± 30	0.58	-0.24	0.40	-0.17	0.25	-0.11
R2H	-220 ± 60	3.02	1.28	2.08	0.88	1.32	0.56
U2J	-750 ± 120	8.78	5.04	6.04	3.47	3.84	2.21

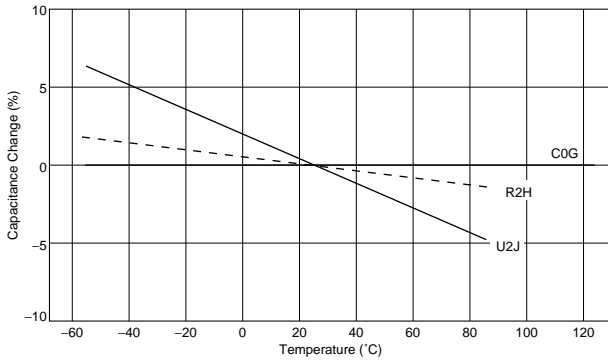
*1 : Nominal values denote the temperature coefficient within a range of 25 to 125°C (for C0G)/85°C (for other TC).

Table B

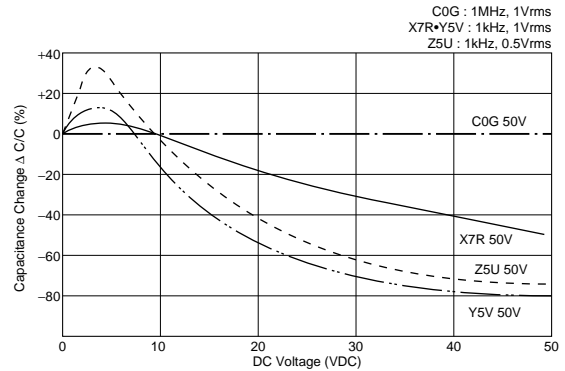
Char.	Temp. Range	Reference Temp.	Cap. Change Rate
X7R	-55 to +125°C	25°C	Within $\pm 15\%$
Z5U	+10 to + 85°C		Within $\pm_{-56}^{+22}\%$
Y5V	-30 to + 85°C		Within $\pm_{-82}^{+22}\%$

Specifications and Test Methods

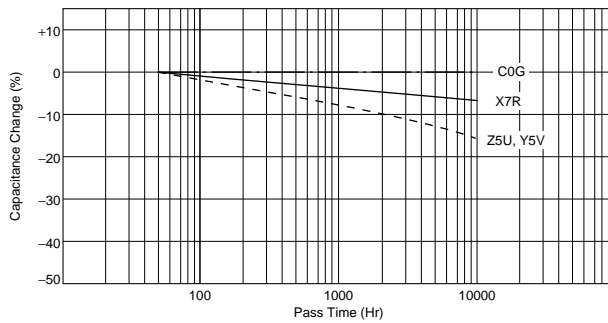
■ Capacitance-Temperature Characteristics



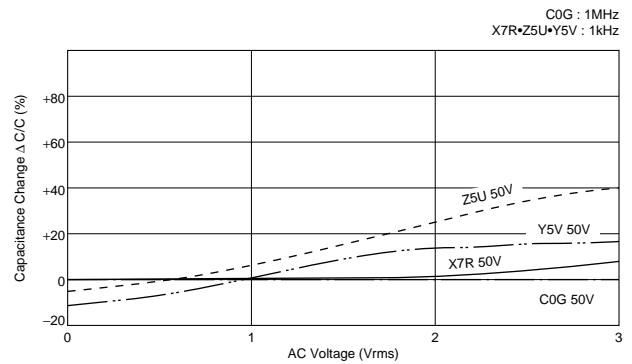
■ Capacitance-DC Voltage Characteristics



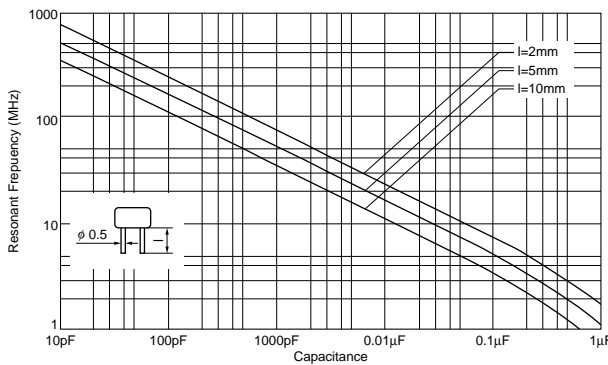
■ Capacitance Change-Aging



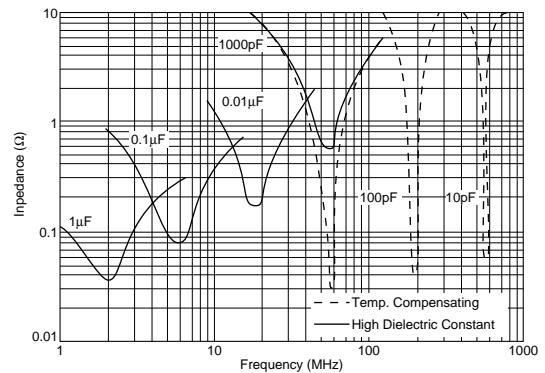
■ Capacitance-AC Voltage Characteristics



■ Capacitance-Resonant Frequency



■ Impedance-Frequency Characteristics



Packaging

■ PACKAGING

Two types of packaging for epoxy coated monolithic ceramic capacitors are available.

1. BULK PAGING

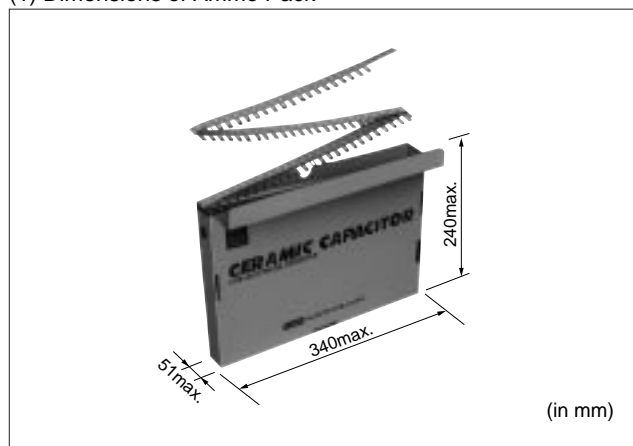
Minimum quantity *

Size code	Dimensions (LxW)	Minimum quantity (pcs./bag)
1	3.5x3.0	500
2	5.0x3.5	
3	5.0x4.5	
4	7.5x5.0	
5	7.5x7.5	
6	10.0x10.0	
7	12.5x12.5	100

Please order with an integral multiple of the minimum quantity above.

2. TAPE CARRIER PACKAGING

(1) Dimensions of Ammo Pack



(2) Minimum quantity *

Size and Lead code	Dimensions (LxW)	Minimum quantity (pcs./Ammo Pack)
2S□	5.0x3.5	2000
2M□		
3S□	5.0x4.5	
3M□		
4M□	7.5x5.0	
5E□	7.5x7.5	
6E□	10.0x10.0	1500

Please order with an integral multiple of the minimum quantity above.

(3) Marking on Ammo Pack

The following items are in the marking position on the side of the ammo pack.

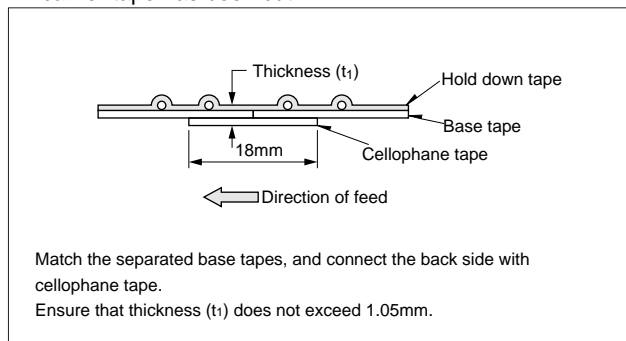
- (1) Part Number
- (2) Quantity
- (3) Inspection No.
- (4) Manufacturer's name, or its abbreviation.
- (5) Other requirements.

* "Minimum Quantity" means the numbers of units of each delivery or order. The quantity should be an integral multiple of the "minimum quantity". (Please note that the actual delivery quantity in a package may change sometimes.)

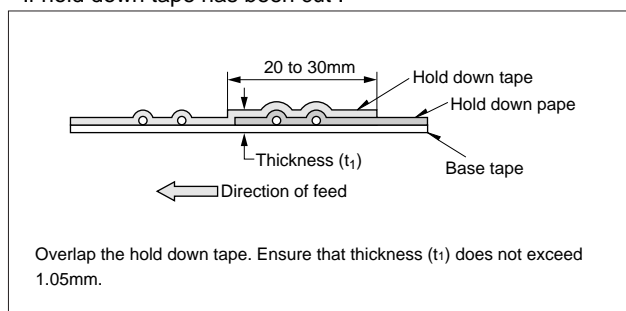
(4) Incidental condition of taping

(4)-1 Tape splicing

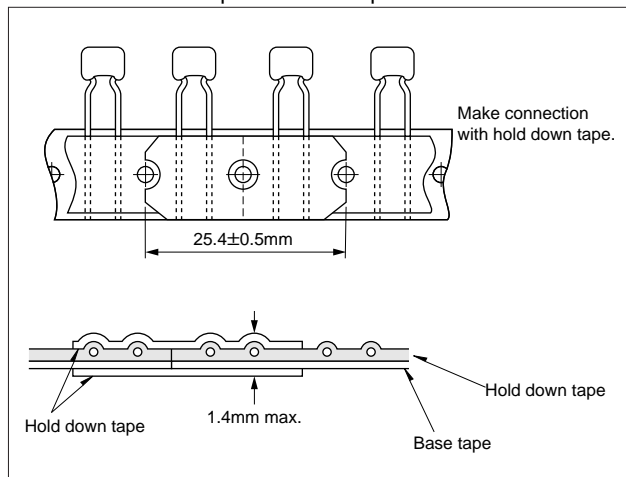
- If carrier tape has been cut :



- If hold down tape has been cut :



- If both hold down tape and base tape have been cut :



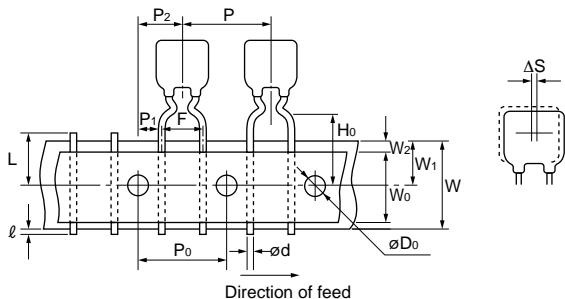
Continued on the following page. ↗

Packaging

Continued from the preceding page.

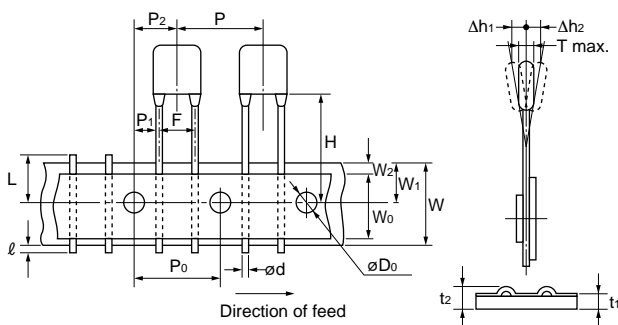
(5) Taping dimensions

Inside Crimp Type Taping



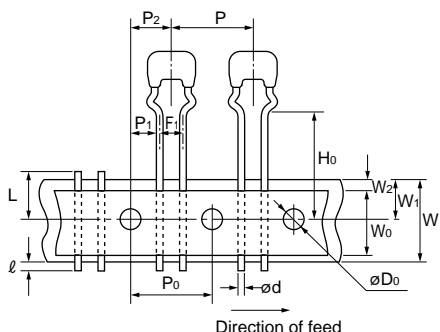
Size and Lead code	Dimensions (LxW)
2M1	5.0x3.5
2M2	
3M1	5.0x4.5
3M2	
4M1	7.5x5.0
4M2	

Straight Type Taping



Size and Lead code	Dimensions (LxW)
5E1	7.5x7.5
5E2	
6E1	10.0x10.0
6E2	

Outside Crimp Type Taping



Size and Lead code	Dimensions (LxW)
2S1	5.0x3.5
2S2	
3S1	5.0x4.5
3S2	

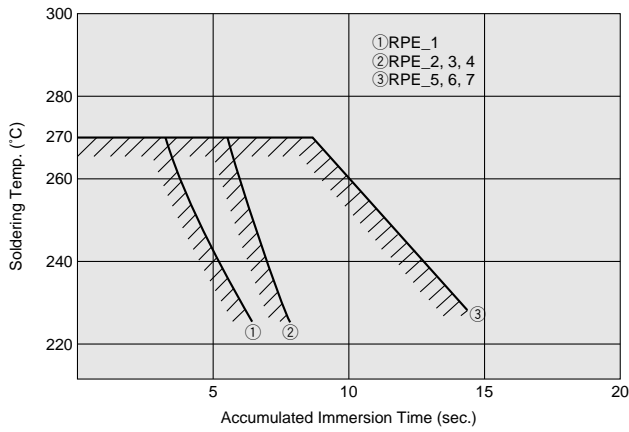
Item	Code	Dimensions (mm)
Pitch of Component	P	12.7
Pitch of Sprocket Hole	P ₀	12.7±0.2
Lead Spacing	F ₁	2.5 ^{+0.4} _{-0.2}
	F	5.0 ^{+0.6} _{-0.2}
Length from Hole Center to Component Center	P ₂	6.35±1.3
Length from Hole Center to Lead	P ₁	3.85±0.7
	P ₁	5.1±0.7 (S1) (S2)
		254±1.5 Total length of components pitch X 20
Body Dimension	See Dimensions	
Deviation Along Tape, Left or Right Defect	ΔS	±2.0
Carrier Tape Width	W	18.0±0.5
Position of Sprocket Hole	W ₁	9.0 ⁺⁰ _{-0.5}
Lead Distance between Reference and Bottom Plane	H ₀	16.0±0.5 (M1) (S1)
	H ₀	20.0±0.5 (M2) (S2)
For Straight Lead Type	H	20±0.5 (E2), 17.5±0.5 (E1)
Diameter of Sprocket Hole	D ₀	4.0±0.1
Lead Diameter	d	0.5±0.05
Total Tape Thickness	t ₁	0.6±0.3
Total Thickness of Tape and Lead Wire	t ₂	1.5 max.
Body Thickness	T	See Dimensions
Deviation Across Tape	Δh ₁	1.0 max.
	Δh ₂	1.0 max.
Portion to Cut in Case of Defect	L	11.0 ⁺⁰ _{-1.0}
Protrusion Length	ℓ	0.5 max.
Hold Down Tape Width	W ₀	11.5 min.
Hold Down Tape Position	W ₂	1.5±1.5
Coating Extension	See Dimensions	

(in mm)

Notice

■ Notice (Soldering and Mounting)

1. Allowable Conditions for Soldering Temperature and Time



Perform soldering within tolerance range (shaded portion).

2. Insertion of the Lead Wire

- (1) When soldering, insert the lead wire into the PCB without mechanically stressing the lead wire.
- (2) Insert the lead wire into the PCB with a distance appropriate to the lead space.

⚠Note:

1. Export Control

⟨For customers outside Japan⟩

Murata products should not be used or sold for use in the development, production, stockpiling or utilization of any conventional weapons or mass-destructive weapons (nuclear weapons, chemical or biological weapons, or missiles), or any other weapons.

⟨For customers in Japan⟩

For products which are controlled items subject to the "Foreign Exchange and Foreign Trade Law" of Japan, the export license specified by the law is required for export.

2. Please contact our sales representatives or product engineers before using our products listed in this catalog for the applications listed below which require especially high reliability for the prevention of defects which might directly cause damage to the third party's life, body or property, or when intending to use one of our products for other applications than specified in this catalog.

- | | |
|-----------------------------|---|
| ① Aircraft equipment | ② Aerospace equipment |
| ③ Undersea equipment | ④ Power plant equipment |
| ⑤ Medical equipment | ⑥ Transportation equipment (vehicles, trains, ships, etc.) |
| ⑦ Traffic signal equipment | ⑧ Disaster prevention / crime prevention equipment |
| ⑨ Data-processing equipment | ⑩ Application of similar complexity and/or reliability requirements to the applications listed in the above |

3. Product specifications in this catalog are as of July 2002. They are subject to change or our products in it may be discontinued without advance notice. Please check with our sales representatives or product engineers before ordering. If there are any questions, please contact our sales representatives or product engineers.

4. Please read rating and ⚠CAUTION (for storage and operating, rating, soldering and mounting, handling) in this catalog to prevent smoking and/or burning, etc.

5. This catalog has only typical specifications because there is no space for detailed specifications. Therefore, please approve our product specification or transact the approval sheet for product specification before ordering.

6. Please read CAUTION and Notice in this catalog for safety. This catalog has only typical specifications. Therefore you are requested to approve our product specification or to transact the approval sheet for product specification, before ordering.

7. Please note that unless otherwise specified, we shall assume no responsibility whatsoever for any conflict or dispute that may occur in connection with the effect of our and/or third party's intellectual property rights and other related rights in consideration of your using our products and/or information described or contained in our catalogs. In this connection, no representation shall be made to the effect that any third parties are authorized to use the rights mentioned above under licenses without our consent.

8. No ozone depleting substances (ODS) under the Montreal Protocol are used in our manufacturing process.