

SN74LV4320A

LOW-POWER, DUAL-SUPPLY, LEVEL-TRANSLATING CompactFlash™ INTERFACE WITH 16-BIT DATA, 11-BIT ADDRESS, AND 13-BIT CONTROL LINES

SCES628A – APRIL 2005 – REVISED APRIL 2005

- Member of the Texas Instruments Widebus+™ Family
- Designed to Optimize Power Savings in Portable Applications
- 1.65-V to 5.5-V Level Translation Using Dual Supplies
- Matched Pinout With CompactFlash™ (CF) Connector Pin Configurations to Optimize PCB Layout
- Input-Disable Feature Allows Floating Input Conditions
- I_{off} Supports Partial-Power-Down Mode Operation
- Latch-Up Performance Exceeds 250 mA Per JESD 17
- ESD
 - 15-kV Human-Body Model
 - ±4-kV IEC61000-4-2, Contact Discharge (Latch-Up Immune)

description/ordering information

This CompactFlash™ (CF) interface chip is designed to provide a single-chip solution for CF card interfaces. Separate V_{CC} rails for the system bus side and the CF connector bus side allow voltage-level shifting. This is helpful for interfacing between a core chipset, which may operate from 3.3 V down to 1.65 V, and CF cards, which operate from 3.3-V or 5-V supply voltages. All the input buffers feature the input-disable function, which allows conditional floating input signals. The input, output, and I/O buffers on the CF connector side have been defined to comply with CF+ and CompactFlash specification revisions 1.4 and 2.0.

This device has 16-bit data lines and 24-bit address/command lines. $\overline{CD1}$ and $\overline{CD2}$ have internal pullup resistors to pull them to a high logic state if there is no card in the CF slot. The presence of a CF card in the CF card slot generates a low logic signal at \overline{SCD} . A separate power-supply pin, V_{CC_SD}, controls the \overline{SCD} output buffer. The \overline{SCD} signal can be used to control a voltage regulator, which may power the CF slot and the CF side of this device. V_{CC_SD} is particularly helpful when the core processor operates at a low V_{CC}, but the regulator needs a higher control signal voltage.

The $\overline{MASTER_EN}$ signal controls all the buffers and transceivers except $\overline{CD1}$ and $\overline{CD2}$. If $\overline{MASTER_EN}$ is high, the SN74LV4320A is in a power-down mode. The $\overline{BUF_EN}$ signal, in conjunction with $\overline{MASTER_EN}$, controls the 11-bit address lines and 13-bit control/command lines.

The 16-bit data lines use two separate enable signals. \overline{ENL} , in conjunction with $\overline{MASTER_EN}$, controls the lower 8-bit data lines (D07–D00). \overline{ENH} , in conjunction with $\overline{MASTER_EN}$, controls the upper 8-bit data lines (D15–D08). A $\overline{DIR(S/CF)}$ input controls the data direction between the system bus and the CF card. An additional $\overline{DIR_OUT}$ pin generates the $\overline{DIR(S/CF)}$ signal using the \overline{SOE} and \overline{SIORD} signals. With either \overline{SOE} or \overline{SIORD} being low, the data direction is from the CF card side to the system side ($\overline{DIR_OUT} = L$). $\overline{DIR(S/CF)}$ and $\overline{DIR_OUT}$ are placed adjacent to each other, which is convenient for connecting $\overline{DIR(S/CF)}$ and $\overline{DIR_OUT}$, if $\overline{DIR_OUT}$ is used. This saves an additional signal from the system controller to control the data direction.

ORDERING INFORMATION

T _A	PACKAGE†	ORDERABLE PART NUMBER	TOP-SIDE MARKING
–40°C to 85°C	LFPGA – GKF Tape and reel	SN74LV4320AGKFR	LM320A

† Package drawings, standard packing quantities, thermal data, symbolization, and PCB design guidelines are available at www.ti.com/sc/package.



Please be aware that an important notice concerning availability, standard warranty, and use in critical applications of Texas Instruments semiconductor products and disclaimers thereto appears at the end of this data sheet.

Widebus+ is a trademark of Texas Instruments.
CompactFlash is a trademark of Sandisk Corporation.

PRODUCTION DATA information is current as of publication date. Products conform to specifications per the terms of Texas Instruments standard warranty. Production processing does not necessarily include testing of all parameters.



POST OFFICE BOX 655303 • DALLAS, TEXAS 75265

Copyright © 2005, Texas Instruments Incorporated

SN74LV4320A

LOW-POWER, DUAL-SUPPLY, LEVEL-TRANSLATING CompactFlash™ INTERFACE WITH 16-BIT DATA, 11-BIT ADDRESS, AND 13-BIT CONTROL LINES

SCES628A – APRIL 2005 – REVISED APRIL 2005

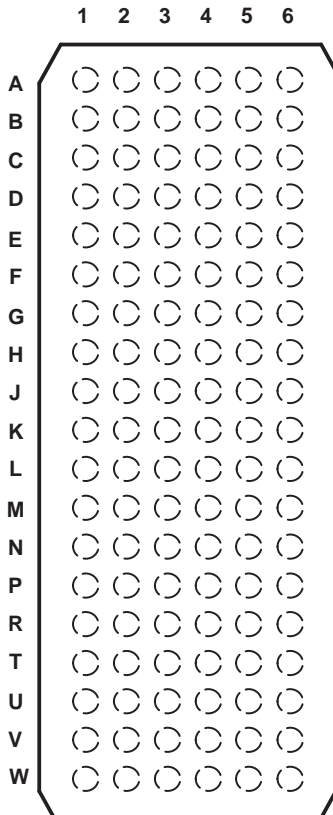
description/ordering information (continued)

BVD1, BVD2, $\overline{\text{INPACK}}$, $\overline{\text{READY}}$, $\overline{\text{WAIT}}$, and $\overline{\text{WP}}$ have 100-k Ω internal pullup resistors, eliminating the need for external pullups. The resistors are within the tolerance of CF+ and CompactFlash specification revisions 1.4 and 2.0.

This device is fully specified for partial-power-down applications using I_{off} . The I_{off} circuitry disables the outputs, preventing damaging current backflow through the device when it is powered down.

board-optimized pin configuration

GKF PACKAGE
(TOP VIEW)



terminal assignments

	1	2	3	4	5	6
A	D12	D04	D03	SD14	SD12	SD11
B	D13	D05	D11	SD13	SD10	SD09
C	D14	D06	SD15	$\overline{\text{SINPACK}}$	SD08	SD07
D	D15	D07	$V_{\text{CC_CF}}$	$V_{\text{CC_S}}$	SD06	SD05
E	$\overline{\text{CE2}}$	$\overline{\text{CE1}}$	GND	GND	SD04	SD03
F	$\overline{\text{OE}}$	A10	$V_{\text{CC_CF}}$	$V_{\text{CC_S}}$	SD02	SD01
G	A09	$\overline{\text{IORD}}$	GND	GND	SD00	$\overline{\text{SCE1}}$
H	A08	$\overline{\text{IOWR}}$	$V_{\text{CC_CF}}$	$V_{\text{CC_S}}$	$\overline{\text{EN_L}}$	$\overline{\text{EN_H}}$
J	A07	$\overline{\text{WE}}$	GND	GND	$\overline{\text{MASTER_EN}}$	$\overline{\text{BUF_EN}}$
K	A06	$\overline{\text{READY}}$	A05	$\overline{\text{SCE2}}$	$\overline{\text{SOE}}$	$\overline{\text{SIORD}}$
L	A04	$\overline{\text{RESET}}$	GND	GND	$\overline{\text{SWE}}$	$\overline{\text{SIOWR}}$
M	A03	$\overline{\text{WAIT}}$	$V_{\text{CC_CF}}$	$V_{\text{CC_S}}$	$\overline{\text{SREADY}}$	$\overline{\text{SRESET}}$
N	A02	$\overline{\text{INPACK}}$	GND	GND	$\overline{\text{SWAIT}}$	$\overline{\text{SREG}}$
P	A01	$\overline{\text{REG}}$	$V_{\text{CC_CF}}$	GND	SBVD2	SBVD1
R	A00	BVD2	$V_{\text{CC_CF}}$	$V_{\text{CC_S}}$	SA10	SWP
T	D00	BVD1	$V_{\text{CC_SD}}$	$\text{DIR}(\overline{\text{S}}/\text{CF})$	SA08	SA09
U	D01	D08	$\overline{\text{CD1}}$	DIR_OUT	SA06	SA07
V	D02	D09	$\overline{\text{CD2}}$	SA00	SA04	SA05
W	$\overline{\text{WP}}$	D10	$\overline{\text{SCD}}$	SA01	SA02	SA03

SN74LV4320A

**LOW-POWER, DUAL-SUPPLY, LEVEL-TRANSLATING CompactFlash™ INTERFACE
WITH 16-BIT DATA, 11-BIT ADDRESS, AND 13-BIT CONTROL LINES**

SCES628A – APRIL 2005 – REVISED APRIL 2005

FUNCTION TABLES

Lower 8-Bit Data Bus Transceivers (D07–D00, SD07–SD00)

INPUTS			OPERATION
MASTER_EN	ENL	DIR (\overline{S}/CF)	
L	L	H	SD data to D bus
L	L	L	D data to SD bus
L	H	X	Isolation. D07–D00 and SD07–SD00 inputs can float.
H	X	X	Isolation, low power mode

X = H or L

Upper 8-Bit Data Bus Transceivers (D15–D08, SD15–SD08)

INPUTS			OPERATION
MASTER_EN	ENH	DIR (\overline{S}/CF)	
L	L	H	SD data to D bus
L	L	L	D data to SD bus
L	H	X	Isolation. D15–D08 and SD15–SD08 inputs can float.
H	X	X	Isolation, low power mode

X = H or L

Address Bus Buffers

INPUTS			OUTPUT A
MASTER_EN	BUF_EN	SA	
L	L	H	H
L	L	L	L
L	H	X	Z. SA inputs can float.
H	X	X	Z, low power mode

X = H or L

Command Line Buffers
(BVD1, BVD2, INPACK, OE, IORD, IOWR,
READY, REG, CE1, CE2, WAIT, WE, WP,)

INPUTS			OUTPUT
MASTER_EN	BUF_EN	INPUT	
L	L	H	H
L	L	L	L
L	H	X	Z. Command line buffer inputs can float.
H	X	X	Z, low power mode

X = H or L

Reset

INPUTS		OUTPUT RESET
MASTER_EN	SRESET	
L	H	H
L	L	L
H	X	Z, low power mode

X = H or L

SN74LV4320A**LOW-POWER, DUAL-SUPPLY, LEVEL-TRANSLATING CompactFlash™ INTERFACE
WITH 16-BIT DATA, 11-BIT ADDRESS, AND 13-BIT CONTROL LINES**SCES628A – APRIL 2005 – REVISED APRIL 2005

FUNCTION TABLES (Continued)**DIR_OUT**

INPUTS				OUTPUT DIR_OUT
BUF_EN	MASTER_EN	SOE	SIORD	
L	L	L	L	L
L	L	L	H	L
L	L	H	L	L
L	L	H	H	H
H	L	X	X	L
X	H	X	X	Z, low power mode

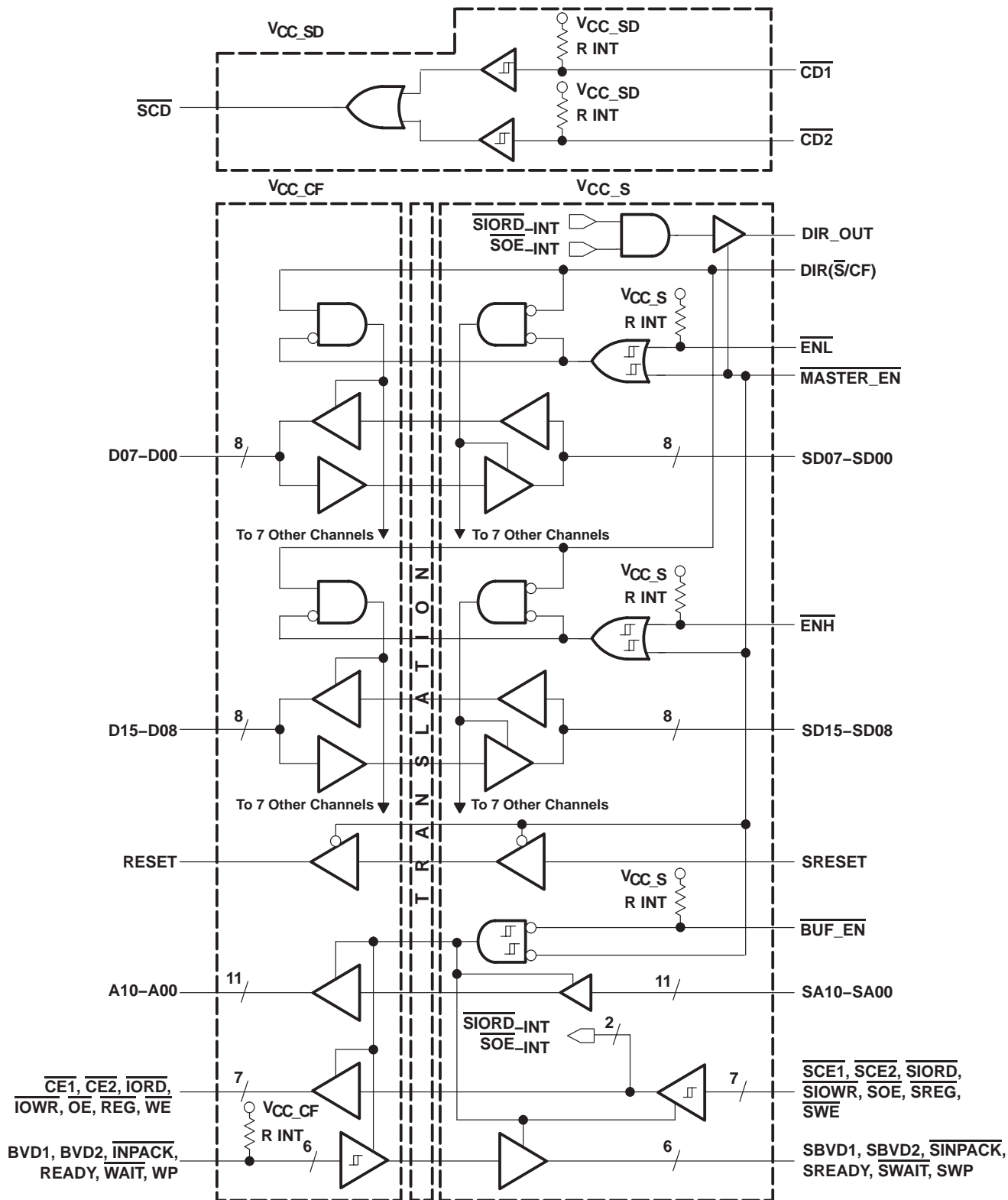
X = H or L

SN74LV4320A

LOW-POWER, DUAL-SUPPLY, LEVEL-TRANSLATING CompactFlash™ INTERFACE WITH 16-BIT DATA, 11-BIT ADDRESS, AND 13-BIT CONTROL LINES

SCES628A – APRIL 2005 – REVISED APRIL 2005

logic diagram



NOTE: R INT \geq 100 k Ω

SN74LV4320A

LOW-POWER, DUAL-SUPPLY, LEVEL-TRANSLATING CompactFlash™ INTERFACE WITH 16-BIT DATA, 11-BIT ADDRESS, AND 13-BIT CONTROL LINES

SCES628A – APRIL 2005 – REVISED APRIL 2005

absolute maximum ratings over operating free-air temperature range (unless otherwise noted)†

Supply voltage range, V_{CC_S}	-0.5 V to 4.6 V
V_{CC_CF}, V_{CC_SD}	-0.5 V to 6.5 V
Input voltage range, V_I : I/O ports (SD, SA) (see Note 1)	-0.5 V to 4.6 V
I/O ports (D, A)	-0.5 V to 6.5 V
Input ports ($\overline{SCE1}, \overline{SCE2}, \overline{SIORD}, \overline{SIOWR}, \overline{SOE}, \overline{SREG}, \overline{SWE}$) ...	-0.5 V to 4.6 V
Input ports (BVD1, BVD2, READY, $\overline{INPACK}, \overline{WAIT}, WP$)	-0.5 V to 6.5 V
Control ports ($\overline{DIR}(\overline{S}/CF), \overline{MASTER_EN}, \overline{ENL}, \overline{ENH}$)	-0.5 V to 4.6 V
Voltage range applied to any output in the high-impedance or power-off state, V_O (see Note 1): System port	-0.5 V to 4.6 V
CF port	-0.5 V to 6.5 V
Voltage range applied to any output in the high or low state, V_O (see Notes 1 and 2): System port	-0.5 V to $V_{CC_S} + 0.5$ V
CF port	-0.5 V to $V_{CC_CF} + 0.5$ V
Input clamp current, I_{IK} ($V_I < 0$)	-50 mA
Output clamp current, I_{OK} ($V_O < 0$)	-50 mA
Continuous output current, I_O	± 50 mA
Continuous current through each $V_{CC_S}, V_{CC_CF}, V_{CC_SD}$, or GND	± 100 mA
Package thermal impedance, θ_{JA} (see Note 3)	36°C/W
Storage temperature range, T_{stg}	-65°C to 150°C

† Stresses beyond those listed under “absolute maximum ratings” may cause permanent damage to the device. These are stress ratings only, and functional operation of the device at these or any other conditions beyond those indicated under “recommended operating conditions” is not implied. Exposure to absolute-maximum-rated conditions for extended periods may affect device reliability.

- NOTES: 1. The input and output negative-voltage ratings may be exceeded if the input and output-current ratings are observed.
2. This value is limited to 6.5 V maximum.
3. The package thermal impedance is calculated in accordance with JESD 51-7.



SN74LV4320A

**LOW-POWER, DUAL-SUPPLY, LEVEL-TRANSLATING CompactFlash™ INTERFACE
WITH 16-BIT DATA, 11-BIT ADDRESS, AND 13-BIT CONTROL LINES**

SCES628A – APRIL 2005 – REVISED APRIL 2005

recommended operating conditions (see Notes 4 through 6)

			V _{CCI}	V _{CCO}	MIN	MAX	UNIT
V _{CC_SD}	Card-detect supply voltage				1.65	5.5	V
V _{CC_S}	System-side supply voltage				1.65	V _{CC_CF}	V
V _{CC_CF}	CF-side supply voltage				3	5.5	V
V _{IH}	High-level input voltage	Card-detect inputs (CD1, CD2,)	1.65 V to 5.5 V		V _{CC_SD} × 0.65		V
V _{IL}	Low-level input voltage	Card-detect inputs (CD1, CD2,)	1.65 V to 5.5 V		V _{CC_SD} × 0.35		V
V _{IH}	High-level input voltage	System port (SD, SA, SRESET)	1.65 V to 1.95 V		V _{CC_S} × 0.65		V
			1.95 V to 2.7 V		1.7		
			2.7 V to 3.6 V		2		
V _{IL}	Low-level input voltage	System port (SD, SA, SRESET)	1.65 V to 1.95 V		V _{CC_S} × 0.35		V
			1.95 V to 2.7 V		0.7		
			2.7 V to 3.6 V		0.8		
V _{IH}	High-level input voltage	Control inputs (DIR, MASTER_EN, ENL, ENH, BUF_EN)	1.65 V to 1.95 V		V _{CC_S} × 0.65		V
			1.95 V to 2.7 V		1.7		
			2.7 V to 3.6 V		2		
V _{IL}	Low-level input voltage	Control inputs (DIR, MASTER_EN, ENL, ENH, BUF_EN)	1.65 V to 1.95 V		V _{CC_S} × 0.35		V
			1.95 V to 2.7 V		0.7		
			2.7 V to 3.6 V		0.8		
V _{IH}	High-level input voltage	CF port (D, A)	3 V to 3.6 V		2		V
			4.5 V to 5.5 V		V _{CC_CF} × 0.7		
V _{IL}	Low-level input voltage	CF port (D, A)	3 V to 3.6 V		0.8		V
			4.5 V to 5.5 V		V _{CC_CF} × 0.3		
V _O	Output voltage	Card-detect output voltage			0	V _{CC_SD}	V
		System-side output voltage			0	V _{CC_S}	
		CF-side output voltage			0	V _{CC_CF}	
I _{OH}	High-level output current	Card detect	1.65 V to 1.95 V		-2		mA
			1.95 V to 2.7 V		-4		
			2.7 V to 3.6 V		-8		
			4.5 V to 5.5 V		-12		
I _{OL}	Low-level output current	Card detect	1.65 V to 1.95 V		2		mA
			1.95 V to 2.7 V		4		
			2.7 V to 3.6 V		8		
			4.5 V to 5.5 V		12		

- NOTES: 4. V_{CCI} is the V_{CC} associated with the data input port.
5. V_{CCO} is the V_{CC} associated with the output port.
6. All unused data inputs of the device must be held at V_{CCI} or GND to ensure proper device operation. Refer to the TI application report, *Implications of Slow or Floating CMOS Inputs*, literature number SCBA004.



SN74LV4320A**LOW-POWER, DUAL-SUPPLY, LEVEL-TRANSLATING CompactFlash™ INTERFACE WITH 16-BIT DATA, 11-BIT ADDRESS, AND 13-BIT CONTROL LINES**

SCES628A – APRIL 2005 – REVISED APRIL 2005

recommended operating conditions (see Notes 4 through 6) (continued)

		V _{CCI}	V _{CCO}	MIN	MAX	UNIT
I _{OH}	High-level output current	System port	1.65 V to 1.95 V		2	mA
			1.95 V to 2.7 V		6	
			2.7 V to 3.6 V		12	
I _{OL}	Low-level output current	System port	1.65 V to 1.95 V		2	mA
			1.95 V to 2.7 V		6	
			2.7 V to 3.6 V		12	
I _{OH}	High-level output current	CF port	3 V to 3.6 V		12	mA
			4.5 V to 5.5 V		16	
I _{OL}	Low-level output current	CF port	3 V to 3.6 V		12	mA
			4.5 V to 5.5 V		16	
Δt/Δv	Input transition rise or fall rate	1.65 V to 2.7 V			>20	ns/V
		2.7 V to 3.6 V			>20	
		4.5 V to 5.5 V			>20	
T _A	Operating free-air temperature			-40	85	°C

- NOTES: 4. V_{CCI} is the V_{CC} associated with the data input port.
5. V_{CCO} is the V_{CC} associated with the output port.
6. All unused data inputs of the device must be held at V_{CCI} or GND to ensure proper device operation. Refer to the TI application report, *Implications of Slow or Floating CMOS Inputs*, literature number SCBA004.

SN74LV4320A

**LOW-POWER, DUAL-SUPPLY, LEVEL-TRANSLATING CompactFlash™ INTERFACE
WITH 16-BIT DATA, 11-BIT ADDRESS, AND 13-BIT CONTROL LINES**

SCES628A – APRIL 2005 – REVISED APRIL 2005

electrical characteristics over recommended operating free-air temperature range (CF card-detect logic) (unless otherwise noted)

PARAMETER	TEST CONDITIONS		V _{CC_SD}	T _A = 25°C			-40°C to 85°C		UNIT
				MIN	TYP	MAX	MIN	MAX	
V _{OH}	I _{OH} = -100 μA	V _I = V _{IH}	1.65 V to 5.5 V	V _{CC_SD} -0.1			V _{CC_SD} -0.2		V
	I _{OH} = -2 mA		1.65 V	1.2		1.2			
	I _{OH} = -4 mA		2.3 V	2		2			
	I _{OH} = -6 mA		2.7 V	2.3		2.3			
	I _{OH} = -8 mA		3 V	2.4		2.4			
	I _{OH} = -12 mA		4.5 V	3.8		3.8			
V _{OL}	I _{OL} = 100 μA	V _I = V _{IL}	1.65 V to 5.5 V				0.1	0.2	V
	I _{OL} = 2 mA		1.65 V			0.2	0.2		
	I _{OL} = 4 mA		2.3 V			0.2	0.2		
	I _{OL} = 6 mA		2.7 V			0.3	0.3		
	I _{OL} = 8 mA		3 V			0.4	0.4		
	I _{OL} = 12 mA		4.5 V			0.5	0.5		
I _I	V _I = V _{CC_SD}	V _I = 0 V	1.65 V to 5.5 V				±0.5	±1	μA
	V _I = 0 V						-55	-60	
I _{off}	V _I or V _O = 0 to 5.5 V		0 V				55	60	μA
R _{INT}	$\overline{CD1} = \text{GND}, \overline{CD2} = \text{GND}$		1.65 V to 5.5 V	150 300			100	300	kΩ
I _{CC_SD}	$\overline{CD1}$ and $\overline{CD2} = V_{CC_SD}$	I _{O_SD} = 0	5.5 V	0.5			1		μA
	$\overline{CD1}$ or $\overline{CD2} = \text{GND},$ $\overline{CD2}$ or $\overline{CD1} = V_{CC_SD}$			10			10		
C _i	$\overline{CD1}$ or $\overline{CD2}$	V _I = V _{CC_SD} or GND	5.5 V	9					pF

SN74LV4320A

LOW-POWER, DUAL-SUPPLY, LEVEL-TRANSLATING CompactFlash™ INTERFACE WITH 16-BIT DATA, 11-BIT ADDRESS, AND 13-BIT CONTROL LINES

SCES628A – APRIL 2005 – REVISED APRIL 2005

electrical characteristics over recommended operating free-air temperature range (unless otherwise noted)

PARAMETER		TEST CONDITIONS		V _{CC_S}	V _{CC_CF}	T _A = 25°C			-40°C to 85°C		UNIT
						MIN	TYP	MAX	MIN	MAX	
V _{T+}	<u>SOE</u> , <u>SCE1</u> , <u>SCE2</u> , <u>SIORD</u> , <u>SIOWR</u> , <u>SWE</u> , <u>SREG</u>			1.65 V	3 V to 5.5 V	0.95			0.6	1.4	V
				2.3 V		1.32			0.9	1.8	
				2.7 V		1.49			1	2	
				3 V		1.67			1.2	2.2	
V _{T-}	<u>SOE</u> , <u>SCE1</u> , <u>SCE2</u> , <u>SIORD</u> , <u>SIOWR</u> , <u>SWE</u> , <u>SREG</u>			1.65 V	3 V to 5.5 V	0.66			0.19	0.8	V
				2.3 V		0.87			0.39	1.15	
				2.7 V		0.98			0.49	1.32	
				3 V		1.08			0.59	1.5	
ΔV _T	<u>SOE</u> , <u>SCE1</u> , <u>SCE2</u> , <u>SIORD</u> , <u>SIOWR</u> , <u>SWE</u> , <u>SREG</u>			1.65 V	3 V to 5.5 V	0.31			0.1	0.7	V
				2.3 V		0.46			0.25	0.7	
				2.7 V		0.52			0.3	0.9	
				3 V		0.61			0.4	0.9	
V _{T+}	<u>BVD1</u> , <u>BVD2</u> , <u>READY</u> , <u>INPACK</u> , <u>WAIT</u>			1.65 V to 3.6 V	3 V	1.67			1.3	2.2	V
				4.5 V	2.44			1.9	3.1		
V _{T-}	<u>BVD1</u> , <u>BVD2</u> , <u>READY</u> , <u>INPACK</u> , <u>WAIT</u> , <u>WP</u>			1.65 V to 3.6 V	3 V	1.11			0.6	1.5	V
				4.5 V	1.43			1	2		
ΔV _T	<u>BVD1</u> , <u>BVD2</u> , <u>READY</u> , <u>INPACK</u> , <u>WAIT</u>			1.65 V to 3.6 V	3 V	0.58			0.35	1	V
				4.5 V	1.02			0.6	1.5		
V _{T+}	<u>BUF_EN</u> , <u>ENH</u> , <u>ENL</u> , <u>MASTER_EN</u>			1.65 V	3 V to 5.5 V	1			0.6	1.4	V
				2.3 V		1.37			1.1	1.8	
				2.7 V		1.54			1.1	2	
				3 V		1.72			1.3	2.2	
V _{T-}	<u>BUF_EN</u> , <u>ENH</u> , <u>ENL</u> , <u>MASTER_EN</u>			1.65 V	3 V to 5.5 V	0.34			0.15	1	V
				2.3 V		0.63			0.15	1.2	
				2.7 V		0.75			0.2	1.32	
				3 V		0.88			0.4	1.5	
ΔV _T	<u>BUF_EN</u> , <u>ENH</u> , <u>ENL</u> , <u>MASTER_EN</u>			1.65 V	3 V to 5.5 V	0.67			0.08	1.1	V
				2.3 V		0.76			0.2	1.2	
				2.7 V		0.8			0.26	1.3	
				3 V		0.86			0.3	1.4	
V _{OH_S}		_{OH} = -100 μA _{OH} = -2 mA _{OH} = -4 mA _{OH} = -6 mA _{OH} = -12 mA	V _I = V _{IH}	1.65 V to 3.6 V	3 V to 5.5 V	V _{CC_S} -0.1 V			V _{CC_S} -0.2 V		V
				1.65 V		1.2			1.2		
				2.3 V		2			2		
				2.7 V		2.3			2.3		
				3 V		2.4			2.4		
V _{OL_S}		_{OL} = 100 μA _{OL} = 2 mA _{OL} = 4 mA _{OL} = 6 mA _{OL} = 12 mA	V _I = V _{IL}	1.65 V to 3.6 V	3 V to 5.5 V	0.1			0.2		V
				1.65 V		0.2			0.2		
				2.3 V		0.2			0.2		
				2.7 V		0.3			0.3		
				3 V		0.5			0.5		



SN74LV4320A

**LOW-POWER, DUAL-SUPPLY, LEVEL-TRANSLATING CompactFlash™ INTERFACE
WITH 16-BIT DATA, 11-BIT ADDRESS, AND 13-BIT CONTROL LINES**

SCES628A – APRIL 2005 – REVISED APRIL 2005

electrical characteristics over recommended operating free-air temperature range (unless otherwise noted)(see Notes 4 and 5) (continued)

PARAMETER		TEST CONDITIONS		VCC_S	VCC_CF	TA = 25°C			-40°C to 85°C		UNIT	
						MIN	TYP	MAX	MIN	MAX		
VOH_CF		I _{OH} = -100 μA	V _I = V _{IH}	1.65 V to 3.6 V	3 V to 5.5 V	VCC_CF -0.1 V		VCC_CF -0.2 V		V		
		I _{OH} = 12 mA			3 V	2.4	2.4					
		I _{OH} = 16 mA			5.5 V	3.8	3.8					
VOL_CF		I _{OL} = 100 μA	V _I = V _{IL}	1.65 V to 3.6 V	3 V to 5.5 V			0.1	0.2	V		
		I _{OL} = 12 mA			3 V		0.5	0.5				
		I _{OL} = 16 mA			5.5 V		0.5	0.5				
I _I	Inputs without pullup resistor	V _I = GND to VCC _I (see Note 7)		1.65 V to 3.6 V	3.6 V to 5.5 V			±0.5	±1	μA		
		V _I = VCC _I (see Note 7)			3 V to 5.5 V			±0.5	±1			
	Inputs with pullup resistor	V _I = 0 V						55	60			
I _{off}	S port	V _I or V _O = 0 to 5.5 V		0 V	0 to 5.5 V			±0.5	±1	μA		
	CF port			0 to 3.6 V	0 V			±0.5	±1			
I _{OZ} †	S or CF output ports	V _O = VCC _O or GND, V _I = VCC _I or GND	MASTER_EN = V _{IH}	3.6 V	5.5 V			±0.5	±1	μA		
	CF outputs		MASTER_EN = don't care		0 V			±0.5	±1			
I _{CC_S}	Inputs SD15-SD00, SA10-SA00, SCE1, SCE2, SIORD, SIOWR, SOE, SREG, SWE)	V _I = VCC_S or GND	I _O = 0, ENL = VCC_S, ENH = VCC_S, BUF_EN = VCC_S, DIR(S/CF) = VCC_S	1.65 V to 3.6 V	3.6 V to 5.5 V			1.5	3	μA		
	Control inputs (ENL, ENH, BUF_EN)	ENL = ENH = BUF_EN = VCC_S	I _O = 0, DIR(S/CF) = VCC_S, All other inputs = VCC_S or GND								1.5	3
		One of ENL, ENH, BUF_EN = GND, Others = VCC_S									36	36

† For I/O ports, the parameter I_{OZ} includes the input leakage current.

NOTES: 4. VCC_I is the VCC associated with the data input port.

5. VCC_O is the VCC associated with the output port.

7. VCC_I = VCC_S for DIR(S/CF), ENL, ENH, SD15-SD00, SA10-SA00, MASTER_EN, SRESET, SCE1, SCE2, SIORD, SIOWR, SOE, SREG, SWE, BUF_EN

VCC_I = VCC_CF for D15-D00, BVD1, BVD2, INPACK, READY, WAIT, WP

SN74LV4320A

LOW-POWER, DUAL-SUPPLY, LEVEL-TRANSLATING CompactFlash™ INTERFACE WITH 16-BIT DATA, 11-BIT ADDRESS, AND 13-BIT CONTROL LINES

SCES628A – APRIL 2005 – REVISED APRIL 2005

electrical characteristics over recommended operating free-air temperature range (unless otherwise noted) (continued)

PARAMETER		TEST CONDITIONS		V _{CC_S}	V _{CC_CF}	T _A = 25°C			-40°C to 85°C		UNIT
						MIN	TYP	MAX	MIN	MAX	
I _{CC_CF}	Input (D15–D00)	V _I = V _{CC_CF} or GND	I _O = 0, DIR(\overline{S}/CF) = GND, BVD1, BVD2, \overline{INPACK} , \overline{READY} , \overline{WAIT} , WP = V _{CC_CF}	1.65 V to 3.6 V	3 V to 5.5 V			1.5		3	
	Inputs (BVD1, BVD2, \overline{INPACK} , \overline{READY} , \overline{WAIT} , WP)	BVD1 = BVD2 = \overline{INPACK} = \overline{READY} \overline{WAIT} = WP = V _{CC_CF}	I _O = 0, DIR(\overline{S}/CF) = GND, D15–D00 = V _{CC_CF} or GND	1.65 V to 3.6 V	3 V to 5.5 V			1.5		3	μA
		One of BVD1, BVD2, \overline{INPACK} , \overline{READY} , \overline{WAIT} , WP = GND. All others = V _{CC_CF}	I _O = 0, DIR(\overline{S}/CF) = GND, D15–D00 = V _{CC_CF} or GND	1.65 V to 3.6 V	3 V to 5.5 V			60		60	
R _{INT}				1.65 V to 3.6 V	3 V to 5.5 V		150	300		300	kΩ
C _i	Control inputs	V _I = 3.3 V or GND		3.3 V	3.3 V	3					pF
	S _{Axx} , \overline{SOE} , $\overline{SCE1}$, $\overline{SCE2}$, \overline{SIORD} , \overline{SIOWR} , \overline{SREG} , \overline{SWE}					3					
	A _{xx} , BVD1, BVD2, \overline{READY} , \overline{INPACK} , \overline{WAIT} , WP					9					
C _{io}	S I/O ports	V _O = 3.3 V or GND		3.3 V	3.3 V	7					pF
	CF I/O ports					12					



SN74LV4320A

**LOW-POWER, DUAL-SUPPLY, LEVEL-TRANSLATING CompactFlash™ INTERFACE
WITH 16-BIT DATA, 11-BIT ADDRESS, AND 13-BIT CONTROL LINES**

SCES628A – APRIL 2005 – REVISED APRIL 2005

switching characteristics over recommended operating free-air temperature range ($\overline{CD1}$, $\overline{CD2}$) (see Figure 1)

PARAMETER	FROM (INPUT)	TO (OUTPUT)	TEST CONDITIONS	V _{CC_SD}	T _A = 25°C			–40°C to 85°C		UNIT
					MIN	TYP	MAX	MIN	MAX	
t _{pd}	$\overline{CD1}$ or $\overline{CD2}$	\overline{SCD}		1.8 V ± 0.15 V	3.1	7.1	13.5	1.8	15.5	ns
				2.5 V ± 0.2 V	2.7	4.6	7.1	1.6	9.1	
				2.7 V	2.4	4	5.7	1.6	9.1	
				3.3 V ± 0.3 V	2	3.4	5.1	1.2	6.8	
				5 V ± 0.5 V	1.7	2.6	3.6	1	5.5	

switching characteristics over recommended operating free-air temperature range ($\overline{BVD1}$, $\overline{BVD2}$, \overline{INPACK} , \overline{READY} , \overline{WAIT} , \overline{WP}) (see Figure 1)

PARAMETER	FROM (INPUT)	TO (OUTPUT)	TEST CONDITIONS	V _{CC_S}	V _{CC_CF}	T _A = 25°C			–40°C to 85°C		UNIT
						MIN	TYP	MAX	MIN	MAX	
t _{pd}	CF input	S output	$\overline{MASTER_EN} = \overline{BUF_EN} = V_{IL}$	1.8 V ± 0.15 V	3.3 V ± 0.3 V	3.1	6	10.2	2.4	12.9	ns
				1.8 V ± 0.15 V	5 V ± 0.5 V	2.9	5.6	9.6	2.2	13.9	
				2.5 V ± 0.2 V	3.3 V ± 0.3 V	2.7	4.6	6.5	1.9	10	
				2.5 V ± 0.2 V	5 V ± 0.5 V	2.5	4.2	5.8	1.7	8.6	
				3.3 V ± 0.3 V	3.3 V ± 0.3 V	2.5	4	5.6	1.6	8.8	
t _{en}	$\overline{MASTER_EN}$	S output	$\overline{BUF_EN} = V_{IL}$	1.8 V ± 0.15 V	3.3 V ± 0.3 V	11.1	18.9	30.7	9.2	35.5	ns
				1.8 V ± 0.15 V	5 V ± 0.5 V	11.1	19.3	30.9	8	35.6	
				2.5 V ± 0.2 V	3.3 V ± 0.3 V	9.9	12.9	17.4	6.9	22.6	
				2.5 V ± 0.2 V	5 V ± 0.5 V	9.9	13.1	17.4	7	22.6	
				3.3 V ± 0.3 V	3.3 V ± 0.3 V	9.5	11.2	13.4	6.3	18.3	
t _{dis}	$\overline{MASTER_EN}$	S output	$\overline{BUF_EN} = V_{IL}$	1.8 V ± 0.15 V	3.3 V ± 0.3 V	6.8	13.7	23.9	6	25.1	ns
				1.8 V ± 0.15 V	5 V ± 0.5 V	6.1	13.4	22	5.4	23.3	
				2.5 V ± 0.2 V	3.3 V ± 0.3 V	4.9	8.6	13.3	4	14.5	
				2.5 V ± 0.2 V	5 V ± 0.5 V	4.6	8.5	13.6	3.9	14.5	
				3.3 V ± 0.3 V	3.3 V ± 0.3 V	5	8.1	12.2	4.2	13.2	
t _{en}	$\overline{BUF_EN}$	S output	$\overline{MASTER_EN} = V_{IL}$	1.8 V ± 0.15 V	3.3 V ± 0.3 V	8.7	17.7	33.2	7.6	35.5	ns
				1.8 V ± 0.15 V	5 V ± 0.5 V	10.7	18.3	29.3	8.7	35.6	
				2.5 V ± 0.2 V	3.3 V ± 0.3 V	9.6	12.4	16.6	6.6	22.6	
				2.5 V ± 0.2 V	5 V ± 0.5 V	9.6	12.6	16.7	6.6	22.6	
				3.3 V ± 0.3 V	3.3 V ± 0.3 V	9.2	10.9	13	6.1	18.3	
t _{dis}	$\overline{BUF_EN}$	S output	$\overline{MASTER_EN} = V_{IL}$	1.8 V ± 0.15 V	3.3 V ± 0.3 V	6.9	12.9	22.3	5.9	24.2	ns
				1.8 V ± 0.15 V	5 V ± 0.5 V	5.4	12.4	20.5	4.8	22.8	
				2.5 V ± 0.2 V	3.3 V ± 0.3 V	4.4	8	12.7	3.6	14.5	
				2.5 V ± 0.2 V	5 V ± 0.5 V	4.2	7.9	12.8	3.6	14.2	
				3.3 V ± 0.3 V	3.3 V ± 0.3 V	4.6	7.7	11.7	3.8	12.3	
				3.3 V ± 0.3 V	5 V ± 0.5 V	4.1	7.6	11.7	3.3	12.4	



SN74LV4320A

LOW-POWER, DUAL-SUPPLY, LEVEL-TRANSLATING CompactFlash™ INTERFACE WITH 16-BIT DATA, 11-BIT ADDRESS, AND 13-BIT CONTROL LINES

SCES628A – APRIL 2005 – REVISED APRIL 2005

switching characteristics over recommended operating free-air temperature range (data bus I/Os) (see Figure 1)

PARAMETER	FROM (INPUT)	TO (OUTPUT)	TEST CONDITIONS	V _{CC_S}	V _{CC_CF}	T _A = 25°C			-40°C to 85°C		UNIT
						MIN	TYP	MAX	MIN	MAX	
t _{pd}	D	SD	$\overline{\text{MASTER_EN}} = \overline{\text{ENL}} = \overline{\text{ENH}} = V_{\text{IL}}$	1.8 V ± 0.15 V	3.3 V ± 0.3 V	4.2	7.2	11.8	3	13.7	ns
					5 V ± 0.5 V	3.7	6.4	10.7	2.7	13.9	
				2.5 V ± 0.2 V	3.3 V ± 0.3 V	3.8	5.7	8	2.4	10	
					5 V ± 0.5 V	3.3	4.9	6.8	2.1	12.4	
				3.3 V ± 0.3 V	3.3 V ± 0.3 V	3.5	5.1	6.9	2.2	8.8	
					5 V ± 0.5 V	3	4.3	5.7	1.8	7	
	SD	D		1.8 V ± 0.15 V	3.3 V ± 0.3 V	3.4	5.7	9.8	2.6	11.1	
					5 V ± 0.5 V	3.1	5.4	9.6	2.4	9.6	
				2.5 V ± 0.2 V	3.3 V ± 0.3 V	2.8	4.3	6.2	1.9	8.2	
					5 V ± 0.5 V	2.6	3.8	5.4	1.7	7	
				3.3 V ± 0.3 V	3.3 V ± 0.3 V	2.5	3.7	5.2	1.5	7.2	
					5 V ± 0.5 V	2.2	3.3	4.5	1.4	6	
t _{en}	$\overline{\text{MASTER_EN}}$	D	$\overline{\text{ENL}} = \overline{\text{ENH}} = V_{\text{IL}}$	1.8 V ± 0.15 V	3.3 V ± 0.3 V	13.7	18.2	24.4	9.4	27.9	ns
					5.5 V ± 0.5 V	13.7	17.9	29.9	8	31	
				2.5 V ± 0.2 V	3.3 V ± 0.3 V	12.3	15.1	18.8	7.9	23	
					5.5 V ± 0.5 V	12.3	14.8	17.6	8	21.8	
				3.3 V ± 0.3 V	3.3 V ± 0.3 V	11.6	14	17.1	7.3	21.4	
					5.5 V ± 0.5 V	11.6	13.7	15.9	7.4	20.3	
	SD	D		1.8 V ± 0.15 V	3.3 V ± 0.3 V	11.6	19.6	31.8	9.4	36.3	
					5.5 V ± 0.5 V	11.7	20.1	32	9.5	36.2	
				2.5 V ± 0.2 V	3.3 V ± 0.3 V	10.3	13.4	18	7.2	22.6	
					5.5 V ± 0.5 V	10.3	13.6	18.1	7.1	22.6	
				3.3 V ± 0.3 V	3.3 V ± 0.3 V	9.8	11.6	14	6.4	18.3	
					5.5 V ± 0.5 V	9.8	11.7	14	6.4	18.2	
t _{dis}	$\overline{\text{MASTER_EN}}$	D	$\overline{\text{ENL}} = \overline{\text{ENH}} = V_{\text{IL}}$	1.8 V ± 0.15 V	3.3 V ± 0.3 V	8.6	12.8	18.1	7.3	20.2	ns
					5.5 V ± 0.5 V	7.6	11.5	16.4	6.3	17.8	
				2.5 V ± 0.2 V	3.3 V ± 0.3 V	7.8	10.8	14.7	6.4	16.4	
					5.5 V ± 0.5 V	6.7	9.4	12.6	5.4	13.8	
				3.3 V ± 0.3 V	3.3 V ± 0.3 V	7.2	9.9	13.4	5.9	15	
					5.5 V ± 0.5 V	6.1	8.6	11.4	4.8	12.5	
	SD	D		1.8 V ± 0.15 V	3.3 V ± 0.3 V	6.9	12.9	21.7	6	24.2	
					5.5 V ± 0.5 V	6.1	12.6	20.8	5.3	22.8	
				2.5 V ± 0.2 V	3.3 V ± 0.3 V	4.9	7.9	11.8	4.1	14.5	
					5.5 V ± 0.5 V	4.7	7.8	11.7	3.9	14.2	
				3.3 V ± 0.3 V	3.3 V ± 0.3 V	5	7.1	9.8	4	12	
					5.5 V ± 0.5 V	4.7	7	9.8	3.8	18.2	



SN74LV4320A

**LOW-POWER, DUAL-SUPPLY, LEVEL-TRANSLATING CompactFlash™ INTERFACE
WITH 16-BIT DATA, 11-BIT ADDRESS, AND 13-BIT CONTROL LINES**

SCES628A – APRIL 2005 – REVISED APRIL 2005

switching characteristics over recommended operating free-air temperature range (data bus I/Os)
(see Figure 1) (continued)

PARAMETER	FROM (INPUT)	TO (OUTPUT)	TEST CONDITIONS	V _{CC_S}	V _{CC_CF}	T _A = 25°C			–40°C to 85°C		UNIT
						MIN	TYP	MAX	MIN	MAX	
t _{en}	$\overline{\text{ENL}}$ or $\overline{\text{ENH}}$	D	$\overline{\text{MASTER_EN}}$ = V _{IL}	1.8 V ± 0.15 V	3.3 V ± 0.3 V	9.4	17.6	23.4	8.3	27.2	ns
					5.5 V ± 0.5 V	13.5	17.4	22.6	7.7	27.8	
				2.5 V ± 0.2 V	3.3 V ± 0.3 V	12.3	15	18.5	7.9	22.8	
					5.5 V ± 0.5 V	12.3	14.7	17.4	8	21.6	
				3.3 V ± 0.3 V	3.3 V ± 0.3 V	11.7	14.1	17	7.3	21.4	
					5.5 V ± 0.5 V	11.6	13.7	16	7.4	20.3	
		SD		1.8 V ± 0.15 V	3.3 V ± 0.3 V	9.5	18.7	30.5	9.1	35.5	
					5.5 V ± 0.5 V	9.6	19.1	30.5	9.1	35.6	
				2.5 V ± 0.2 V	3.3 V ± 0.3 V	10	13	17.4	6.8	22.6	
					5.5 V ± 0.5 V	10	13.2	17.4	6.8	22.6	
				3.3 V ± 0.3 V	3.3 V ± 0.3 V	9.6	11.3	13.6	6.2	18.3	
					5.5 V ± 0.5 V	9.6	11.4	13.6	6.3	18.2	
t _{dis}	$\overline{\text{ENL}}$ or $\overline{\text{ENH}}$	D	$\overline{\text{MASTER_EN}}$ = V _{IL}	1.8 V ± 0.15 V	3.3 V ± 0.3 V	8.5	12.1	16.8	7.2	20.2	ns
					5.5 V ± 0.5 V	7.7	10.8	15	6.3	16.6	
				2.5 V ± 0.2 V	3.3 V ± 0.3 V	7.6	10.4	13.8	6.2	16.4	
					5.5 V ± 0.5 V	6.9	9.1	11.9	5.4	13.1	
				3.3 V ± 0.3 V	3.3 V ± 0.3 V	7.3	9.7	12.9	5.9	15	
					5.5 V ± 0.5 V	6.5	8.4	11	5.2	12	
		SD		1.8 V ± 0.15 V	3.3 V ± 0.3 V	6.5	12	20	5.7	24.2	
					5.5 V ± 0.5 V	5.7	11.8	19	5	22.8	
				2.5 V ± 0.2 V	3.3 V ± 0.3 V	4.6	7.4	11.1	3.8	14.5	
					5.5 V ± 0.5 V	4.4	7.3	11.1	3.7	14.2	
				3.3 V ± 0.3 V	3.3 V ± 0.3 V	4.9	6.8	9.3	4	12	
					5.5 V ± 0.5 V	4.3	6.7	9.2	3.5	18.2	

SN74LV4320A

LOW-POWER, DUAL-SUPPLY, LEVEL-TRANSLATING CompactFlash™ INTERFACE WITH 16-BIT DATA, 11-BIT ADDRESS, AND 13-BIT CONTROL LINES

SCES628A – APRIL 2005 – REVISED APRIL 2005

switching characteristics over recommended operating free-air temperature range (SA10–SA00, SCE1, SCE2, SIORD, SIOWR, SOE, SREG, SWE) (see Figure 1)

PARAMETER	FROM (INPUT)	TO (OUTPUT)	TEST CONDITIONS	V _{CC_S}	V _{CC_CF}	T _A = 25°C			–40°C to 85°C		UNIT
						MIN	TYP	MAX	MIN	MAX	
t _{pd}	S input	CF output (control)	$\overline{\text{MASTER_EN}} = \overline{\text{BUF_EN}} = V_{IL}$	1.8 V ± 0.15 V	3.3 V ± 0.3 V	3.4	6.1	9.8	2.5	10.4	ns
				1.8 V ± 0.15 V	5 V ± 0.5 V	3	5.8	9.7	2.4	10.2	
				2.5 V ± 0.2 V	3.3 V ± 0.3 V	2.6	4.5	6.7	1.8	8.4	
				2.5 V ± 0.2 V	5 V ± 0.5 V	2.4	4.1	6	1.7	6.8	
				3.3 V ± 0.3 V	3.3 V ± 0.3 V	2.2	3.9	5.8	1.4	7	
				3.3 V ± 0.3 V	5 V ± 0.5 V	2	3.5	5	1.3	5.8	
		CF output (A pins)	$\overline{\text{MASTER_EN}} = \overline{\text{BUF_EN}} = V_{IL}$	1.8 V ± 0.15 V	3.3 V ± 0.3 V	3.4	5.7	8.7	2.8	10.3	
				1.8 V ± 0.15 V	5 V ± 0.5 V	3.3	5.4	8.2	2.8	9.7	
				2.5 V ± 0.2 V	3.3 V ± 0.3 V	2.9	4.3	6.2	1.9	8.4	
				2.5 V ± 0.2 V	5 V ± 0.5 V	2.7	3.9	5.4	1.9	6.8	
				3.3 V ± 0.3 V	3.3 V ± 0.3 V	2.6	3.7	5.2	1.7	7	
				3.3 V ± 0.3 V	5 V ± 0.5 V	2.3	3.3	4.4	1.5	5.8	
t _{en}	$\overline{\text{MASTER_EN}}$	CF output (control)	$\overline{\text{BUF_EN}} = V_{IL}$	1.8 V ± 0.15 V	3.3 V ± 0.3 V	10.8	17.9	24.8	7.9	29.7	ns
				1.8 V ± 0.15 V	5 V ± 0.5 V	10.8	17.5	26.2	8.1	30.2	
				2.5 V ± 0.2 V	3.3 V ± 0.3 V	9.4	14.2	19.4	6.4	23.3	
				2.5 V ± 0.2 V	5 V ± 0.5 V	9.4	14.1	19.3	6.6	23.1	
				3.3 V ± 0.3 V	3.3 V ± 0.3 V	8.7	13.1	17.8	5.8	21.4	
t _{dis}	$\overline{\text{MASTER_EN}}$	CF output (control)	$\overline{\text{BUF_EN}} = V_{IL}$	1.8 V ± 0.15 V	3.3 V ± 0.3 V	7.3	13.8	22.5	6.2	25.8	ns
				1.8 V ± 0.15 V	5 V ± 0.5 V	6.8	12.1	19.7	5.9	26.3	
				2.5 V ± 0.2 V	3.3 V ± 0.3 V	6.1	11.8	19.2	4.9	20.2	
				2.5 V ± 0.2 V	5 V ± 0.5 V	5.9	10	16.3	4.6	19.8	
				3.3 V ± 0.3 V	3.3 V ± 0.3 V	5.6	11	18.3	4.6	19.1	
				3.3 V ± 0.3 V	5 V ± 0.5 V	5.4	9.2	15.5	3.9	18	
t _{en}	$\overline{\text{BUF_EN}}$	CF output (A pins)	$\overline{\text{MASTER_EN}} = V_{IL}$	1.8 V ± 0.15 V	3.3 V ± 0.3 V	12.9	17.5	23.7	7.7	29.7	ns
				1.8 V ± 0.15 V	5 V ± 0.5 V	13.3	17.8	24.4	9.4	30.2	
				2.5 V ± 0.2 V	3.3 V ± 0.3 V	11.7	14.4	17.9	7.5	23.3	
				2.5 V ± 0.2 V	5 V ± 0.5 V	11.8	14.3	17.1	7.7	23.1	
				3.3 V ± 0.3 V	3.3 V ± 0.3 V	11	13.3	16.2	6.9	21.4	
				3.3 V ± 0.3 V	5 V ± 0.5 V	11.1	13.2	15.3	6.5	21.2	
t _{dis}	$\overline{\text{BUF_EN}}$	CF output (A pins)	$\overline{\text{MASTER_EN}} = V_{IL}$	1.8 V ± 0.15 V	3.3 V ± 0.3 V	8.9	13.6	19.7	7.5	25.8	ns
				1.8 V ± 0.15 V	5 V ± 0.5 V	7.6	11.8	17.1	6.6	26.3	
				2.5 V ± 0.2 V	3.3 V ± 0.3 V	8	11.6	16	6.6	20.1	
				2.5 V ± 0.2 V	5 V ± 0.5 V	6.7	9.7	13.2	5	19.8	
				3.3 V ± 0.3 V	3.3 V ± 0.3 V	7.7	10.6	14.7	6	18.2	
				3.3 V ± 0.3 V	5 V ± 0.5 V	6.1	8.9	11.9	4.9	18	



SN74LV4320A

**LOW-POWER, DUAL-SUPPLY, LEVEL-TRANSLATING CompactFlash™ INTERFACE
WITH 16-BIT DATA, 11-BIT ADDRESS, AND 13-BIT CONTROL LINES**

SCES628A – APRIL 2005 – REVISED APRIL 2005

switching characteristics over recommended operating free-air temperature range
(SA10–SA00, SCE1, SCE2, SIORD, SIOWR, SOE, SREG, SWE) (see Figure 1) (continued)

PARAMETER	FROM (INPUT)	TO (OUTPUT)	TEST CONDITIONS	V _{CC_S}	V _{CC_CF}	T _A = 25°C			–40°C to 85°C		UNIT
						MIN	TYP	MAX	MIN	MAX	
t _{en}	$\overline{\text{BUF_EN}}$	CF output (A pins)	$\overline{\text{MASTER_EN}}$ = V _{IL}	1.8 V ± 0.15 V	3.3 V ± 0.3 V	12.3	16.4	21.9	7.7	27.2	ns
				1.8 V ± 0.15 V	5 V ± 0.5 V	12.6	16.7	22.6	8.6	29.1	
				2.5 V ± 0.2 V	3.3 V ± 0.3 V	11.2	13.8	17	7.1	21.7	
				2.5 V ± 0.2 V	5 V ± 0.5 V	11.4	13.7	16.3	7.3	21.5	
				3.3 V ± 0.3 V	3.3 V ± 0.3 V	10.7	12.9	15.6	6.7	19.5	
				3.3 V ± 0.3 V	5 V ± 0.5 V	10.8	12.8	14.8	6.5	19.6	
t _{dis}	$\overline{\text{BUF_EN}}$	CF output (A pins)	$\overline{\text{MASTER_EN}}$ = V _{IL}	1.8 V ± 0.15 V	3.3 V ± 0.3 V	8.4	13.9	21.2	7.2	23.2	ns
				1.8 V ± 0.15 V	5 V ± 0.5 V	7.6	12.3	18.5	6.6	23.7	
				2.5 V ± 0.2 V	3.3 V ± 0.3 V	7.7	12.3	18.2	6.4	19.8	
				2.5 V ± 0.2 V	5 V ± 0.5 V	6.7	10.6	15.3	5	18.4	
				3.3 V ± 0.3 V	3.3 V ± 0.3 V	7.2	11.5	16.4	5.9	18	
				3.3 V ± 0.3 V	5 V ± 0.5 V	6.4	10	14.3	4.9	17	
t _{en}	$\overline{\text{BUF_EN}}$	CF output	$\overline{\text{MASTER_EN}}$ = V _{IL}	1.8 V ± 0.15 V	3.3 V ± 0.3 V	12.5	16.6	22.3	8.7	27.2	ns
				1.8 V ± 0.15 V	5 V ± 0.5 V	12.8	17	23.1	8.8	29.1	
				2.5 V ± 0.2 V	3.3 V ± 0.3 V	11.4	14.1	17.5	7.3	21.7	
				2.5 V ± 0.2 V	5 V ± 0.5 V	11.6	14	16.9	7.4	21.5	
				3.3 V ± 0.3 V	3.3 V ± 0.3 V	10.9	13.2	16	6.8	20	
				3.3 V ± 0.3 V	5 V ± 0.5 V	11	13.1	15.3	6.5	19.6	
t _{dis}	$\overline{\text{BUF_EN}}$	CF output	$\overline{\text{MASTER_EN}}$ = V _{IL}	1.8 V ± 0.15 V	3.3 V ± 0.3 V	8.6	13.9	21.5	7.4	23.2	ns
				1.8 V ± 0.15 V	5 V ± 0.5 V	7.7	12.1	19.8	6.6	23.7	
				2.5 V ± 0.2 V	3.3 V ± 0.3 V	7.9	12.3	18.5	6.5	19.8	
				2.5 V ± 0.2 V	5 V ± 0.5 V	6.6	10.4	17.1	5	18.4	
				3.3 V ± 0.3 V	3.3 V ± 0.3 V	7.4	11.7	17.5	6.1	18.9	
				3.3 V ± 0.3 V	5 V ± 0.5 V	6.1	9.7	16.2	4.9	17	
t _{en}	$\overline{\text{MASTER_EN}}$	DIR_OUT	$\overline{\text{BUF_EN}} = V_{IL}$	1.8 V ± 0.15 V	3.3 V ± 0.3 V	6.1	14.2	29.6	4.9	32.8	ns
					5 V ± 0.5 V	6	14.2	30	4.9	33.2	
				2.5 V ± 0.2 V	3.3 V ± 0.3 V	4.8	8.8	15.4	3.4	19.3	
					5 V ± 0.5 V	4.8	8.8	15.5	3.4	19.3	
				3.3 V ± 0.3 V	3.3 V ± 0.3 V	4.2	6.9	11.1	2.7	14.4	
					5 V ± 0.5 V	4.2	6.9	11.1	2.6	14.4	
t _{dis}	$\overline{\text{MASTER_EN}}$	DIR_OUT	$\overline{\text{BUF_EN}} = V_{IL}$	1.8 V ± 0.15 V	3.3 V ± 0.3 V	5.4	10	16.6	4.2	32.6	ns
					5 V ± 0.5 V	5.4	9.9	16.1	4.8	32.6	
				2.5 V ± 0.2 V	3.3 V ± 0.3 V	3.9	6.5	10.5	1.5	19.3	
					5 V ± 0.5 V	3.9	6.6	10.4	1.7	19.3	
				3.3 V ± 0.3 V	3.3 V ± 0.3 V	4.4	6.7	10.3	1.4	14.4	
					5 V ± 0.5 V	4.3	6.7	10.1	1.5	14.4	
t _{pd}	$\overline{\text{SIORD}}$ or $\overline{\text{SOE}}$	DIR_OUT	$\overline{\text{BUF_EN}} = V_{IL}$	1.8 V ± 0.15 V	3.3 V ± 0.3 V	5	9.3	15.7	4	17.9	ns
					5 V ± 0.5 V	5	9.3	15.7	4	17.9	
				2.5 V ± 0.2 V	3.3 V ± 0.3 V	3.9	6	8.5	2.8	11	
					5 V ± 0.5 V	3.9	6	8.5	2.8	11	
				3.3 V ± 0.3 V	3.3 V ± 0.3 V	3.3	4.7	6.2	2.2	8.2	
					5 V ± 0.5 V	3.3	4.7	6.2	2.2	8.2	



SN74LV4320A

LOW-POWER, DUAL-SUPPLY, LEVEL-TRANSLATING CompactFlash™ INTERFACE WITH 16-BIT DATA, 11-BIT ADDRESS, AND 13-BIT CONTROL LINES

SCES628A – APRIL 2005 – REVISED APRIL 2005

switching characteristics over recommended operating free-air temperature range (SA10–SA00, SCE1, SCE2, SIORD, SIOWR, SOE, SREG, SWE) (see Figure 1) (continued)

PARAMETER	FROM (INPUT)	TO (OUTPUT)	TEST CONDITIONS	V _{CC_S}	V _{CC_CF}	T _A = 25°C			–40°C to 85°C		UNIT
						MIN	TYP	MAX	MIN	MAX	
t _{pd}	$\overline{\text{BUF_EN}}$	DIR_OUT	$\overline{\text{BUF_EN}} = V_{IL}$	1.8 V ± 0.15 V	3.3 V ± 0.3 V	8.9	19.5	35.9	7.1	39.2	ns
					5 V ± 0.5 V	8.9	19.5	35.8	7	39.3	
				2.5 V ± 0.2 V	3.3 V ± 0.3 V	6.8	11.9	19.1	5	22.8	
					5 V ± 0.5 V	6.8	11.9	19.2	4.9	22.8	
				3.3 V ± 0.3 V	3.3 V ± 0.3 V	5.8	9	13.3	4	15.8	
					5 V ± 0.5 V	5.8	9	13.3	3.9	15.9	

operating characteristics, V_{CCS} and V_{CC_CF} = 3.3 V, T_A = 25°C

PARAMETER		TEST CONDITIONS	TYP	UNIT
C _{pdS}	Power dissipation capacitance per transceiver, system-port input, CF-port output	Outputs enabled	1.93	pF
		Outputs disabled	0.04	
	Power dissipation capacitance per transceiver, CF-port input, system-port output	Outputs enabled	14.35	
		Outputs disabled	0.04	
C _{pdCF}	Power dissipation capacitance per transceiver, system-port input, CF-port output	Outputs enabled	22.85	pF
		Outputs disabled	0.04	
	Power dissipation capacitance per transceiver, CF-port input, system-port output	Outputs enabled	4.66	
		Outputs disabled	3.65	

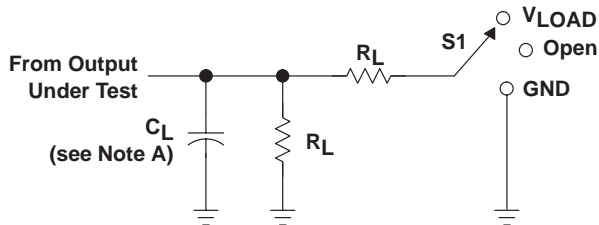


SN74LV4320A

**LOW-POWER, DUAL-SUPPLY, LEVEL-TRANSLATING CompactFlash™ INTERFACE
WITH 16-BIT DATA, 11-BIT ADDRESS, AND 13-BIT CONTROL LINES**

SCES628A – APRIL 2005 – REVISED APRIL 2005

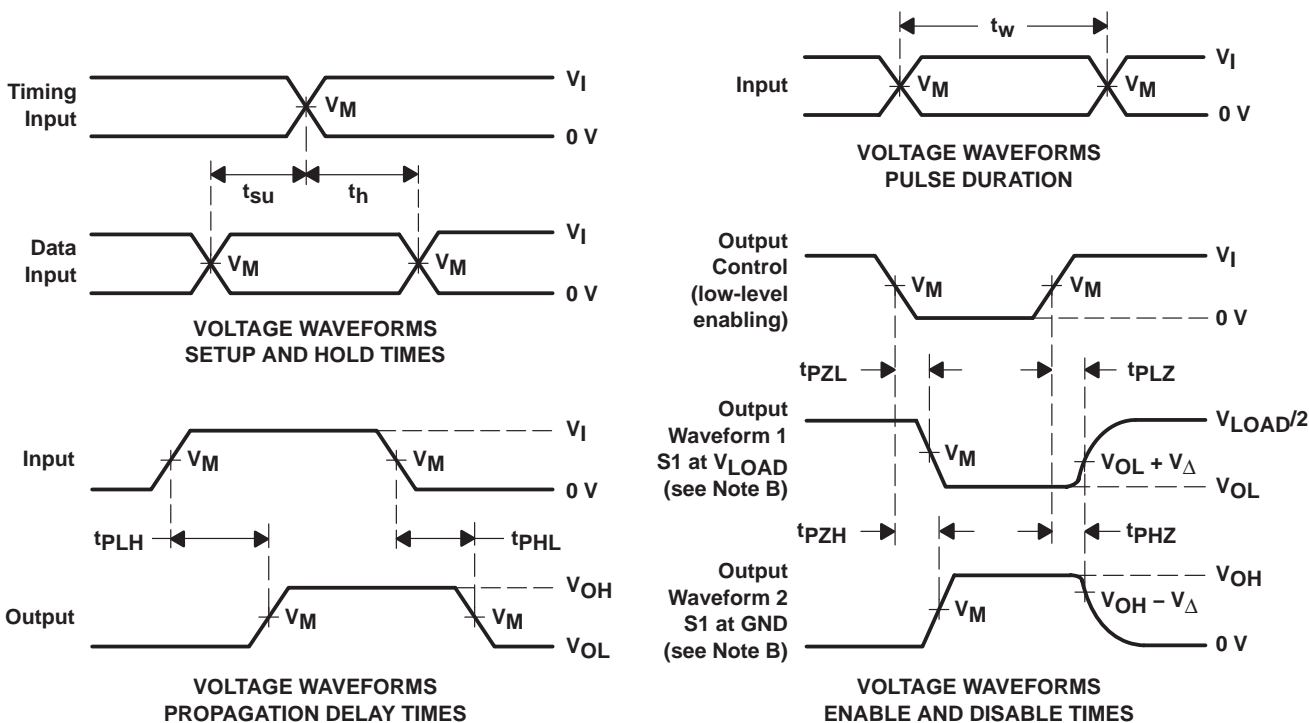
PARAMETER MEASUREMENT INFORMATION



TEST	S1
t_{pd} t_{PLZ}/t_{PZL} t_{PHZ}/t_{PHZ}	Open V_{LOAD} GND

LOAD CIRCUIT

V_{CC}	INPUT		V_M	V_{LOAD}	C_L	R_L	V_{Δ}
	V_I	t_r/t_f					
$1.8\text{ V} \pm 0.15\text{ V}$	V_{CC}	$\leq 2\text{ ns}$	$V_{CC}/2$	$2 \times V_{CC}$	15 pF	2 k Ω	0.15 V
$2.5 \pm 0.2\text{ V}$	V_{CC}	$\leq 2\text{ ns}$	$V_{CC}/2$	$2 \times V_{CC}$	15 pF	2 k Ω	0.15 V
2.7 V	2.7 V	$\leq 2.5\text{ ns}$	1.5 V	6 V	15 pF	2 k Ω	0.3 V
$3.3\text{ V} \pm 0.3\text{ V}$	2.7 V	$\leq 2.5\text{ ns}$	1.5 V	6 V	15 pF	2 k Ω	0.3 V
$5.5\text{ V} \pm 0.5\text{ V}$	2.7 V	$\leq 2.5\text{ ns}$	1.5 V	6 V	15 pF	2 k Ω	0.5 V



- NOTES:
- A. C_L includes probe and jig capacitance.
 - B. Waveform 1 is for an output with internal conditions such that the output is low, except when disabled by the output control. Waveform 2 is for an output with internal conditions such that the output is high, except when disabled by the output control.
 - C. All input pulses are supplied by generators having the following characteristics: PRR $\leq 10\text{ MHz}$, $Z_O = 50\ \Omega$.
 - D. The outputs are measured one at a time, with one transition per measurement.
 - E. t_{PLZ} and t_{PHZ} are the same as t_{dis} .
 - F. t_{PZL} and t_{PZH} are the same as t_{en} .
 - G. t_{PLH} and t_{PHL} are the same as t_{pd} .
 - H. All parameters and waveforms are not applicable to all devices.

Figure 1. Load Circuit and Voltage Waveforms



PACKAGING INFORMATION

Orderable Device	Status (1)	Package Type	Package Drawing	Pins	Package Qty	Eco Plan (2)	Lead/Ball Finish	MSL Peak Temp (3)	Op Temp (°C)	Top-Side Markings (4)	Samples
SN74LV4320AGKFR	NRND	BGA MICROSTAR	GKF	114	1000	TBD	SNPB	Level-2-235C-1 YEAR	-40 to 85	LW320A	
SN74LV4320AZKFR	ACTIVE	LFBGA	ZKF	114	1000	Green (RoHS & no Sb/Br)	SNAGCU	Level-3-260C-168 HR	-40 to 85	LW320A	Samples

(1) The marketing status values are defined as follows:

ACTIVE: Product device recommended for new designs.

LIFEBUY: TI has announced that the device will be discontinued, and a lifetime-buy period is in effect.

NRND: Not recommended for new designs. Device is in production to support existing customers, but TI does not recommend using this part in a new design.

PREVIEW: Device has been announced but is not in production. Samples may or may not be available.

OBSOLETE: TI has discontinued the production of the device.

(2) Eco Plan - The planned eco-friendly classification: Pb-Free (RoHS), Pb-Free (RoHS Exempt), or Green (RoHS & no Sb/Br) - please check <http://www.ti.com/productcontent> for the latest availability information and additional product content details.

TBD: The Pb-Free/Green conversion plan has not been defined.

Pb-Free (RoHS): TI's terms "Lead-Free" or "Pb-Free" mean semiconductor products that are compatible with the current RoHS requirements for all 6 substances, including the requirement that lead not exceed 0.1% by weight in homogeneous materials. Where designed to be soldered at high temperatures, TI Pb-Free products are suitable for use in specified lead-free processes.

Pb-Free (RoHS Exempt): This component has a RoHS exemption for either 1) lead-based flip-chip solder bumps used between the die and package, or 2) lead-based die adhesive used between the die and leadframe. The component is otherwise considered Pb-Free (RoHS compatible) as defined above.

Green (RoHS & no Sb/Br): TI defines "Green" to mean Pb-Free (RoHS compatible), and free of Bromine (Br) and Antimony (Sb) based flame retardants (Br or Sb do not exceed 0.1% by weight in homogeneous material)

(3) MSL, Peak Temp. -- The Moisture Sensitivity Level rating according to the JEDEC industry standard classifications, and peak solder temperature.

(4) Multiple Top-Side Markings will be inside parentheses. Only one Top-Side Marking contained in parentheses and separated by a "~" will appear on a device. If a line is indented then it is a continuation of the previous line and the two combined represent the entire Top-Side Marking for that device.

Important Information and Disclaimer: The information provided on this page represents TI's knowledge and belief as of the date that it is provided. TI bases its knowledge and belief on information provided by third parties, and makes no representation or warranty as to the accuracy of such information. Efforts are underway to better integrate information from third parties. TI has taken and continues to take reasonable steps to provide representative and accurate information but may not have conducted destructive testing or chemical analysis on incoming materials and chemicals. TI and TI suppliers consider certain information to be proprietary, and thus CAS numbers and other limited information may not be available for release.

In no event shall TI's liability arising out of such information exceed the total purchase price of the TI part(s) at issue in this document sold by TI to Customer on an annual basis.

TAPE AND REEL INFORMATION

QUADRANT ASSIGNMENTS FOR PIN 1 ORIENTATION IN TAPE


*All dimensions are nominal

Device	Package Type	Package Drawing	Pins	SPQ	Reel Diameter (mm)	Reel Width W1 (mm)	A0 (mm)	B0 (mm)	K0 (mm)	P1 (mm)	W (mm)	Pin1 Quadrant
SN74LV4320AGKFR	BGA MICROSTAR	GKF	114	1000	330.0	24.4	5.8	16.3	1.8	8.0	24.0	Q1

TAPE AND REEL BOX DIMENSIONS

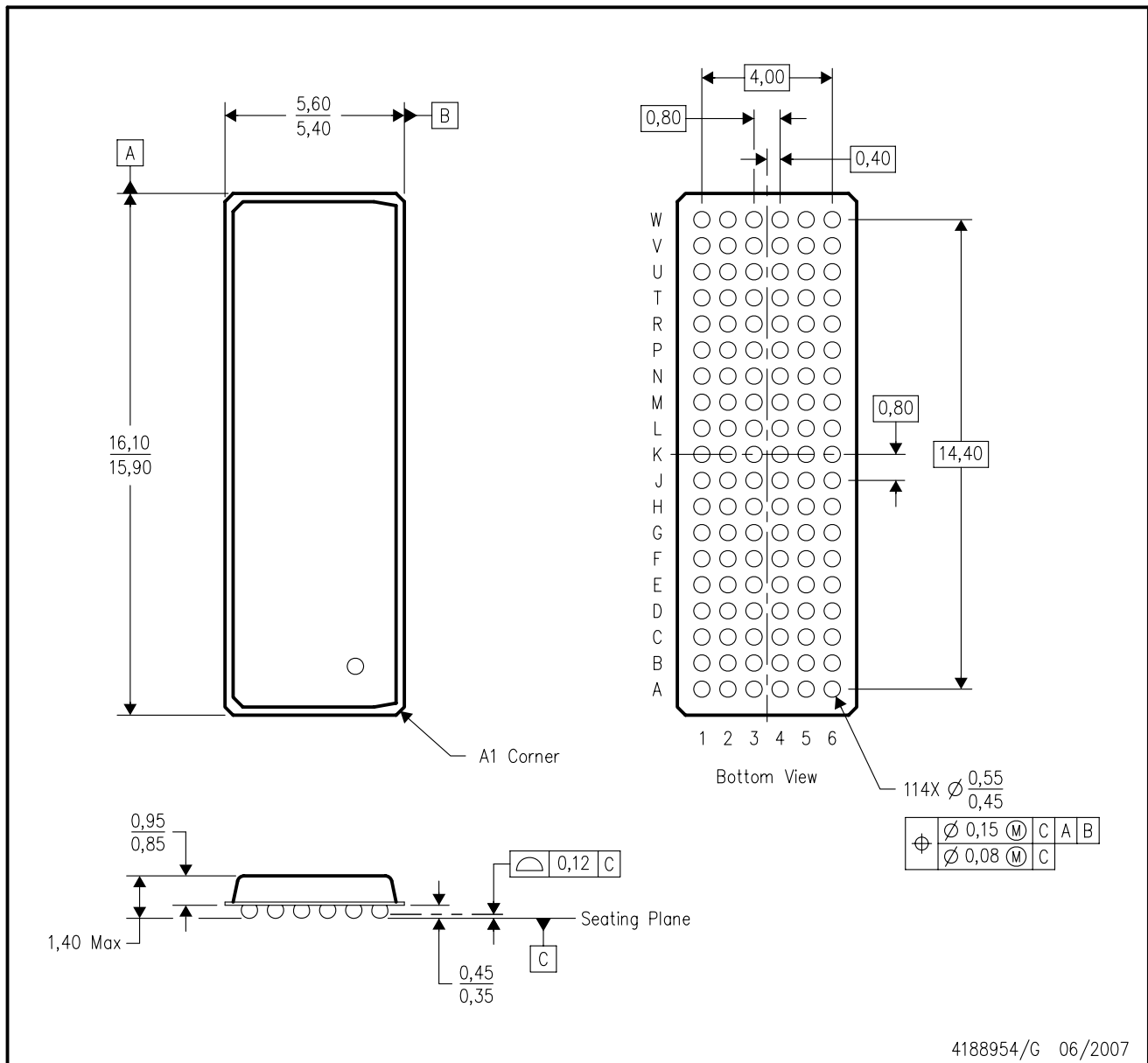


*All dimensions are nominal

Device	Package Type	Package Drawing	Pins	SPQ	Length (mm)	Width (mm)	Height (mm)
SN74LV4320AGKFR	BGA MICROSTAR	GKF	114	1000	336.6	336.6	41.3

GKF (R-PBGA-N114)

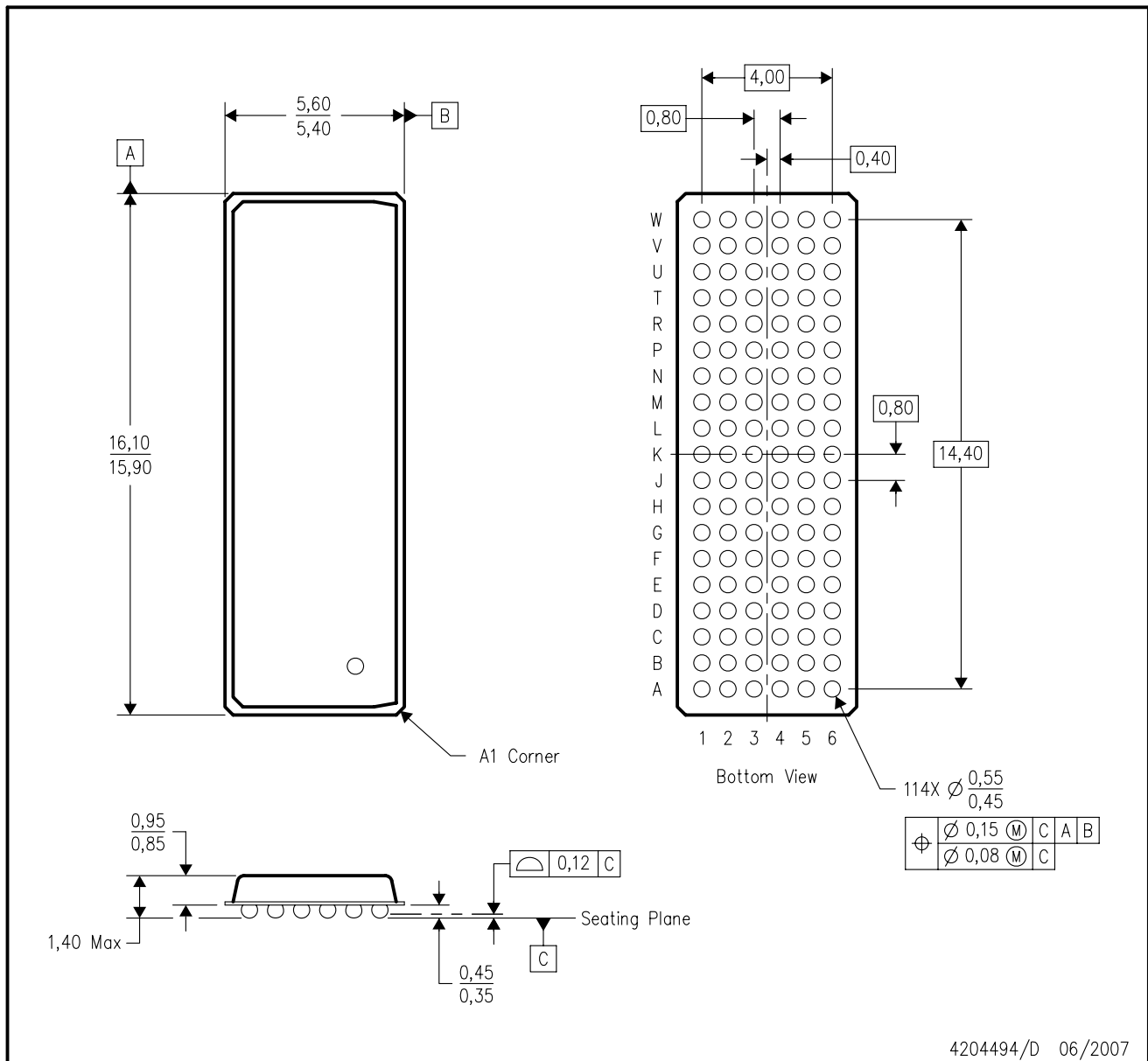
PLASTIC BALL GRID ARRAY



- NOTES:
- A. All linear dimensions are in millimeters. Dimensioning and tolerancing per ASME Y14.5M-1994.
 - B. This drawing is subject to change without notice.
 - C. Falls within JEDEC MO-205 variation DC.
 - D. This package is tin-lead (SnPb). Refer to the 114 ZKF package (drawing 4204494) for lead-free.

ZKF (R-PBGA-N114)

PLASTIC BALL GRID ARRAY



- NOTES:
- A. All linear dimensions are in millimeters. Dimensioning and tolerancing per ASME Y14.5M-1994.
 - B. This drawing is subject to change without notice.
 - C. Falls within JEDEC MO-205 variation DC.
 - D. This package is lead-free. Refer to the 114 GKF package (drawing 4188954) for tin-lead (SnPb).

IMPORTANT NOTICE

Texas Instruments Incorporated and its subsidiaries (TI) reserve the right to make corrections, enhancements, improvements and other changes to its semiconductor products and services per JESD46, latest issue, and to discontinue any product or service per JESD48, latest issue. Buyers should obtain the latest relevant information before placing orders and should verify that such information is current and complete. All semiconductor products (also referred to herein as "components") are sold subject to TI's terms and conditions of sale supplied at the time of order acknowledgment.

TI warrants performance of its components to the specifications applicable at the time of sale, in accordance with the warranty in TI's terms and conditions of sale of semiconductor products. Testing and other quality control techniques are used to the extent TI deems necessary to support this warranty. Except where mandated by applicable law, testing of all parameters of each component is not necessarily performed.

TI assumes no liability for applications assistance or the design of Buyers' products. Buyers are responsible for their products and applications using TI components. To minimize the risks associated with Buyers' products and applications, Buyers should provide adequate design and operating safeguards.

TI does not warrant or represent that any license, either express or implied, is granted under any patent right, copyright, mask work right, or other intellectual property right relating to any combination, machine, or process in which TI components or services are used. Information published by TI regarding third-party products or services does not constitute a license to use such products or services or a warranty or endorsement thereof. Use of such information may require a license from a third party under the patents or other intellectual property of the third party, or a license from TI under the patents or other intellectual property of TI.

Reproduction of significant portions of TI information in TI data books or data sheets is permissible only if reproduction is without alteration and is accompanied by all associated warranties, conditions, limitations, and notices. TI is not responsible or liable for such altered documentation. Information of third parties may be subject to additional restrictions.

Resale of TI components or services with statements different from or beyond the parameters stated by TI for that component or service voids all express and any implied warranties for the associated TI component or service and is an unfair and deceptive business practice. TI is not responsible or liable for any such statements.

Buyer acknowledges and agrees that it is solely responsible for compliance with all legal, regulatory and safety-related requirements concerning its products, and any use of TI components in its applications, notwithstanding any applications-related information or support that may be provided by TI. Buyer represents and agrees that it has all the necessary expertise to create and implement safeguards which anticipate dangerous consequences of failures, monitor failures and their consequences, lessen the likelihood of failures that might cause harm and take appropriate remedial actions. Buyer will fully indemnify TI and its representatives against any damages arising out of the use of any TI components in safety-critical applications.

In some cases, TI components may be promoted specifically to facilitate safety-related applications. With such components, TI's goal is to help enable customers to design and create their own end-product solutions that meet applicable functional safety standards and requirements. Nonetheless, such components are subject to these terms.

No TI components are authorized for use in FDA Class III (or similar life-critical medical equipment) unless authorized officers of the parties have executed a special agreement specifically governing such use.

Only those TI components which TI has specifically designated as military grade or "enhanced plastic" are designed and intended for use in military/aerospace applications or environments. Buyer acknowledges and agrees that any military or aerospace use of TI components which have **not** been so designated is solely at the Buyer's risk, and that Buyer is solely responsible for compliance with all legal and regulatory requirements in connection with such use.

TI has specifically designated certain components as meeting ISO/TS16949 requirements, mainly for automotive use. In any case of use of non-designated products, TI will not be responsible for any failure to meet ISO/TS16949.

Products

Audio	www.ti.com/audio
Amplifiers	amplifier.ti.com
Data Converters	dataconverter.ti.com
DLP® Products	www.dlp.com
DSP	dsp.ti.com
Clocks and Timers	www.ti.com/clocks
Interface	interface.ti.com
Logic	logic.ti.com
Power Mgmt	power.ti.com
Microcontrollers	microcontroller.ti.com
RFID	www.ti-rfid.com
OMAP Applications Processors	www.ti.com/omap
Wireless Connectivity	www.ti.com/wirelessconnectivity

Applications

Automotive and Transportation	www.ti.com/automotive
Communications and Telecom	www.ti.com/communications
Computers and Peripherals	www.ti.com/computers
Consumer Electronics	www.ti.com/consumer-apps
Energy and Lighting	www.ti.com/energy
Industrial	www.ti.com/industrial
Medical	www.ti.com/medical
Security	www.ti.com/security
Space, Avionics and Defense	www.ti.com/space-avionics-defense
Video and Imaging	www.ti.com/video

TI E2E Community

e2e.ti.com