

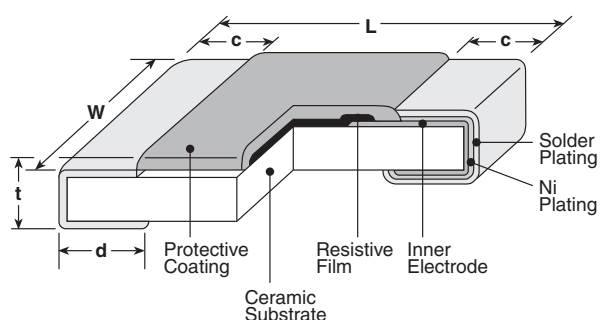
## 10-ohm 0.5%, 1%, 2%, 5% tolerance thick film current sense resistor



### features

- RuO<sub>2</sub> thick film resistor element
- Marking: 1H,1E: no marking on black protective coating  
2A~W3A: three or four digit marking on indigo protective coating; 1J: No marking
- Products with lead-free terminations meet EU RoHS requirements. EU RoHS regulation is not intended for Pb-glass contained in electrode, resistor element and glass.
- AEC-Q200 Qualified: 0402 (1E), 0603 (1J), 0805 (2A), 1206 (2B), 1210 (2E), 2010 (2H/W2H), 2512 (3A/W3A)

### dimensions and construction



Type (Inch Size Code)	Dimensions inches (mm)				
	L	W	c	d	t
<b>1H</b> (0201)	.024±.001 (0.6±0.03)	.012±.001 (0.3±0.03)	.004±.002 (0.1±0.05)	.006±.002 (0.15±0.05)	.009±.001 (0.23±0.03)
<b>1E</b> (0402)	.039 <sup>+0.04</sup> <sub>-.002</sub> (1.0 <sup>+0.1</sup> <sub>-.05</sub> )	.02 <sup>+0.04</sup> <sub>-.002</sub> (0.5 <sup>+0.1</sup> <sub>-.05</sub> )	.01±.004 (0.25±0.1)	.01±.004 (0.25±0.1)	.014±.002 (0.35±0.05)
<b>1J</b> (0603)	.063±.008 (1.6±0.2)	.031 <sup>+0.06</sup> <sub>-.004</sub> (0.8 <sup>+0.15</sup> <sub>-.01</sub> )	.014±.004 (0.35±0.1)	.014±.004 (0.35±0.1)	.018±.004 (0.45±0.1)
<b>2A</b> (0805)	.079±.008 (2.0±0.2)	.049±.004 (1.25±0.1)	.016±.008 (0.4±0.2)	.012 <sup>+0.08</sup> <sub>-.004</sub> (0.3 <sup>+0.2</sup> <sub>-.01</sub> )	.02±.004 (0.5±0.1)
<b>2B</b> (1206)	.126±.008 (3.2±0.2)	.063±.008 (1.6±0.2)	.02±.012 (0.5±0.3)	.016 <sup>+0.08</sup> <sub>-.004</sub> (0.4 <sup>+0.2</sup> <sub>-.01</sub> )	.024±.004 (0.6±0.1)
<b>2E</b> (1210)		.102±.008 (2.6±0.2)			
<b>2H</b> (2010)	.197±.008 (5.0±0.2)	.098±.008 (2.5±0.2)			
<b>W2H</b> (2010)				.026±.006 (0.65±0.15)	
<b>3A</b> (2512)	.248±.008 (6.3±0.2)	.122±.008 (3.1±0.2)		.016 <sup>+0.08</sup> <sub>-.004</sub> (0.4 <sup>+0.2</sup> <sub>-.01</sub> )	
<b>W3A</b> (2512)				.026±.006 (0.65±0.15)	

### ordering information

New Part #	SR73	2B	T	TD	1R00	F
Type		Size	Termination Material	Packaging	Nominal Resistance	Tolerance
		1H 1E 1J 2A 2B 2E W2H W3A 2H 3A	T: Sn L: SnPb (1E, 1J, 2A, 2B, 2E, 2H, 3A) G: Au (2A: 0.1Ω - 10Ω - contact factory)	TCM: 0201 only: 7" 2mm pitch pressed paper TPL:0402 only: 2mm pitch punch paper TP: 0402, 0603, 0805: 7" 2mm pitch punch paper TD: 0603, 0805, 1206, 1210: 7" 4mm pitch punched paper TDD: 0603, 0805, 1206, 1210: 10" paper tape TE: 0805, 1206, 1210, 2010 & 2512: 7" embossed plastic TED: 0805, 1206, 1210, 2010 & 2512: 10" embossed plastic For further information on packaging, please refer to Appendix A	±2%, ±5%: 2 significant figures + 1 multiplier "R" indicates decimal on value <10Ω ±1%: 3 significant figures + 1 multiplier "R" indicates decimal on value <100Ω All values less than 0.1Ω (100mΩ) are expressed in mΩ with "L" as decimal Example: 20mΩ = 20L (3-digit)	D: ±0.5% F: ±1% G: ±2% J: ±5%

Specifications given herein may be changed at any time without prior notice. Please confirm technical specifications before you order and/or use.

1/17/13

## applications and ratings

Part Designation*	Power Rating @ 70°C	T.C.R. (ppm/°C) Max.	Resistance Range				Absolute Maximum Working Voltage	Maximum Overload Voltage (5 Secs. Max.)	Operating Temperature Range
			E-24, E-96 (D±0.5%)	E-24, E-96 (F±1%)	E-24 (G±2%)	E-24 (J±5%)			
SR731H (0201)	0.1W	0 - ±500	—	—	—	0.18Ω - 0.24Ω	1.0V	2.5V	-55°C to +125°C
		0 - ±400		1Ω - 10Ω**		0.27Ω - 10Ω			
SR731E (0402)	1/8W (.125W) 1/6W (.166W')	±200	—	0.51Ω - 10Ω**	0.51Ω - 10Ω	0.51Ω - 10Ω	1.11V	2.79V	
		±250	—	0.22Ω - 0.47Ω**	0.22Ω - 0.47Ω	0.22Ω - 0.47Ω			
		±300	—	0.1Ω - 0.2Ω**	0.1Ω - 0.2Ω	0.1Ω - 0.2Ω			
SR731J (0603)	1/5W (.2W)	±200	—	0.1Ω - 10Ω	0.1Ω - 10Ω	0.1Ω - 10Ω	1.41V	3.53V	
SR732A (0805)	1/4W (.25W) 1/3W (.33W')	±100	0.15Ω - 10Ω	0.1Ω - 10Ω	—	—	1.58V	3.95V	
		±200	—	—	0.1Ω - 10Ω	0.1Ω - 10Ω			
		±500	—	—	—	0.051Ω - 0.091Ω			
		±800	—	—	—	0.030Ω - 0.047Ω			
SR732B (1206)	1/3W (.33W) 1/2W (.5W')	±100	0.15Ω - 10Ω	0.1Ω - 10Ω	—	—	1.81V	4.54V	
		±200	—	—	0.1Ω - 10Ω	0.1Ω - 10Ω			
		±500	—	—	—	0.056Ω - 0.091Ω			
		±800	—	—	—	0.030Ω - 0.051Ω			
SR732E (1210)	1/2W (.5W) 2/3W (.66W')	±100	—	0.1Ω - 10Ω	—	—	2.23V	5.59V	
		±200	—	—	0.1Ω - 10Ω	0.047Ω - 10Ω			
		±500	—	—	—	0.036Ω - 0.043Ω			
		±1000	—	—	—	0.024Ω - 0.033Ω			
SR732H/W2H <sup>2</sup> (2010)	3/4W (.75W)	±100	—	0.1Ω - 10Ω	—	—	2.73V	6.84V	
		±200	—	—	0.1Ω - 10Ω	0.1Ω - 10Ω			
		±500	—	—	—	0.056Ω - 0.091Ω			
		±800	—	—	—	0.033Ω - 0.051Ω			
SR733A/W3A (2512)	1W	±100	—	0.1Ω - 10Ω	—	—	3.16V	7.90V	
		±200	—	—	0.1Ω - 10Ω	0.1Ω - 10Ω			
		±500	—	—	—	0.056Ω - 0.091Ω			
		±800	—	—	—	0.039Ω - 0.051Ω			

\* Parentheses indicate EIA package size codes.

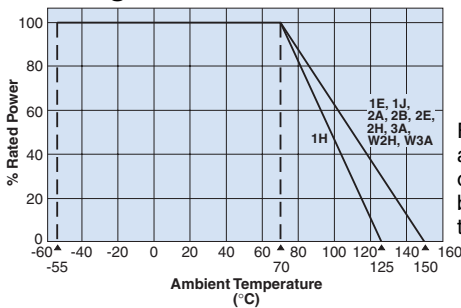
\*\* 1H, 1E (F: ±1%) E-24 values only.

<sup>1</sup> Please contact factory for limitation of Surface Mount Temperature Rise.

<sup>2</sup> SR73W3AS (2010 size, 1 Watt) with limited Resistance Range - contact factory for details.

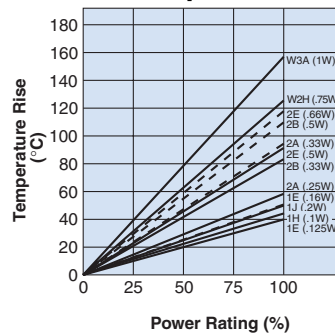
## environmental applications

### Derating Curve



For resistors operated at an ambient temperature of 70°C or above, a power rating shall be derated in accordance with the above derating curve.

### Surface Temperature Rise



Regarding the temperature rise, the value of the temperature varies per conditions and board for use since the temperature is measured under our measuring conditions.

## Performance Characteristics

Parameter	Requirement $\Delta R \pm(\%+0.05\Omega)$		Test Method
	Limit	Typical	
Resistance	Within specified tolerance	—	25°C
T.C.R.	Within specified T.C.R.	—	+25°C/-55°C and +25°C/+125°C
Overload (Short time)	±2%	±0.5%	Rated Voltage x 2.5 for 5 seconds
Resistance to Solder Heat	1H: ±3%, 1E-W3A: ±1%	1H: ±0.75% 1E-W3A: ±0.3%	260°C ± 5°C, 10 seconds ± 1 second
Rapid Change of Temperature	±1%	±0.3%	-40°C (30 minutes), +125°C (30 minutes), 100 cycles
Moisture Resistance	1H: ±3% 1E-W3A: ±2%	±1%	40°C ± 2°C, 90%-95% RH, 1000 hours, 1.5 hr ON, 0.5 hr OFF cycle
Endurance at 70°C	1H: ±3% 1E-W3A: ±2%	±1%	70°C ± 2°C, 1000 hours, 1.5 hr ON, 0.5 hr OFF cycle
High Temperature Exposure	±1%	±0.3%	1H: +125°C, 1000 hours; 1E, 1J, 2A, 2B, 2E, W2H, W3A: +150°C, 1000 hours

Specifications given herein may be changed at any time without prior notice. Please confirm technical specifications before you order and/or use.

12/17/12